



Profit from the Eagle Advantage®

Specification Sheet

Short Form Specifications

Eagle Deluxe Service Mates Buffet Hot Food Table, model _____. Polished stainless steel top with black vinyl on steel body. Individual heat wells with recessed controls, 500 watt – 120 volt or 750 watt – 240 volt. Clear Tuffak® sneezeguard. Portable units feature black vinyl base and 4" swivel casters, two with brakes. Tabletop units feature adjustable feet for mounting onto tabletop.

Eagle Deluxe Service Mates Portable Buffet Cold Pan Unit, model _____. Polished stainless steel insulated ice cold pan, 6" deep with black vinyl on steel body. Clear Tuffak® sneezeguard. Portable units feature black vinyl base and 4" swivel casters, two with brakes. Tabletop units feature adjustable feet for mounting onto tabletop.



portable buffet hot food table



tabletop buffet cold pan table

Options / Accessories (see back page of EG30.16B)

- Fluorescent lights
- Vinyl skirts*
- Stainless steel skirts*
- Tray shelves
- Undershelf*
- Infrared bullet lamps
- Wood trimmed sneeze guards
- Stainless steel liners
- Stainless steel body upgrade
- 1000W heaters (for 240V units)

* For portable units

EAGLE GROUP

100 Industrial Boulevard, Clayton, DE 19938-8903 USA

Phone: 302-653-3000 • Fax: 302-653-2065

www.eaglegrp.com

Foodservice Division: Phone 800-441-8440

MHC/Retail Display Divisions: Phone 800-637-5100

For custom configuration or fabrication needs, contact our SpecFAB® Division.

Phone: 302-653-3000 • Fax: 302-653-3091 • e-mail: specfab@eaglegrp.com

Item No.: _____
 Project No.: _____
 S.I.S. No.: _____

Deluxe Service Mates— Buffet Hot Food and Cold Pan Units

MODELS:

- BPDHT2-120
- BPDHT2-240*
- BPDHT3-120
- BPDHT3-240*
- BPDHT4-120
- BPDHT4-240*
- CDHT4-120
- CDHT2-120
- CDHT2-240*
- CDHT3-120
- CDHT3-240*
- CDHT4-240*
- BPCP-2
- BPCP-3
- BPCP-4
- CCP-2
- CCP-3
- CCP-4

* Available in three-phase. To order, add suffix "-3". Example: BPDHT3-240-3

Portable Buffet Hot Food Tables

- Clear Tuffak® sneeze guard.
- Polished 22 gauge type 430 stainless steel top.
- Black vinyl-clad 22 gauge steel body.
- Black vinyl-clad 18 gauge steel base.
- Individual heat wells with separate controls.
- 4" (102mm) swivel casters, two with brake.
- 22⁵/₁₆" (573mm) front-to-back**, 52³/₄" (1340mm) height.

Tabletop Buffet Hot Food Tables

- Clear Tuffak® sneeze guard.
- Polished 22 gauge type 430 stainless steel top.
- Black vinyl-clad 22 gauge steel body.
- Individual control for each well.
- Adjustable feet for mounting on tabletop.
- 22⁵/₁₆" (573mm) front-to-back**, 34⁵/₈" (880mm) height.

Portable Buffet Cold Food Tables

- Clear Tuffak® sneeze guard.
- Polished 20 gauge type 304 stainless steel insulated ice type cold pan.
- Black vinyl-clad 22 gauge steel body.
- Black vinyl-clad 18 gauge steel base.
- 4" (102mm) swivel casters, two with brake.
- 22⁵/₁₆" (573mm) front-to-back**, 52³/₄" (1340mm) height.

Tabletop Buffet Cold Food Tables

- Clear Tuffak® sneeze guard.
- Polished 20 gauge type 304 stainless steel insulated ice type cold pan.
- Black vinyl-clad 22 gauge steel body.
- Adjustable feet for mounting on tabletop.
- 22⁵/₁₆" (573mm) front-to-back**, 34⁵/₈" (880mm) height.

** Unit width only—does not include sneeze guard.

Certifications / Approvals (Buffet Hot Food Tables)



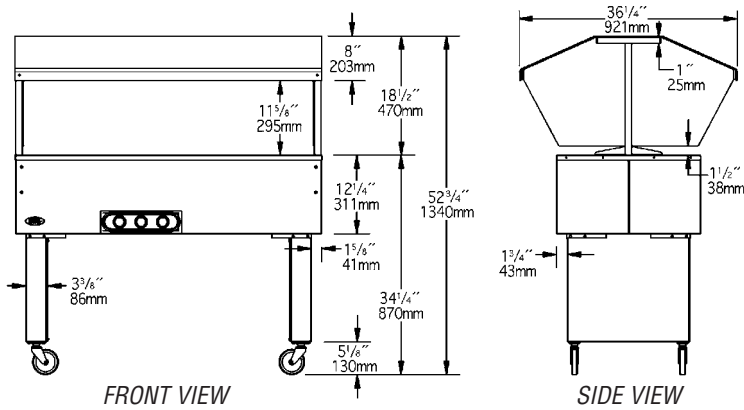
Spec sheets available for viewing, printing or downloading from our online literature library at www.eaglegrp.com

Eagle Foodservice Equipment, Eagle MHC, SpecFAB®, and Retail Display are divisions of Eagle Group. ©2011 by the Eagle Group



Item No.: _____
 Project No.: _____
 S.I.S. No.: _____

Deluxe Service Mates—Buffet Hot Food and Cold Pan Units



(note: 3-well portable buffet hot food table shown)

RECEPTACLE CONFIGURATIONS REQUIRED

15A 125V model # BPDHT2-120 BPDHT3-120 CDHT2-120 CDHT3-120	15A 250V model # BPDHT2-240 BPDHT3-240 CDHT2-240 CDHT3-240	20A 250V model # BPDHT4-240 CDHT4-240	30A 125V model # BPDHT4-120 CDHT4-120	all three-phase models
furnished with NEMA 5-15 plug	furnished with NEMA 6-15 plug	furnished with NEMA 6-20 plug	furnished with NEMA 5-30 plug	furnished with NEMA 15-20 plug

Portable Buffet Hot Food Tables

SINGLE-PHASE		THREE-PHASE		# of openings	electrical data	length		weight	
amps	model #	amps	model #			in.	mm	lbs.	kg
8.3A	BPDHT2-120	n/a		2	1000W, 120V	33"	838	212	96.2
6.25A	BPDHT2-240	6.9A	BPDHT2-240-3	2	1500W, 240V	33"	838	212	96.2
12.5A	BPDHT3-120	n/a		3	1500W, 120V	48"	1219	264	119.8
9.4A	BPDHT3-240	6.9A	BPDHT3-240-3	3	2250W, 240V	48"	1219	264	119.8
16.7A	BPDHT4-120	n/a		4	2000W, 120V	63 1/2"	1613	312	141.5
12.5A	BPDHT4-240	10.5A	BPDHT4-240-3	4	3000W, 240V	63 1/2"	1613	312	141.5

Note: 240-volt units also available in 208 volt. To order, replace suffix "-240" with suffix "-208". Example: BPDHT3-208

Tabletop Buffet Hot Food Tables

SINGLE-PHASE		THREE-PHASE		# of openings	electrical data	length		weight	
amps	model #	amps	model #			in.	mm	lbs.	kg
8.3A	CDHT2-120	n/a		2	1000W, 120V	33"	838	149	67.6
6.25A	CDHT2-240	6.9A	CDHT2-240-3	2	1500W, 240V	33"	838	149	67.6
12.5A	CDHT3-120	n/a		3	1500W, 120V	48"	1219	189	85.7
9.4A	CDHT3-240	6.9A	CDHT3-240-3	3	2250W, 240V	48"	1219	189	85.7
16.7A	CDHT4-120	n/a		4	2000W, 120V	63 1/2"	1613	234	106.1
12.5A	CDHT4-240	10.5A	CDHT4-240-3	4	3000W, 240V	63 1/2"	1613	234	106.1

Note: 240-volt units also available in 208 volt. To order, replace suffix "-240" with suffix "-208". Example: CDHT3-208

Buffet Cold Pan Units

Portable				Tabletop							
weight		height		model #	weight		height		model #	length	
lbs.	kg	in.	mm		lbs.	kg	in.	mm		in.	mm
167	75.8	52 3/4"	1337	BPCP-2	137	62.1	34 3/4"	880	CCP-2	33"	838
203	92.1	52 3/4"	1337	BPCP-3	157	71.2	34 3/4"	880	CCP-3	48"	1219
240	108.9	52 3/4"	1337	BPCP-4	188	85.3	34 3/4"	880	CCP-4	63 1/2"	1613

EAGLE GROUP
 100 Industrial Boulevard, Clayton, DE 19938-8903 USA
 Phone: 302-653-3000 • Fax: 302-653-2065
 www.eaglegrp.com

Foodservice Division: Phone 800-441-8440
 MHC/Retail Display Divisions: Phone 800-637-5100

Printed in U.S.A.
 ©2011 by Eagle Group
 Rev. 05/11

Spec sheets available for viewing, printing or downloading from our online literature library at www.eaglegrp.com

Although every attempt has been made to ensure the accuracy of the information provided, we cannot be held responsible for typographical or printing errors. Information and specifications are subject to change without notice. Please confirm at time of order.