



Profit from the Eagle Advantage®

Specification Sheet

Short Form Specifications

Eagle RedHots® Built-In Heated Drawer, model _____ . Heavy duty stainless steel construction with 1½" fiberglass insulation. Stainless steel drawer liners are 12" x 20" x 6½" deep and will accept standard steam table pans. Each drawer features individual heater, recessed thermostat control, thermometer and indicator light. Adjustable louver to retain product moisture.



2-drawer built-in model

Options / Accessories

- Perforated well pan bottom

Item No.: _____
Project No.: _____
S.I.S. No.: _____

RedHots® Heated Drawers —Built-In Units

MODELS:

- | | | |
|--------------------------------------|--------------------------------------|--------------------------------------|
| <input type="checkbox"/> DWW-1BI-120 | <input type="checkbox"/> DWW-2BI-120 | <input type="checkbox"/> DWW-3BI-120 |
| <input type="checkbox"/> DWW-1BI-240 | <input type="checkbox"/> DWW-2BI-240 | <input type="checkbox"/> DWW-3BI-240 |
| <input type="checkbox"/> DWN-1BI-120 | <input type="checkbox"/> DWN-2BI-120 | <input type="checkbox"/> DWN-3BI-120 |
| <input type="checkbox"/> DWN-1BI-240 | <input type="checkbox"/> DWN-2BI-240 | <input type="checkbox"/> DWN-3BI-240 |

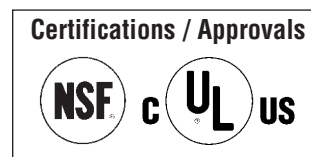
Design and Construction Features

- All drawer liners are 12" x 20" x 6½" deep (305 x 508 x 165mm).
- Standard 1-, 2-, or 3-drawer models.
- Individual recessed thermostat control and indicator lamp for each drawer.
- Heating element configuration heats quickly and evenly from 100° to 200°F.
- Adjustable louvers on each drawer retain ideal product moisture levels.
- Drawers are interchangeable.
- Drawers include stainless steel liners that accept standard full-size and fractional steam table pans up to 6" (152mm) deep.
- Units are provided with 4' (1219mm) flexible steel conduit and wiring.
- NSF and UL approved.
- Freestanding units available—see spec sheet #EG35.15.

EAGLE GROUP
100 Industrial Boulevard, Clayton, DE 19938-8903 USA
Phone: 302-653-3000 • Fax: 302-653-2065
www.eaglegrp.com

Foodservice Division: Phone 800-441-8440
MHC/Retail Display Divisions: Phone 800-637-5100

For custom configuration or fabrication needs, contact our **SpecFAB® Division**.
Phone: 302-653-3000 • Fax: 302-653-3091 • e-mail: specfab@eaglegrp.com



EG35.16 Rev. 01/10

Spec sheets available for viewing, printing or downloading from our online literature library at www.eaglegrp.com

Eagle Foodservice Equipment, Eagle MHC, SpecFAB®, and Retail Display are divisions of Eagle Group. ©2010 by the Eagle Group

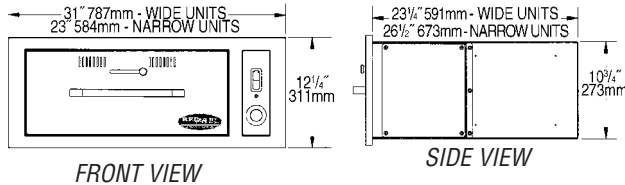


Profit from the Eagle Advantage®

Item No.: _____
 Project No.: _____
 S.I.S. No.: _____

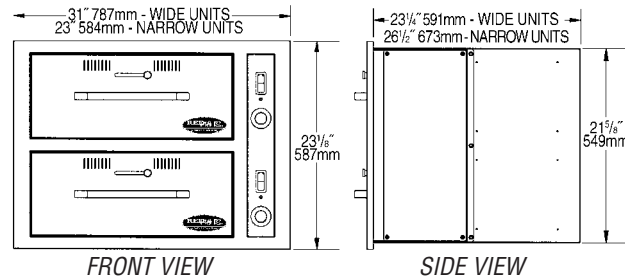
RedHots® Heated Drawers—Built-In Units

1-Drawer Units



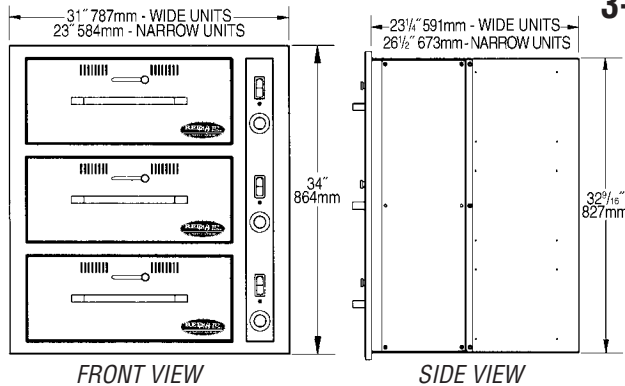
model #	overall dimensions		electrical data
	width x depth x height inches	mm	
WIDE UNITS			
DWW-1BI-120	29 1/4" x 23 3/8" x 10 1/4"	756 x 606 x 276	120V, 3.75A, 450W
DWW-1BI-240	29 1/4" x 23 3/8" x 10 1/4"	756 x 606 x 276	240V, 1.88A, 450W
NARROW UNITS			
DWN-1BI-120	21 1/4" x 26 5/8" x 10 1/4"	553 x 676 x 276	120V, 3.75A, 450W
DWN-1BI-240	21 1/4" x 26 5/8" x 10 1/4"	553 x 676 x 276	240V, 1.88A, 450W

2-Drawer Units

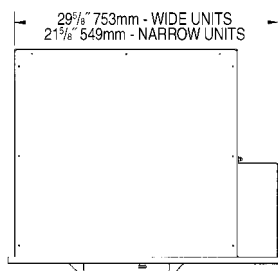


model #	overall dimensions		electrical data
	width x depth x height inches	mm	
WIDE UNITS			
DWW-2BI-120	29 1/4" x 23 3/8" x 21 1/4"	756 x 606 x 553	120V, 7.5A, 900W
DWW-2BI-240	29 1/4" x 23 3/8" x 21 1/4"	756 x 606 x 553	240V, 3.75A, 900W
NARROW UNITS			
DWN-2BI-120	21 1/4" x 26 5/8" x 21 1/4"	533 x 676 x 553	120V, 7.5A, 900W
DWN-2BI-240	21 1/4" x 26 5/8" x 21 1/4"	533 x 676 x 553	240V, 3.75A, 900W

3-Drawer Units



model #	overall dimensions		electrical data
	width x depth x height inches	mm	
WIDE UNITS			
DWW-3BI-120	29 1/4" x 23 3/8" x 32 1/4"	756 x 606 x 829	120V, 11.25A, 1350W
DWW-3BI-240	29 1/4" x 23 3/8" x 32 1/4"	756 x 606 x 829	240V, 5.63A, 1350W
NARROW UNITS			
DWN-3BI-120	21 1/4" x 26 5/8" x 32 1/4"	553 x 676 x 829	120V, 11.25A, 1350W
DWN-3BI-240	21 1/4" x 26 5/8" x 32 1/4"	553 x 676 x 829	240V, 5.63A, 1350W



TOP VIEW OF ALL UNITS

EAGLE GROUP
 100 Industrial Boulevard, Clayton, DE 19938-8903 USA
 Phone: 302-653-3000 • Fax: 302-653-2065
 www.eaglegrp.com

Foodservice Division: Phone 800-441-8440
 MHC/Retail Display Divisions: Phone 800-637-5100

Printed in U.S.A.
 ©2010 by Eagle Group

Rev. 01/10

Spec sheets available for viewing, printing or downloading from our online literature library at www.eaglegrp.com

Although every attempt has been made to ensure the accuracy of the information provided, we cannot be held responsible for typographical or printing errors. Information and specifications are subject to change without notice. Please confirm at time of order.