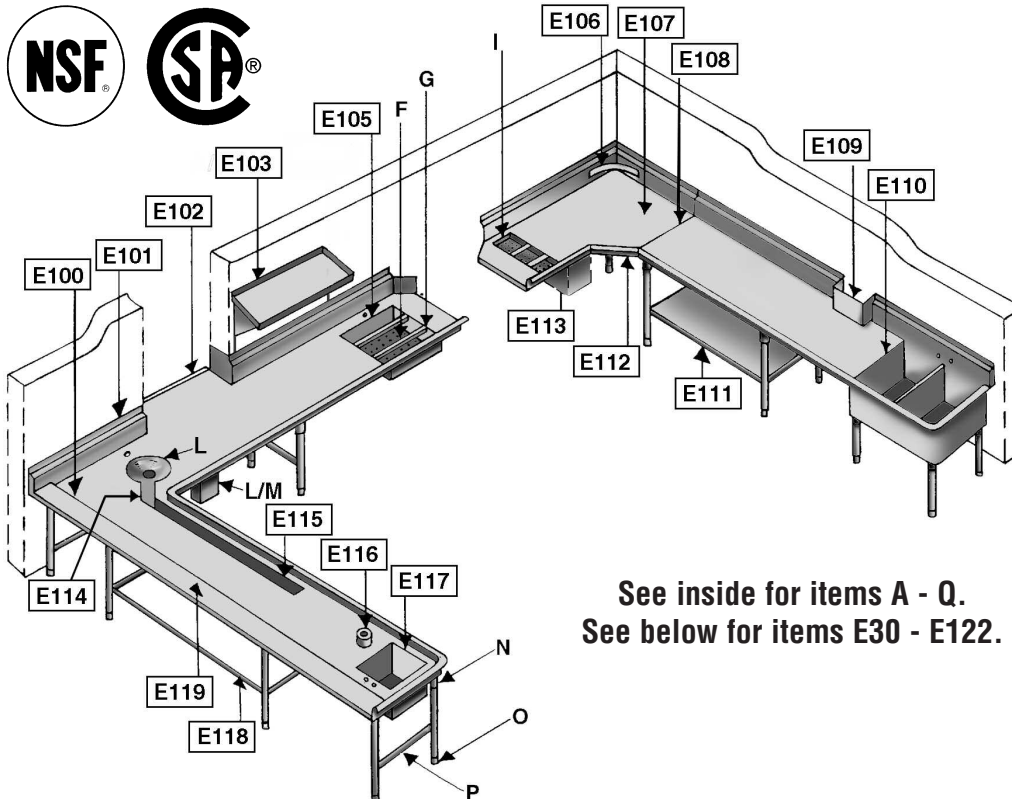


Foodservice Equipment • Material Handling, Healthcare & Cleanroom Equipment • Retail Display

## Dishtable Modification and Accessories

Item #: \_\_\_\_\_  
Model #: \_\_\_\_\_  
Project #: \_\_\_\_\_  
SIS #: \_\_\_\_\_



See inside for items A - Q.  
See below for items E30 - E122.

Model #	Qty.
E100	
E101	
E101A	
E102	
E103	
E104	
E105	
E106	
E107	
E108	
E109	
E110	
E111	
E112	
E113	
E114	
E115	
E116	
E117	
E118	
E119	
E120	
E121	
E122	

model #	description
E30	End splash – per end (specify end), all heights
E42	End splash on sink or drainboard
E100	Additional length, NSF construction
E101	Splash 10" (203mm) high
E101A	Turn down back splash (per table), includes Z-clips
E102	Pass-thru maximum 12" (305mm) wide
E103	Rack shelf, table mounted through back splash, 30° slope for 20" x 20" (508 x 508mm) complete with drain tube
E105	Prerinse sinks with faucet hole and basket waste - 20" x 20" x 5" (508 x 508 x 127mm)
E106	Rack guide, curved, 2" x 1/4" (51 x 6mm) stainless steel flat bar
E107	Corner turn, 90°
E108	Field joint, bolted or ready for field welding by others
E109	Cutout for pipes, columns, etc.
E110	Sink, 24" x 26 1/2" x 14" (610 x 673 x 356mm)
E111	Undershelving, stainless steel

model #	description
E112	Mitered corner
E113	Brackets for booster heaters (installation only; brackets by others)
E114	Mitered scrapping trough
E115	Scrapping trough, 6" (152mm) wide x 4" (102mm) deep - welded to cone
E116	Rubber scrap block installed
E117	Soak sink, 16" x 19" x 13 1/2" (406 x 483 x 343mm) with basket drain and faucet
E118	Crossbracing running left to right, knockdown style - stainless steel
E118A	Crossbracing running left to right, knockdown style - galvanized
E119	Landing shelf, 12" (305mm) wide integral with top
E120	Table limit switch provision (switch by others)
E121	NSF sprayed-on latex sound deadening
E122	Punching faucet holes for deck-mount faucets on 8" (203mm) centers behind prerinse sink

Spec sheets available for viewing, printing or downloading from our online literature library at [www.eaglegrp.com](http://www.eaglegrp.com)

### F Scrap Basket

Improves prerinse efficiency. This model features all-16 gauge stainless steel construction. Tabs provide proper height and basket drainage.

shipping wt.		model #
lbs.	kg	
15	6.8	301630



scrap basket

Item #:	_____
Model #:	_____
Project #:	_____
SIS #:	_____

Model #	Qty.
F	
G	
H	
I	
J	

### G Rack Slide

A must for any prerinse operation. 16 gauge construction.

shipping wt.		model #
lbs.	kg	
4	1.8	301124



rack slides

### H Prerinse Basket with Slide Bar

An all-in-one combination.

shipping wt.		model #
lbs.	kg	
3	1.4	606434

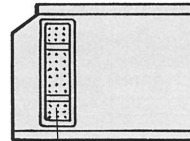


prerinse basket with slide bar

### I Scrap Trough

5" (127mm) wide and 2" (51mm) deep with a 1½" (38mm) center drain opening. Removable basket with handles. All stainless steel construction.

shipping wt.		model #
lbs.	kg	
13	5.8	scrap trough



scrap trough

### J Deck-Mount Prerinse Units...

Features temperature adjustment for hot water with preset cold water adjustment for anti-scald protection.

#### ...Standard prerinse Components

description	model #
deck mounted spray unit	300718
wall bracket	301190
faucet add-on with 12" (305mm) spout	301189

#### ...T&S extra heavy duty prerinse Components

Top-of-the-line.

description	model #
deck mounted spray unit with wall bracket	313295
faucet add-on with 12" (305mm) spout	313297



deck mounted prerinse unit



### Q Sink Covers

18 gauge stainless steel with holes provided for handling.

width x length		shipping weight		model #
in.	mm	lbs.	kg	
20" x 20"	508 x 508	11	5.0	305428
16" x 19"	406 x 483	10	4.5	305429

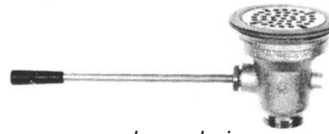


sink covers

Item #:	_____
Model #:	_____
Project #:	_____
SIS #:	_____

### R Lever Drains

description	model #
1.5" (38mm) IPS connection	300720
2" (51mm) IPS connection	300721



lever drain

### S Anti-Siphon Breaker

model #
313832

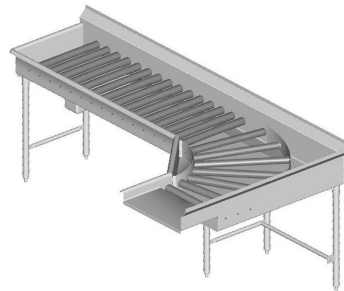


anti-siphon breaker

### T PVC Rollers

2" (51mm) diameter. Free-wheel. For 14/304 dishtables only. For ease of sliding dish racks. For stainless steel rollers, contact factory. Three rollers required for every 12" (305mm). Example: For a 6' (1829mm) table, at the required three per foot: 6' table x 3 per foot = 18 rollers needed.

length		shipping weight		model #
in.	mm	lbs.	kg	
24"	610	3	1.4	DTRA-24



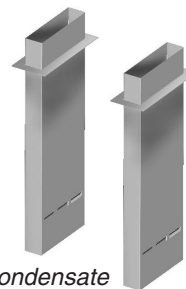
corner dishtable with optional 6" (152mm) rollers

### U Dishwasher Condensate Vents, DVS Series

Mounts to dishwasher end vents. Seams are continuously liquid-tight. Heavy gauge type 304 stainless steel.

width x length x height*			weight		model #
in.	mm	mm	lbs.	kg	
4" x 16" x 48"	102 x 406 x 1219	60	27.2	DVS-48	
4" x 16" x 60"	102 x 406 x 1524	75	34.0	DVS-60	
4" x 16" x 72"	102 x 406 x 1829	90	40.8	DVS-72	

\* If you have other size requirements, please call the factory.



condensate vents

### V Dishwasher Condensate and Type II Hoods, HDC Series

**NSF (NFPA-96)** for Type II)

12" x 12" (305 x 305mm) collar opening for exhaust connection.

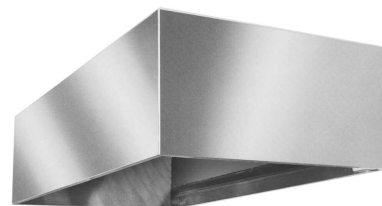
20" (508mm) height. All stainless steel construction.

Full perimeter gutter and drain tube located to the left.

Note: For Type II applications, optional filter is required.

width x length*		weight		model #
in.	mm	lbs.	kg	
36" x 36"	914 x 914	105	47.6	HDC3636
36" x 42"	914 x 1067	115	52.2	HDC3642
36" x 48"	914 x 1219	125	56.7	HDC3648
42" x 42"	1067 x 1067	135	61.2	HDC4242
48" x 48"	1219 x 1219	150	68.0	HDC4848

\* If you have other size requirements, please call the factory.



condensate hoods

Model #	Qty.
Q	
R	
S	
T	
U	
V	