



Profit from the Eagle Advantage®

Specification Sheet

Short Form Specifications

Eagle Spec-Master® One-Compartment Sinks, model _____ . Unit constructed of 14/304, 18-8 stainless steel throughout. Sink bowls covered with a full 5/8" radius, and shall have a 14" water level. Drainboards, when required, shall be "V" creased for positive drainage. 9 1/2" high backsplash with 1" upturn and tile edge. Legs to be 1 1/2" O.D., stainless steel, with stainless steel gussets, stainless steel crossbracing and adjustable stainless steel bullet feet.



one-compartment FN sink

Options / Accessories

- Lever drain
- Lever drain with overflow
- Twist handle drains
- Overflow hole
- Sink kits
- Faucets
- Polyboard sink covers
- Stainless steel sink covers

Assembly:

- Entire assembly is fuse-welded and planished, providing a one-piece seamless sink unit.
- Welded areas are high-speed belt blended to match adjacent surfaces with continuity of satin finish.
- All outside corners of assembly are bullnosed to provide safe, clean edges.
- Water supply is 1/2" (13mm) IPS for hot and cold lines.

EAGLE GROUP

100 Industrial Boulevard, Clayton, DE 19938-8903 USA
Phone: 302-653-3000 • Fax: 302-653-2065
www.eaglegrp.com

Foodservice Division: Phone 800-441-8440

MHC/Retail Display Divisions: Phone 800-637-5100

For custom configuration or fabrication needs, contact our SpecFAB® Division.

Phone: 302-653-3000 • Fax: 302-653-3091 • e-mail: specfab@eaglegrp.com

Item No.: _____
 Project No.: _____
 S.I.S. No.: _____

Spec-Master® FN Series Coved Corner One-Compartment Sinks

MODELS:

- FN2016-1-*
- FN2018-1-*
- FN2020-1-*
- FN2424-1-*
- FN2820-1-*

* See chart on back for complete model numbers.

Top:

- Drainboards, backsplash and rolled rims are 14 gauge type 304 stainless steel.
- Drainboards, when provided, are integrally welded.
- All rolled edges are highlighted for enhanced appearance.
- 9 1/2" high backsplash with 1" upturn and tile edge.
- 1 1/2" (29mm) faucet holes punched on 8" (203mm) centers.

Base:

- Legs: 1 1/2" (41mm)-diameter stainless steel tubing with stainless steel gussets and fully adjustable stainless steel bullet feet.
- Crossbracing: Adjustable, 1 1/4" (32mm)-diameter stainless steel; running left-to-right and front-to-back.
- Leg locations fall directly under sink bowl, providing increased stability and maximum weight support.
- Leg gussets welded to a die-cut heavy-gauge stainless steel reinforcing corner plate.
- Legs are crossbraced on all sides for increased stability.

Sink Bowl:

- 14 gauge type 304 stainless steel.
- 14" (356mm) water level, 17" (432mm) flood level.
- Sink compartment coved on a full 5/8" (41mm) radius and constructed using state-of-the-art seamless welding techniques.
- Basket-type waste drain fits sink bowl's 3 1/2" (89mm) opening and features 1 1/2" (38mm) outlet.

Certifications / Approvals



EG20.32 Rev. 04/10

Spec sheets available for viewing, printing or downloading from our online literature library at www.eaglegrp.com

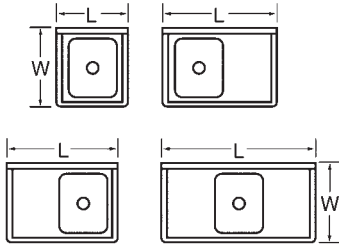
Eagle Foodservice Equipment, Eagle MHC, SpecFAB®, and Retail Display are divisions of Eagle Group. ©2010 by the Eagle Group



Profit from the Eagle Advantage®

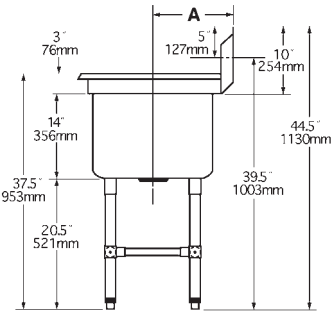
Item No.: _____
 Project No.: _____
 S.I.S. No.: _____

Spec-Master® FN Series Coved Corner One-Compartment Sinks



Drain location for rough-in

bowl width	bowl length	Dimension A	
in.	mm	in.	mm
20"	508	16"	406
20"	508	18"	457
20"	508	20"	508
24"	610	24"	610
28"	711	20"	508



model #	BOWL DIMENSIONS				quantity	DRAINBOARD		OVERALL DIMENSIONS				weight	
	width		length			length		width		length		lbs.	kg
	in.	mm	in.	mm		in.	mm	in.	mm	in.	mm		
FN2016-1-14/3	20"	508	16"	406	0	-	-	27"	686	21"	533	55	24.9
FN2016-1-18R or L-14/3	20"	508	16"	406	1	18"	457	27"	686	37 1/2"	953	74	30.8
FN2016-1-18-14/3	20"	508	16"	406	2	18"	457	27"	686	54"	1372	93	37.6
FN2016-1-24R or L-14/3	20"	508	16"	406	1	24"	610	27"	686	43 1/2"	1105	80	33.1
FN2016-1-24-14/3	20"	508	16"	406	2	24"	610	27"	686	66"	1676	105	42.1
FN2016-1-30R or L-14/3	20"	508	16"	406	1	30"	762	27"	686	49 1/2"	1257	85	38.6
FN2016-1-30-14/3	20"	508	16"	406	2	30"	762	27"	686	78"	1981	115	52.2
FN2016-1-36R or L-14/3	20"	508	16"	406	1	36"	914	27"	686	55 1/2"	1410	90	40.8
FN2016-1-36-14/3	20"	508	16"	406	2	36"	914	27"	686	90"	2286	125	56.7
FN2018-1-14/3	20"	508	18"	457	0	-	-	27"	686	23"	584	58	26.3
FN2018-1-18R or L-14/3	20"	508	18"	457	1	18"	457	27"	686	39 1/2"	1003	76	34.4
FN2018-1-18-14/3	20"	508	18"	457	2	18"	457	27"	686	56"	1422	96	43.5
FN2018-1-24R or L-14/3	20"	508	18"	457	1	24"	610	27"	686	45 1/2"	1156	81	36.7
FN2018-1-24-14/3	20"	508	18"	457	2	24"	610	27"	686	68"	1727	106	48.1
FN2018-1-30R or L-14/3	20"	508	18"	457	1	30"	762	27"	686	51 1/2"	1308	88	39.9
FN2018-1-30-14/3	20"	508	18"	457	2	30"	762	27"	686	90"	2032	118	53.5
FN2018-1-36R or L-14/3	20"	508	18"	457	1	36"	914	27"	686	57 1/2"	1464	93	42.2
FN2018-1-36-14/3	20"	508	18"	457	2	36"	914	27"	686	92"	2337	128	58.1
FN2020-1-14/3	20"	508	20"	508	0	-	-	27"	686	25"	635	60	27.2
FN2020-1-18R or L-14/3	20"	508	20"	508	1	18"	457	27"	686	41 1/2"	1054	79	35.8
FN2020-1-18-14/3	20"	508	20"	508	2	18"	457	27"	686	58"	1473	98	44.5
FN2020-1-24R or L-14/3	20"	508	20"	508	1	24"	610	27"	686	47 1/2"	1207	85	37.2
FN2020-1-24-14/3	20"	508	20"	508	2	24"	610	27"	686	70"	1778	110	48.5
FN2020-1-30R or L-14/3	20"	508	20"	508	1	30"	762	27"	686	53 1/2"	1359	90	40.8
FN2020-1-30-14/3	20"	508	20"	508	2	30"	762	27"	686	82"	2083	120	54.4
FN2020-1-36R or L-14/3	20"	508	20"	508	1	36"	914	27"	686	59 1/2"	1511	95	43.1
FN2020-1-36-14/3	20"	508	20"	508	2	36"	914	27"	686	94"	2388	130	59.0
FN2424-1-14/3	24"	610	24"	610	0	-	-	31"	787	29"	737	69	31.2
FN2424-1-18R or L-14/3	24"	610	24"	610	1	18"	457	31"	787	45 1/2"	1156	88	39.9
FN2424-1-18-14/3	24"	610	24"	610	2	18"	457	31"	787	62"	1575	107	48.5
FN2424-1-24R or L-14/3	24"	610	24"	610	1	24"	610	31"	787	51 1/2"	1308	88	37.6
FN2424-1-24-14/3	24"	610	24"	610	2	24"	610	31"	787	74"	1880	119	49.0
FN2424-1-30R or L-14/3	24"	610	24"	610	1	30"	762	31"	787	57 1/2"	1461	99	44.9
FN2424-1-30-14/3	24"	610	24"	610	2	30"	762	31"	787	86"	2184	129	58.5
FN2424-1-36R or L-14/3	24"	610	24"	610	1	36"	914	31"	787	63 1/2"	1613	104	47.2
FN2424-1-36-14/3	24"	610	24"	610	2	36"	914	31"	787	98"	2489	139	63.1
FN2820-1-14/3	28"	711	20"	508	0	-	-	35"	889	25"	635	79	35.8
FN2820-1-18R or L-14/3	28"	711	20"	508	1	18"	457	35"	889	41 1/2"	1054	98	44.5
FN2820-1-18-14/3	28"	711	20"	508	2	18"	457	35"	889	58"	1473	117	53.1
FN2820-1-24R or L-14/3	28"	711	20"	508	1	24"	610	35"	889	47 1/2"	1207	104	43.1
FN2820-1-24-14/3	28"	711	20"	508	2	24"	610	35"	889	70"	1778	129	55.3
FN2820-1-30R or L-14/3	28"	711	20"	508	1	30"	762	35"	889	53 1/2"	1359	109	49.4
FN2820-1-30-14/3	28"	711	20"	508	2	30"	762	35"	889	82"	2083	139	63.1
FN2820-1-36R or L-14/3	28"	711	20"	508	1	36"	914	35"	889	59 1/2"	1511	114	51.7
FN2820-1-36-14/3	28"	711	20"	508	2	36"	914	35"	889	94"	2388	149	67.6

EAGLE GROUP
 100 Industrial Boulevard, Clayton, DE 19938-8903 USA
 Phone: 302-653-3000 • Fax: 302-653-2065
 www.eaglegrp.com

Foodservice Division: Phone 800-441-8440
 MHC/Retail Display Divisions: Phone 800-637-5100

Printed in U.S.A.
 ©2010 by Eagle Group
 Rev. 04/10

Spec sheets available for viewing, printing or downloading from our online literature library at www.eaglegrp.com

Although every attempt has been made to ensure the accuracy of the information provided, we cannot be held responsible for typographical or printing errors. Information and specifications are subject to change without notice. Please confirm at time of order.