

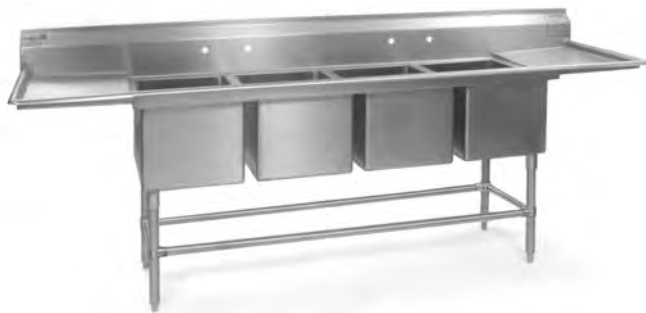


Profit from the Eagle Advantage®

Specification Sheet

Short Form Specifications

Eagle Spec-Master® Four-Compartment Sinks, model _____ . Unit constructed of 14/304, 18-8 stainless steel throughout. Sink bowls covered with a full 5/8" radius, and shall have a 14" water level. Drainboards, when required, shall be "V" creased for positive drainage. 9 1/2" high backsplash with 1" upturn and tile edge. Legs to be 1 1/2" O.D., stainless steel, with stainless steel gussets, stainless steel crossbracing and adjustable stainless steel bullet feet.



4-compartment sink

Options / Accessories

- Lever drain
- Lever drain with overflow
- Twist handle drains
- Overflow hole
- Sink kits
- Faucets
- Polyboard sink covers
- Stainless steel sink covers
- Skirted front panel

Assembly:

- Entire assembly is fuse-welded and planished, providing a one-piece seamless sink unit.
- Welded areas are high-speed belt blended to match adjacent surfaces with continuity of satin finish.
- All outside corners of assembly are bullnosed to provide safe, clean edges.
- Water supply is 1/2" (13mm) IPS for hot and cold lines.

EAGLE GROUP

100 Industrial Boulevard, Clayton, DE 19938-8903 USA
Phone: 302-653-3000 • Fax: 302-653-2065
www.eaglegrp.com

Foodservice Division: Phone 800-441-8440

MHC/Retail Display Divisions: Phone 800-637-5100

For custom configuration or fabrication needs, contact our SpecFAB® Division.

Phone: 302-653-3000 • Fax: 302-653-3091 • e-mail: specfab@eaglegrp.com

Item No.: _____
 Project No.: _____
 S.I.S. No.: _____

Spec-Master® FN Series Coved Corner Four-Compartment Sinks

MODELS:

- FN2064-4-*
- FN2072-4-*
- FN2080-4-*
- FN2496-4-*
- FN2880-4-*

* See table on back for complete model numbers.

Top:

- Drainboards, backsplash and rolled rims are 14 gauge type 304 stainless steel.
- Drainboards, when provided, are integrally welded.
- All rolled edges are highlighted for enhanced appearance.
- 9 1/2" high backsplash with 1" upturn and tile edge.
- 1 1/2" (29mm) faucet holes punched on 8" (203mm) centers.

Base:

- Legs: 1 1/2" (41mm)-diameter stainless steel tubing with stainless steel gussets and fully adjustable stainless steel bullet feet.
- Crossbracing: Adjustable, 1 1/4" (32mm)-diameter stainless steel; running left-to-right and front-to-back.
- Leg locations fall directly under sink bowls, providing increased stability and maximum weight support.
- Leg gussets welded to a die-cut heavy-gauge stainless steel reinforcing corner plate.
- Legs are crossbraced on all sides for increased stability.

Sink Bowls:

- 14 gauge type 304 stainless steel.
- 14" (356mm) water level, 17" (432mm) flood level.
- Sink compartments are coved on a full 5/8" (41mm) radius and constructed using state-of-the-art seamless welding techniques.
- Basket-type waste drain fits sink bowls' 3 1/2" (89mm) opening and features 1 1/2" (38mm) outlet.

Certifications / Approvals



EG20.35 Rev. 04/10

Spec sheets available for viewing, printing or downloading from our online literature library at www.eaglegrp.com

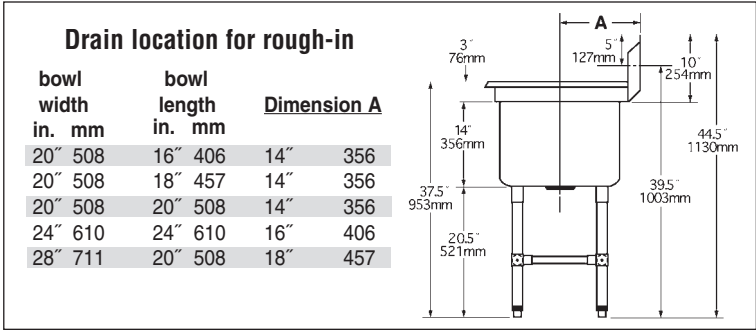
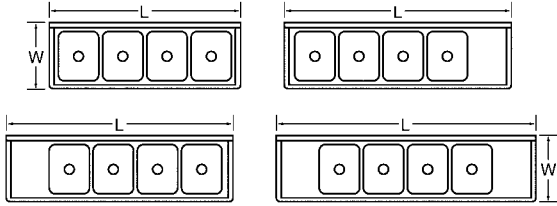
Eagle Foodservice Equipment, Eagle MHC, SpecFAB®, and Retail Display are divisions of Eagle Group. ©2010 by the Eagle Group



Profit from the Eagle Advantage®

Item No.: _____
 Project No.: _____
 S.I.S. No.: _____

Spec-Master® FN Series Covered Corner Four-Compartment Sinks



model #	BOWL DIMENSIONS				DRAINBOARD quantity	DRAINBOARD length		OVERALL DIMENSIONS				weight	
	width		length			in.	mm	width		length		lbs.	kg
	in.	mm	in.	mm		in.	mm	in.	mm	in.	mm		
FN2064-4-14/3	20"	508	16"	406	0	-	-	27"	686	75"	1905	121	54.9
FN2064-4-18R or L-14/3	20"	508	16"	406	1	18"	457	27"	686	91½"	2324	140	63.5
FN2064-4-18-14/3	20"	508	16"	406	2	18"	457	27"	686	108"	2743	159	72.1
FN2064-4-24R or L-14/3	20"	508	16"	406	1	24"	610	27"	686	97½"	2477	146	66.2
FN2064-4-24-14/3	20"	508	16"	406	2	24"	610	27"	686	120"	3048	171	77.6
FN2064-4-30R or L-14/3	20"	508	16"	406	1	30"	762	27"	686	104"	2642	151	68.5
FN2064-4-30-14/3	20"	508	16"	406	2	30"	762	27"	686	132"	3353	181	82.1
FN2064-4-36R or L-14/3	20"	508	16"	406	1	36"	914	27"	686	109½"	2781	166	75.3
FN2064-4-36-14/3	20"	508	16"	406	2	36"	914	27"	686	144"	3658	201	91.2
FN2072-4-14/3	20"	508	18"	457	0	-	-	27"	686	83"	2108	132	59.9
FN2072-4-18R or L-14/3	20"	508	18"	457	1	18"	457	27"	686	99½"	2527	151	68.5
FN2072-4-18-14/3	20"	508	18"	457	2	18"	457	27"	686	116"	2946	170	77.1
FN2072-4-24R or L-14/3	20"	508	18"	457	1	24"	610	27"	686	105½"	2680	157	71.2
FN2072-4-24-14/3	20"	508	18"	457	2	24"	610	27"	686	128"	3251	182	82.6
FN2072-4-30R or L-14/3	20"	508	18"	457	1	30"	762	27"	686	112"	2845	162	73.5
FN2072-4-30-14/3	20"	508	18"	457	2	30"	762	27"	686	140"	3556	192	87.1
FN2072-4-36R or L-14/3	20"	508	18"	457	1	36"	914	27"	686	117½"	2985	167	75.8
FN2072-4-36-14/3	20"	508	18"	457	2	36"	914	27"	686	152"	3861	202	91.6
FN2080-4-14/3	20"	508	20"	508	0	-	-	27"	686	91"	2311	142	64.4
FN2080-4-18R or L-14/3	20"	508	20"	508	1	18"	457	27"	686	107½"	2731	161	73.0
FN2080-4-18-14/3	20"	508	20"	508	2	18"	457	27"	686	124"	3150	180	81.6
FN2080-4-24R or L-14/3	20"	508	20"	508	1	24"	610	27"	686	113½"	2883	167	75.8
FN2080-4-24-14/3	20"	508	20"	508	2	24"	610	27"	686	136"	3454	192	87.1
FN2080-4-30R or L-14/3	20"	508	20"	508	1	30"	762	27"	686	119½"	3035	172	78.0
FN2080-4-30-14/3	20"	508	20"	508	2	30"	762	27"	686	148"	3759	202	91.6
FN2080-4-36R or L-14/3	20"	508	20"	508	1	36"	914	27"	686	125½"	3188	177	80.3
FN2080-4-36-14/3	20"	508	20"	508	2	36"	914	27"	686	160"	4064	212	96.2
FN2496-4-14/3	24"	610	24"	610	0	-	-	31"	787	107"	2718	163	73.9
FN2496-4-18R or L-14/3	24"	610	24"	610	1	18"	457	31"	787	123½"	3137	182	82.6
FN2496-4-18-14/3	24"	610	24"	610	2	18"	457	31"	787	140"	3556	201	91.2
FN2496-4-24R or L-14/3	24"	610	24"	610	1	24"	610	31"	787	129½"	3289	188	85.3
FN2496-4-24-14/3	24"	610	24"	610	2	24"	610	31"	787	152"	3861	213	96.6
FN2496-4-30R or L-14/3	24"	610	24"	610	1	30"	762	31"	787	135½"	3442	193	87.5
FN2496-4-30-14/3	24"	610	24"	610	2	30"	762	31"	787	164"	4166	228	103.4
FN2496-4-36R or L-14/3	24"	610	24"	610	1	36"	914	31"	787	141½"	3594	198	89.8
FN2496-4-36-14/3	24"	610	24"	610	2	36"	914	31"	787	176"	4470	233	105.7
FN2880-4-14/3	28"	711	20"	508	0	-	-	35"	889	91"	2311	170	77.1
FN2880-4-18R or L-14/3	28"	711	20"	508	1	18"	457	35"	889	107½"	2731	189	85.7
FN2880-4-18-14/3	28"	711	20"	508	2	18"	457	35"	889	124"	3150	208	94.3
FN2880-4-24R or L-14/3	28"	711	20"	508	1	24"	610	35"	889	113½"	2883	195	88.5
FN2880-4-24-14/3	28"	711	20"	508	2	24"	610	35"	889	136"	3454	220	99.8
FN2880-4-30R or L-14/3	28"	711	20"	508	1	30"	762	35"	889	119½"	3048	200	90.7
FN2880-4-30-14/3	28"	711	20"	508	2	30"	762	35"	889	148"	3759	230	104.3
FN2880-4-36R or L-14/3	28"	711	20"	508	1	36"	914	35"	889	125½"	3188	205	93.0
FN2880-4-36-14/3	28"	711	20"	508	2	36"	914	35"	889	160"	4064	240	108.9

EAGLE GROUP
 100 Industrial Boulevard, Clayton, DE 19938-8903 USA
 Phone: 302-653-3000 • Fax: 302-653-2065
 www.eaglegrp.com

Foodservice Division: Phone 800-441-8440
 MHC/Retail Display Divisions: Phone 800-637-5100

Printed in U.S.A.
 ©2010 by Eagle Group
 Rev. 04/10

Spec sheets available for viewing, printing or downloading from our online literature library at www.eaglegrp.com

Although every attempt has been made to ensure the accuracy of the information provided, we cannot be held responsible for typographical or printing errors. Information and specifications are subject to change without notice. Please confirm at time of order.