



Profit from the Eagle Advantage®

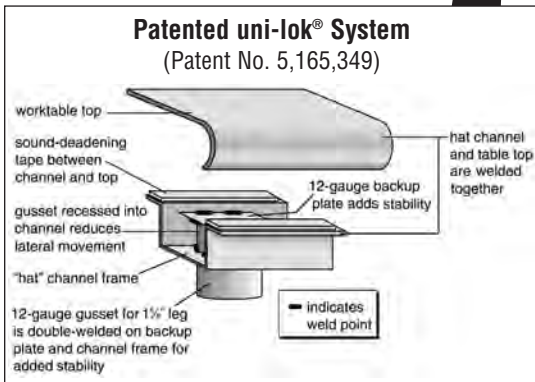
Specification Sheet

Short Form Specifications

Eagle worktables, Deluxe series, model _____. Top constructed of 16/304 stainless steel with 1½" roll on front, 4½" backsplash, and sides turned down 90°. Adjustable undershelf constructed of heavy gauge type 430 stainless steel with marine edge. Top reinforced with hat channels and sound deadened. Constructed with uni-lok® patented gusset system with the gussets recessed into the hat channels to reduce lateral movement. 1½"-diameter stainless steel legs, with galvanized gussets and 1" hi-impact plastic bullet feet.



worktable with backsplash and adjustable undershelf



Item No.: _____
 Project No.: _____
 S.I.S. No.: _____

Worktables with Backsplash and Stainless Steel Base with Undershelf —Deluxe Series

MODELS:

- | | | | |
|--------------------------------------|---------------------------------------|---------------------------------------|---------------------------------------|
| <input type="checkbox"/> T2424SEB-BS | <input type="checkbox"/> T24108SEB-BS | <input type="checkbox"/> T3072SEB-BS | <input type="checkbox"/> T3660SEB-BS |
| <input type="checkbox"/> T2430SEB-BS | <input type="checkbox"/> T24120SEB-BS | <input type="checkbox"/> T3084SEB-BS | <input type="checkbox"/> T3672SEB-BS |
| <input type="checkbox"/> T2436SEB-BS | <input type="checkbox"/> T24132SEB-BS | <input type="checkbox"/> T3096SEB-BS | <input type="checkbox"/> T3684SEB-BS |
| <input type="checkbox"/> T2448SEB-BS | <input type="checkbox"/> T24144SEB-BS | <input type="checkbox"/> T30108SEB-BS | <input type="checkbox"/> T3696SEB-BS |
| <input type="checkbox"/> T2460SEB-BS | <input type="checkbox"/> T3030SEB-BS | <input type="checkbox"/> T30120SEB-BS | <input type="checkbox"/> T36108SEB-BS |
| <input type="checkbox"/> T2472SEB-BS | <input type="checkbox"/> T3036SEB-BS | <input type="checkbox"/> T30132SEB-BS | <input type="checkbox"/> T36120SEB-BS |
| <input type="checkbox"/> T2484SEB-BS | <input type="checkbox"/> T3048SEB-BS | <input type="checkbox"/> T30144SEB-BS | <input type="checkbox"/> T36132SEB-BS |
| <input type="checkbox"/> T2496SEB-BS | <input type="checkbox"/> T3060SEB-BS | <input type="checkbox"/> T3648SEB-BS | <input type="checkbox"/> T36144SEB-BS |

Tabletop

- Patented uni-lok® gusset system (patent #5,165,349): gussets are recessed into hat channel, reducing lateral movement.
- Top reinforced with welded-on hat channel.
- Sound-deadened between top and channels.
- 4½" (114mm)-high 90° backsplash with 1" (25mm) turn at 90°.
- 1½" (38mm)-diameter 180° rolled edge on front. Ends are turned down 90°, providing for flush installations when required.
- 16 gauge type 304 polished stainless steel.

Adjustable Undershelf

- Heavy gauge stainless steel.
- Gusset welded to each corner.
- Heavy duty marine edge design.

Legs—1½" (41mm)-diameter

- Tables 96" (2438mm) and longer come with six legs or more.
- Heavy gauge stainless steel.
- 1" (25mm) adjustable hi-impact plastic feet.

Options / Accessories

- | | |
|--|--|
| <input type="checkbox"/> Drawer | <input type="checkbox"/> Duplex receptacles |
| <input type="checkbox"/> Lock | <input type="checkbox"/> Pot rack |
| <input type="checkbox"/> Casters | <input type="checkbox"/> Sink |
| <input type="checkbox"/> Stainless steel bullet feet | <input type="checkbox"/> Additional undershelf |
| <input type="checkbox"/> Overshelves | <input type="checkbox"/> Stabilizer Bar (for 30"- and 36"-wide tables) |
| <input type="checkbox"/> Power strip (for material handling) | |

Certifications / Approvals



AUTOQUOTES



EAGLE GROUP
 100 Industrial Boulevard, Clayton, DE 19938-8903 USA
 Phone: 302-653-3000 • Fax: 302-653-2065
 www.eaglegrp.com

Foodservice Division: Phone 800-441-8440
MHC/Retail Display Divisions: Phone 800-637-5100

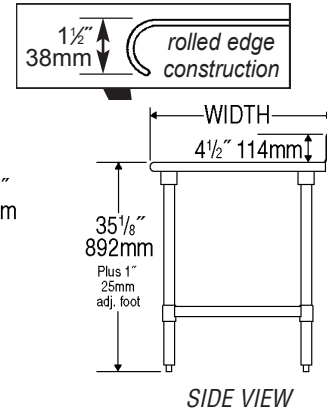
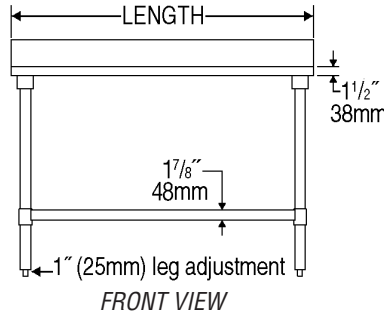
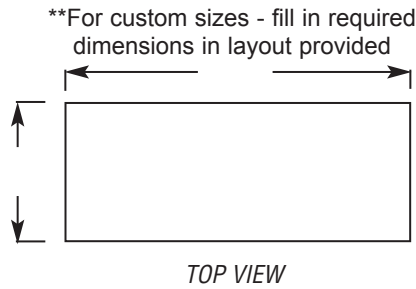
For custom configuration or fabrication needs, contact our **SpecFAB® Division**.
 Phone: 302-653-3000 • Fax: 302-653-3091 • e-mail: specfab@eaglegrp.com

Spec sheets available for viewing, printing or downloading from our online literature library at www.eaglegrp.com



Item No.: _____
 Project No.: _____
 S.I.S. No.: _____

Worktables with Backsplash and Stainless Steel Base with Undershelf—Deluxe Series



| model # | # of legs | width | | length | | weight | |
|--------------|-----------|-------|-----|--------|------|--------|-------|
| | | in. | mm | in. | mm | lbs. | kg |
| T2424SEB-BS | 4 | 24" | 610 | 24" | 610 | 43 | 19.5 |
| T2430SEB-BS | 4 | 24" | 610 | 30" | 762 | 48 | 21.8 |
| T2436SEB-BS | 4 | 24" | 610 | 36" | 914 | 53 | 24.0 |
| T2448SEB-BS | 4 | 24" | 610 | 48" | 1219 | 63 | 28.6 |
| T2460SEB-BS | 4 | 24" | 610 | 60" | 1524 | 73 | 33.1 |
| T2472SEB-BS | 4 | 24" | 610 | 72" | 1829 | 85 | 38.6 |
| T2484SEB-BS | 4 | 24" | 610 | 84" | 2134 | 97 | 44.0 |
| T2496SEB-BS | 6 | 24" | 610 | 96" | 2438 | 114 | 51.7 |
| T24108SEB-BS | 6 | 24" | 610 | 108" | 2743 | 142 | 64.4 |
| T24120SEB-BS | 6 | 24" | 610 | 120" | 3048 | 154 | 69.9 |
| T24132SEB-BS | 8 | 24" | 610 | 132" | 3353 | 166 | 75.3 |
| T24144SEB-BS | 8 | 24" | 610 | 144" | 3658 | 178 | 80.7 |
| T3030SEB-BS | 4 | 30" | 762 | 30" | 762 | 50 | 22.7 |
| T3036SEB-BS | 4 | 30" | 762 | 36" | 914 | 53 | 24.0 |
| T3048SEB-BS | 4 | 30" | 762 | 48" | 1219 | 70 | 31.8 |
| T3060SEB-BS | 4 | 30" | 762 | 60" | 1524 | 81 | 36.7 |
| T3072SEB-BS | 4 | 30" | 762 | 72" | 1829 | 94 | 42.6 |
| T3084SEB-BS | 4 | 30" | 762 | 84" | 2134 | 108 | 49.0 |
| T3096SEB-BS | 6 | 30" | 762 | 96" | 2438 | 130 | 59.0 |
| T30108SEB-BS | 6 | 30" | 762 | 108" | 2743 | 150 | 68.0 |
| T30120SEB-BS | 6 | 30" | 762 | 120" | 3048 | 170 | 77.1 |
| T30132SEB-BS | 8 | 30" | 762 | 132" | 3353 | 188 | 85.3 |
| T30144SEB-BS | 8 | 30" | 762 | 144" | 3658 | 207 | 93.9 |
| T3648SEB-BS | 4 | 36" | 914 | 48" | 1219 | 77 | 34.9 |
| T3660SEB-BS | 4 | 36" | 914 | 60" | 1524 | 90 | 40.8 |
| T3672SEB-BS | 4 | 36" | 914 | 72" | 1829 | 106 | 48.1 |
| T3684SEB-BS | 4 | 36" | 914 | 84" | 2134 | 123 | 55.8 |
| T3696SEB-BS | 6 | 36" | 914 | 96" | 2438 | 132 | 59.9 |
| T36108SEB-BS | 6 | 36" | 914 | 108" | 2743 | 169 | 76.7 |
| T36120SEB-BS | 6 | 36" | 914 | 120" | 3048 | 192 | 87.1 |
| T36132SEB-BS | 8 | 36" | 914 | 132" | 3353 | 216 | 98.0 |
| T36144SEB-BS | 8 | 36" | 914 | 144" | 3658 | 239 | 108.4 |

EAGLE GROUP
 100 Industrial Boulevard, Clayton, DE 19938-8903 USA
 Phone: 302-653-3000 • Fax: 302-653-2065
 www.eaglegrp.com

Foodservice Division: Phone 800-441-8440
 MHC/Retail Display Divisions: Phone 800-637-5100

Printed in U.S.A.
 ©2012 by Eagle Group
 Rev. 01/12

Spec sheets available for viewing, printing or downloading from our online literature library at www.eaglegrp.com

Although every attempt has been made to ensure the accuracy of the information provided, we cannot be held responsible for typographical or printing errors. Information and specifications are subject to change without notice. Please confirm at time of order.