



Profit from the Eagle Advantage®

Specification Sheet

Short Form Specifications

Eagle Stationary Wire Wall Mount, model _____.
Designed for fixed application. Chrome, Valu-Gard®, and stainless steel finish available. End unit to consist of one single shelf support and wall mounting plate. Mid Unit to consist of one double shelf support and wall mounting plate.

Item No.:	_____
Project No.:	_____
S.I.S. No.:	_____

Stationary Wire Wall Mounts

MODELS:

- | | |
|---------------------------------------|--|
| <input type="checkbox"/> WB14* | <input type="checkbox"/> DWB14* |
| <input type="checkbox"/> WB18* | <input type="checkbox"/> DWB18* |
| <input type="checkbox"/> WB21* | <input type="checkbox"/> DWB21* |
| <input type="checkbox"/> WB24* | <input type="checkbox"/> DWB24* |

* See charts on back page for complete model numbers.



stationary wall mounts (two end units)
shown with optional wire shelf**

**See catalog sheet #EG01.00 for Eagle wire shelves available.

Design and Construction Features

- Designed for fixed applications where vertical adjustment is not required.
- End unit*** consists of one single shelf support and 14 gauge stainless steel mounting plate.
- Mid unit*** consists of one double support and 14 gauge stainless steel mounting plate.
- Units available in chrome, Valu-Gard® green epoxy, or stainless steel finish.
- Optional Eagle wire shelves** (sold separately) feature patented QuadTruss® design (patent #5,390,803), making shelves up to 25% stronger and provides a retaining ledge for increased stability and product retention.

*** Units do not include shelves and wall bolts. Wall bolts must be selected according to wall type.

EAGLE GROUP
100 Industrial Boulevard, Clayton, DE 19938-8903 USA
Phone: 302-653-3000 • Fax: 302-653-2065
www.eaglegrp.com

Foodservice Division: Phone 800-441-8440
MHC/Retail Display Divisions: Phone 800-637-5100

For custom configuration or fabrication needs, contact our **SpecFAB® Division**.
Phone: 302-653-3000 • Fax: 302-653-3091 • e-mail: specfab@eaglegrp.com



EG02.12 Rev. 07/09

Spec sheets available for viewing, printing or downloading from our online literature library at www.eaglegrp.com

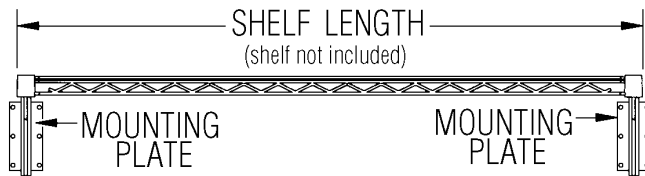
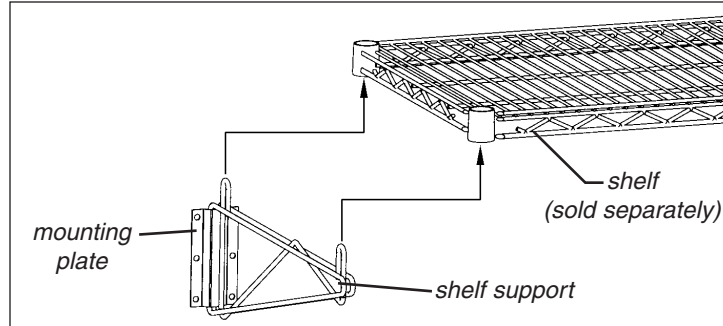
Eagle Foodservice Equipment, Eagle MHC, SpecFAB®, and Retail Display are divisions of Eagle Group. ©2009 by the Eagle Group



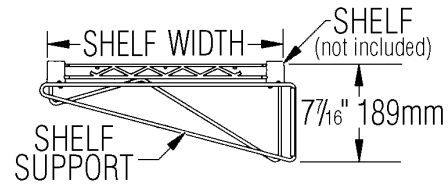
Profit from the Eagle Advantage®

Item No.: _____
 Project No.: _____
 S.I.S. No.: _____

Stationary Wire Wall Mounts



FRONT VIEW



SIDE VIEW

End Units				Mid Units					for shelf width	
Shelves sold separately.				Shelves sold separately.						
chrome model #	Valu-Gard® model #	stainless steel* model #	weight* lbs. kg	chrome model #	Valu-Gard® model #	stainless steel* model #	weight* lbs. kg			
WB14-C	WB14-VG	WB14-S	6 2.7	DWB14-C	DWB14-VG	DWB14-S	8 3.6	14"	356	
WB18-C	WB18-VG	WB18-S	8 3.6	DWB18-C	DWB18-VG	DWB18-S	10 4.5	18"	457	
WB21-C	WB21-VG	WB21-S	10 4.5	DWB21-C	DWB21-VG	DWB21-S	12 5.5	21"	533	
WB24-C	WB24-VG	WB24-S	12 5.5	DWB24-C	DWB24-VG	DWB24-S	14 6.4	24"	610	

* For stainless steel units, add 1 lb. (0.5 kg) weight.

EAGLE GROUP
 100 Industrial Boulevard, Clayton, DE 19938-8903 USA
 Phone: 302-653-3000 • Fax: 302-653-2065
 www.eaglegrp.com

Foodservice Division: Phone 800-441-8440
 MHC/Retail Display Divisions: Phone 800-637-5100

Printed in U.S.A.
 ©2009 by Eagle Group
 Rev. 07/09

Spec sheets available for viewing, printing or downloading from our online literature library at www.eaglegrp.com

Although every attempt has been made to ensure the accuracy of the information provided, we cannot be held responsible for typographical or printing errors. Information and specifications are subject to change without notice. Please confirm at time of order.