

Item No.:	_____	Qty.	_____
Model No.:	_____		
Project No.:	_____		



### Specifications

14" Standard Series Sink, with two compartments, no drainboards, 9" backsplash, 16 gauge, 300 series stainless steel top and bowl, galvanized H-frame legs & adjustable feet, raised 1-1/2" rolled edge, includes 3-1/2" basket strainer, NSF approved

### Features

- 16 Ga. stainless steel
- Welded construction for consistent metal gauge thickness throughout
- 14" (355.6 mm) deep tub with 3/4" (19.1 mm) coved radius tub corners
- 9" (228.6 mm) backsplash with tile ledge for easy installation
- Raised 1-1/2" (38.1 mm) diameter rolled edge
- 3-1/2" (88.9 mm) drain with basket strainers included
- 1-5/8" (41.3 mm) galvanized H-frame legs with 1" (25.4 mm) adjustable plastic feet
- 2" (50.8 mm) divider between each tub

### 14" Standard Series Sinks

14" Deep Standard Series Two Compartment Stainless Steel Sinks

- 14-2C16X20-0
- 14-2C18X18-0
- 14-2C18X24-0
- 14-2C18X30-0
- 14-2C20X20-0
- 14-2C20X28-0
- 14-2C24X24-0
- 14-2C24X30-0
- 14-2C30X30-0

### Options

- Overshelves and Pot Racks
- Skirts & End Splashes
- Faucets
- Tub & Drainboard Modifications
- Tub Accessories
- Disposer Provisions
- Rotary Drain Options
- Undershelves
- Stainless Steel Leg Sockets
- H-Frame Stainless Steel Legs
- Stainless Steel Feet Options (bullet & flange styles)

### Materials

- Sink & Bowl: 16 Ga. 300 series stainless steel
- Top: Backsplash is 16 gauge 300 series stainless steel.
- Legs: All sinks furnished with 1-5/8" (41.3 mm) diameter heavy gauge galvanized tubing with plated galvanized leg gussets and high impact corrosion resistant fully adjustable 1" (25.4 mm) feet.

### Mechanical

- 1-1/8" (28.6mm) faucet holes on 8" (203.2mm) centers
- 3-1/2" (88.9mm) waste drain opening



**AUTOQUOTES**



*In keeping with our policy of continuing product improvement, Elkay SSP reserves the right to change product specifications without notice.*

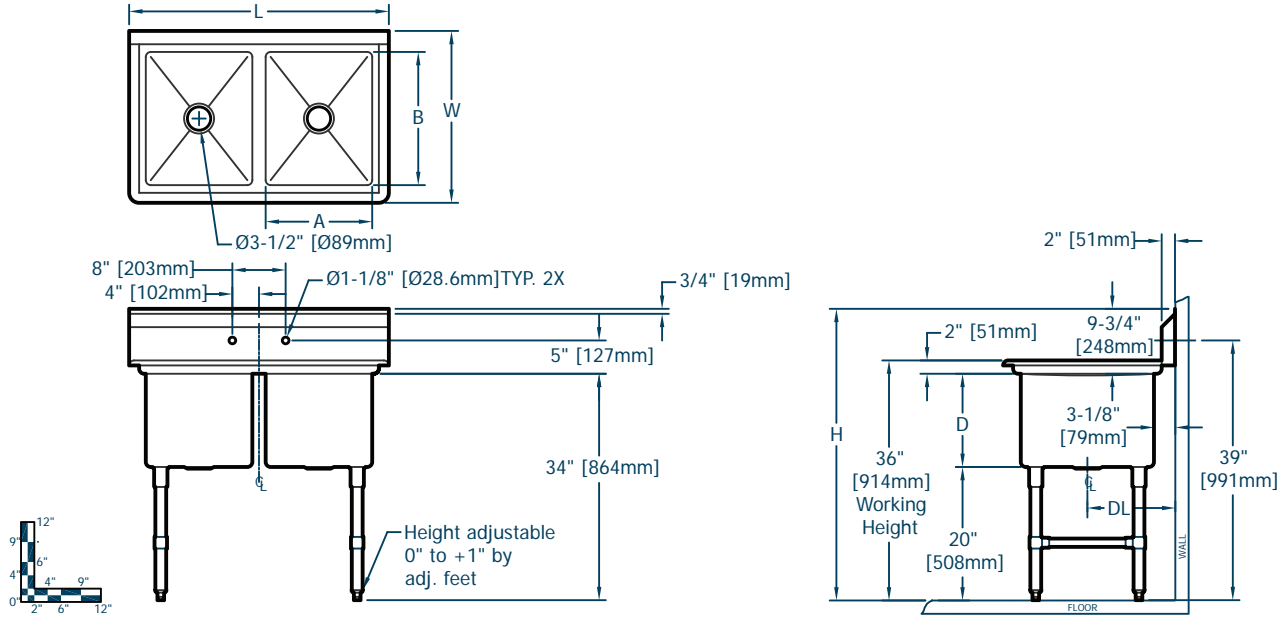
*This specification describes an Elkay SSP product with design, quality and functional benefits to the user. When making a comparison of other producers' offerings, be certain these features are not overlooked.*



Item No.: \_\_\_\_\_ Qty. \_\_\_\_\_  
 Model No.: \_\_\_\_\_  
 Project No.: \_\_\_\_\_

## 14" Standard Series Sinks

14" Deep Standard Series Two Compartment Stainless Steel Sinks



14" Standard Series Sinks																	
Model Number	Bowl Dimensions						Overall Size			Drainboard		Drain Location		Weight			
	Width		Front-to-Back		Depth		Length		Width	Height		Location	Size DB	Location DL		lbs.	kg
	in.	mm	in.	mm	in.	mm	in.	mm	in.	mm	in.	mm	in.	mm	in.	mm	lbs.
14 2C 16 X 20 0	16	406	20	508	14	356	39	991	25.8	656	43.8	1111	No	0 0	13.1 333	132	60
14 2C 18 X 18 0	18	457	18	457	14	356	43	1092	23.8	605	43.8	1111	No	0 0	12.1 308	138	62
14 2C 18 X 24 0	18	457	24	610	14	356	43	1092	29.8	757	43.8	1111	No	0 0	15.1 384	152	69
14 2C 18 X 30 0	18	457	30	762	14	356	43	1092	35.8	910	43.8	1111	No	0 0	18.1 460	156	71
14 2C 20 X 20 0	20	508	20	508	14	356	47	1194	25.8	656	43.8	1111	No	0 0	13.1 333	160	73
14 2C 20 X 28 0	20	508	28	711	14	356	47	1194	33.8	859	43.8	1111	No	0 0	17.1 435	169	77
14 2C 24 X 24 0	24	610	24	610	14	356	55	1397	29.8	757	43.8	1111	No	0 0	15.1 384	181	82
14 2C 24 X 30 0	24	610	30	762	14	356	55	1397	35.8	910	43.8	1111	No	0 0	18.1 460	199	90
14 2C 30 X 30 0	30	762	30	762	14	356	67	1702	35.8	910	43.8	1111	No	0 0	18.1 460	232	105

