

Item No.:	_____	Qty.	_____
Model No.:	_____		
Project No.:	_____		



## Specifications

12" Economy Series Sink, with three compartments, left drainboard, 9" backsplash, 18 gauge, 300 series stainless steel top and bowl, galvanized legs & adjustable feet, raised 1-1/2" rolled edge, includes 3-1/2" basket strainer, NSF approved

## Features

- 18 Ga. stainless steel
- Welded construction for consistent metal gauge thickness throughout
- 12" (304.8 mm) deep tub with 3/4" (19.1 mm) covered radius tub corners
- Drainboard is die stamped for positive drainage
- 9" (228.6 mm) backsplash with tile ledge for easy installation
- Raised 1-1/2" (38.1 mm) diameter rolled edge
- 3-1/2" (88.9 mm) drain with basket strainers included
- 1-5/8" (41.3 mm) galvanized legs with 1" (25.4 mm) adjustable plastic feet
- 2" (50.8 mm) divider between each tub

## Flyer Product

*In keeping with our policy of continuing product improvement, Elkay SSP reserves the right to change product specifications without notice.*

## 12" Economy Series Sinks

*12" Deep Standard Series Three Compartment Stainless Steel Sinks*

- E3C16X20-L-18X**
- E3C20X20-L-20X**
- E3C24X24-L-24X**

## Options

- Faucets
- Tub Accessories
- Undershelves
- Rotary Drain Options
- H-Frame Stainless Steel Legs
- Stainless Steel Feet Options (bullet & flange styles)

## Materials

- Sink & Bowl: 18 Ga. 300 series stainless steel
- Top: Drainboard and backsplash are 18 gauge 300 series stainless steel.
- Legs: All sinks furnished with 1-5/8" (41.3 mm) diameter heavy gauge galvanized tubing with plated galvanized leg gussets and high impact corrosion resistant fully adjustable 1" (25.4 mm) feet.

## Mechanical

- 1-1/8" (28.6mm) faucet holes on 8" (203.2mm) centers
- 3-1/2" (88.9mm) waste drain opening



**AUTOQUOTES**

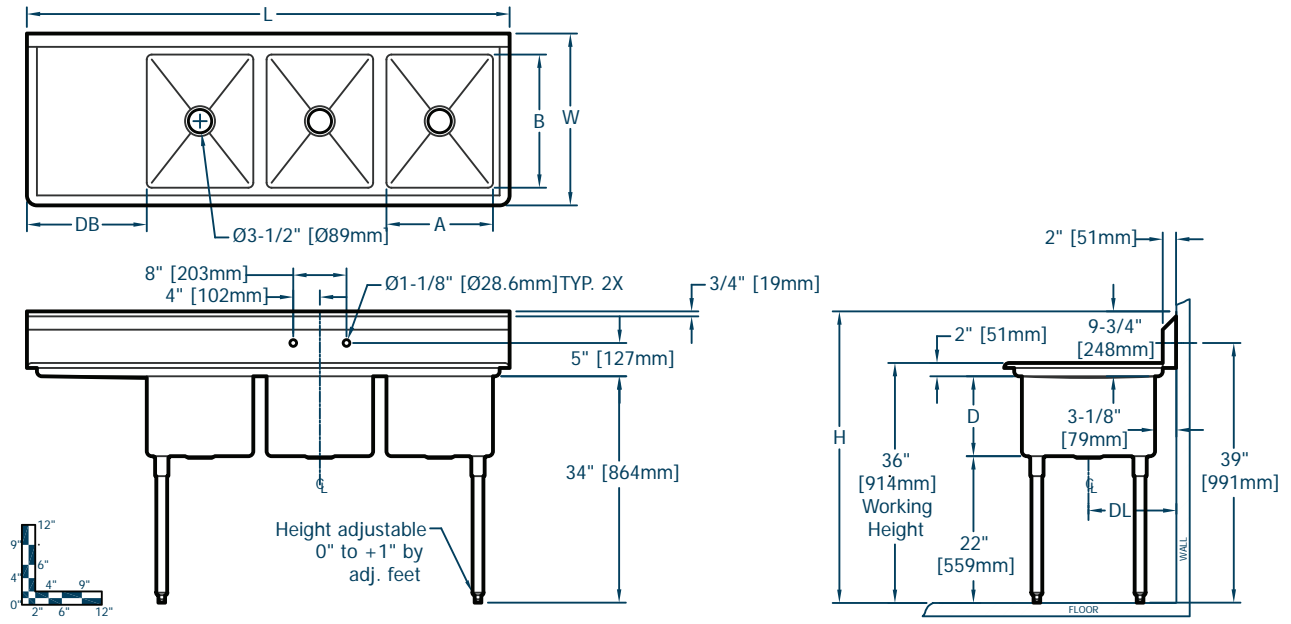


*This specification describes an Elkay SSP product with design, quality and functional benefits to the user. When making a comparison of other producers' offerings, be certain these features are not overlooked.*



Item No.: \_\_\_\_\_ Qty. \_\_\_\_\_  
 Model No.: \_\_\_\_\_  
 Project No.: \_\_\_\_\_

**12" Economy Series Sinks**  
 12" Deep Standard Series Three Compartment Stainless Steel Sinks



Economy Series Sinks																			
Model Number	Bowl Dimensions						Overall Size						Drainboard		Drain		Weight		
	Width		Front-to-Back		Depth		Length		Width		Height		Location	Size	Location	lbs.	kg		
	A	B	D	L	W	H	DB	DL											
E 3C 16 X 20 L 18 X	16	406	20	508	12	305	72.5	1842	25.8	656	43.8	1111	Left	18	457	13	330	91	41
E 3C 20 X 20 L 20 X	20	508	20	508	12	305	86.5	2197	25.8	656	43.8	1111	Left	20	508	13	330	103	46
E 3C 24 X 24 L 24 X	24	610	24	610	12	305	102.5	2604	29.8	757	43.8	1111	Left	24	610	15	381	95	43

