

Item No.:	_____	Qty.:	_____
Model No.:	_____		
Project No.:	_____		



## Economy Series Work Table

*Economy Work Table, Turn Up with Galvanized Undershef*

- | 24"                                      | 30"                                      |
|--|--|
| <input type="checkbox"/> EWT24S24-STG-2X | <input type="checkbox"/> EWT30S30-STG-2X |
| <input type="checkbox"/> EWT24S30-STG-2X | <input type="checkbox"/> EWT30S36-STG-2X |
| <input type="checkbox"/> EWT24S36-STG-2X | <input type="checkbox"/> EWT30S48-STG-2X |
| <input type="checkbox"/> EWT24S48-STG-2X | <input type="checkbox"/> EWT30S60-STG-2X |
| <input type="checkbox"/> EWT24S60-STG-2X | <input type="checkbox"/> EWT30S72-STG-2X |
| <input type="checkbox"/> EWT24S72-STG-2X | <input type="checkbox"/> EWT30S84-STG-2X |
| <input type="checkbox"/> EWT24S84-STG-2X | <input type="checkbox"/> EWT30S96-STG-2X |
| <input type="checkbox"/> EWT24S96-STG-2X |  |

### Features

- 18 Gauge, 400 series stainless steel
- 2" Turn Up
- Welded construction for consistent metal gauge thickness throughout
- Sound deadened between top and bottom hat channels with double sided tape
- 1-5/8" Galvanized legs with high impact plastic feet, adjustable up to 1"
- Fully adjustable galvanized undershelf
- Shipped knocked down for reduced shipping costs and supplied with Allen wrench and screws

### Materials

- **Top:** 18 Gauge, 400 series stainless steel
- **Legs:** 1-5/8" Diameter heavy gauge galvanized tubing with galvanized leg gussets and high impact plastic feet, adjustable up to 1"
- **Undershef:** Galvanized steel, fully adjustable

### Options

- Custom Height (if less than 36")
- Cutout in Top (depending on size and location)
- Overshelves
- Undershelves
- Drawers
- Casters / Feet Upgrade

\* For additional available options, contact Elkay SSP

### Flyer Product



**AUTOQUOTES**

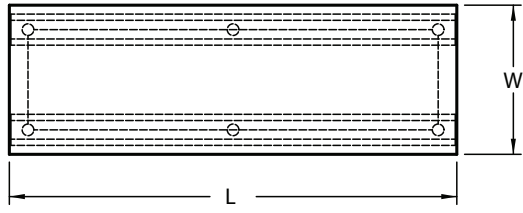


*In keeping with our policy of continuing product improvement, Elkay SSP reserves the right to change product specifications without notice.*

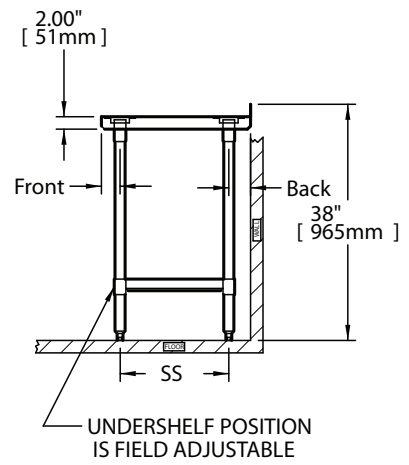
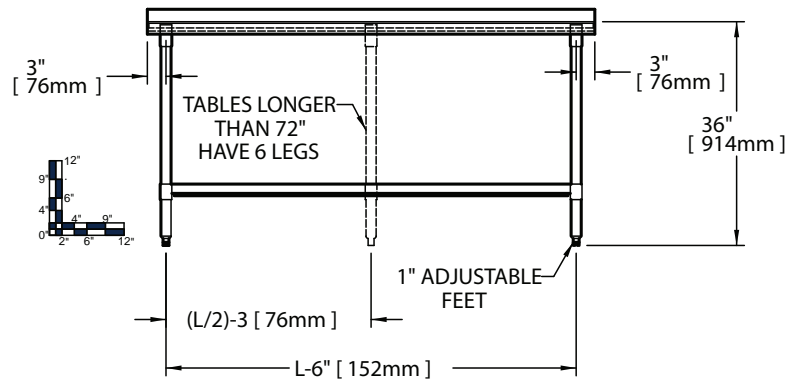
*This specification describes an Elkay SSP product with design, quality and functional benefits to the user. When making a comparison of other producers' offerings, be certain these features are not overlooked.*



Item No.: \_\_\_\_\_ Qty.: \_\_\_\_\_  
 Model No.: \_\_\_\_\_  
 Project No.: \_\_\_\_\_



Size of Undershef:  
 Common length = subtract 6" from length  
 24" Width = subtract 6.5" from width  
 30" Width = subtract 7.45" from width



24" Work Table					30" Work Table									
Model Number	Overall Size		Weight		Model Number	Overall Size		Weight		Legs				
	Length	Height				Length	Height							
	L	H	lbs.	kg		L	H	lbs.	kg					
	in.	mm	in.	mm		in.	mm	in.	mm					
EWT 24 S 24 - STG - 2X	24	610	38	965	39	18				4				
EWT 24 S 30 - STG - 2X	30	762	38	965	44	20	EWT 30 S 30 - STG - 2X	30	762	38	965	50	23	4
EWT 24 S 36 - STG - 2X	36	914	38	965	49	22	EWT 30 S 36 - STG - 2X	36	914	38	965	55	25	4
EWT 24 S 48 - STG - 2X	48	1219	38	965	59	27	EWT 30 S 48 - STG - 2X	48	1219	38	965	67	31	4
EWT 24 S 60 - STG - 2X	60	1524	38	965	68	31	EWT 30 S 60 - STG - 2X	60	1524	38	965	79	36	4
EWT 24 S 72 - STG - 2X	72	1829	38	965	78	36	EWT 30 S 72 - STG - 2X	72	1829	38	965	90	41	4
EWT 24 S 96 - STG - 2X	96	2438	38	965	106	48	EWT 30 S 96 - STG - 2X	96	2438	38	965	122	55	6

