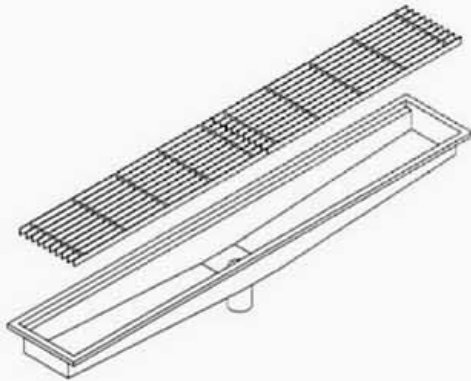




FLOOR TROUGHS



FEATURES:

CONSTRUCTED of 14 gauge 304 stainless steel with sloped pan to center drain.

INCLUDES: 3" no-hub integral drain tube (2" long), 1-3/8" top flange at all sides with 1/2" return, 1" recessed ledge at long sides, FRP type fiberglass reinforced grate or 3/16" X 1" stainless steel grate with (2) 3/8" rod welded through and behave dome strainer.

*Please call for pricing for options and sizes not shown.

STANDARD SIZES (in.)

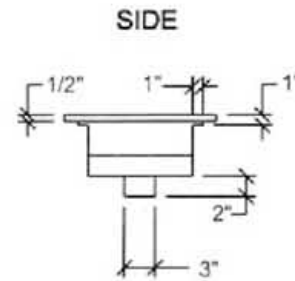
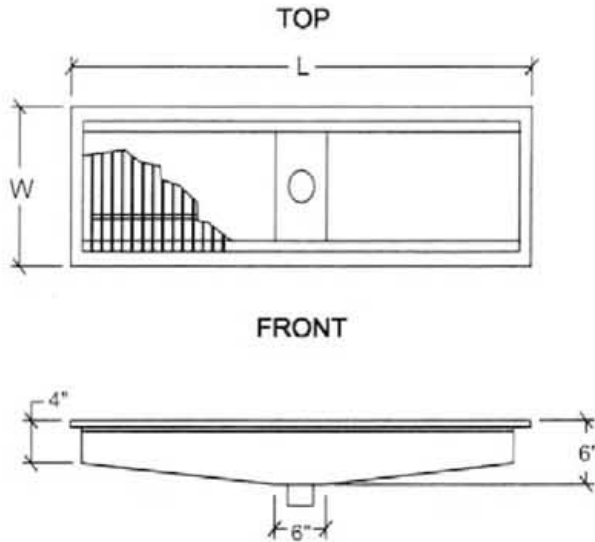
WIDTH	FRP GRATE	304 SS GRATE	LENGTH	DEPTH
12	FD12X48-FG	FD12X48-SSG	48	6
	FD12X60-FG	FD12X60-SSG	60	
	FD12X72-FG	FD12X72-SSG	72	
	FD12X84-FG	FD12X84-SSG	84	
	FD12X96-FG	FD12X96-SSG	96	
	FD12X108-FG	FD12X108-SSG	108	
	FD12X120-FG	FD12X120-SSG	120	
18	FD18X48-FG	FD18X48-SSG	48	
	FD18X60-FG	FD18X60-SSG	60	
	FD18X72-FG	FD18X72-SSG	72	
	FD18X84-FG	FD18X84-SSG	84	
	FD18X96-FG	FD18X96-SSG	96	
	FD18X108-FG	FD18X108-SSG	108	
	FD18X120-FG	FD18X120-SSG	120	
24	FD24X48-FG	FD24X48-SSG	48	
	FD24X60-FG	FD24X60-SSG	60	
	FD24X72-FG	FD24X72-SSG	72	
	FD24X84-FG	FD24X84-SSG	84	
	FD24X96-FG	FD24X96-SSG	96	
	FD24X108-FG	FD24X108-SSG	108	
	FD24X120-FG	FD24X120-SSG	120	

CUSTOM SIZES AVAILABLE!

SPECIFICATIONS

DATE: _____ MODEL NO: _____
PROJECT: _____

FLOOR TROUGHS



DIMENSIONS (in.)

WIDTH	FRP GRATE	304 SS GRATE	LENGTH	TROUGH WEIGHT	FRP GRATE WT.	S/S GRATE WT.
12	FD12X48-FG	FD12X48-SSG	48	40	3# PER LINEAR FOOT	8# PER LINEAR FOOT
	FD12X60-FG	FD12X60-SSG	60	50		
	FD12X72-FG	FD12X72-SSG	72	60		
	FD12X84-FG	FD12X84-SSG	84	70		
	FD12X96-FG	FD12X96-SSG	96	80		
	FD12X108-FG	FD12X108-SSG	108	95		
18	FD18X48-FG	FD18X48-SSG	48	50	4 1/2# PER LINEAR FOOT	12# PER LINEAR FOOT
	FD18X60-FG	FD18X60-SSG	60	65		
	FD18X72-FG	FD18X72-SSG	72	75		
	FD18X84-FG	FD18X84-SSG	84	90		
	FD18X96-FG	FD18X96-SSG	96	100		
	FD18X108-FG	FD18X108-SSG	108	120		
24	FD24X48-FG	FD24X48-SSG	48	60	6# PER LINEAR FOOT	16# PER LINEAR FOOT
	FD24X60-FG	FD24X60-SSG	60	75		
	FD24X72-FG	FD24X72-SSG	72	85		
	FD24X84-FG	FD24X84-SSG	84	110		
	FD24X96-FG	FD24X96-SSG	96	120		
	FD24X108-FG	FD24X108-SSG	108	135		
	FD24X120-FG	FD24X120-SSG	120	150		

(Specifications Subject To Change)



North 421 Freya, Spokane, WA 99202 509-533-0808 / 800-726-0553 Fax: 509-535-1493 Website: <http://www.sspinc.net> E-mail: ssp@sspinc.net