

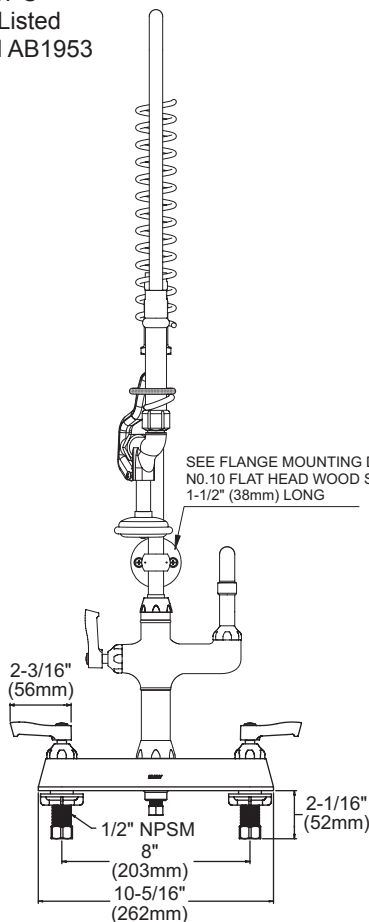
FEATURES

- One hole dual handle top mount faucet
- Quarter turn ceramic disc cartridge
- Solid brass construction
- Chrome finish
- 3.2 GPM spray valve
- 2.2 GPM VR aerator with 1.5 and .5 GPM inserts
- Includes spout swing restriction pin
- LK843AF08C – 8" add on faucet spout
- LK843AF10C – 10" add on faucet spout
- LK843AF12C – 12" add on faucet spout
- LK843AF14C – 14" add on faucet spout

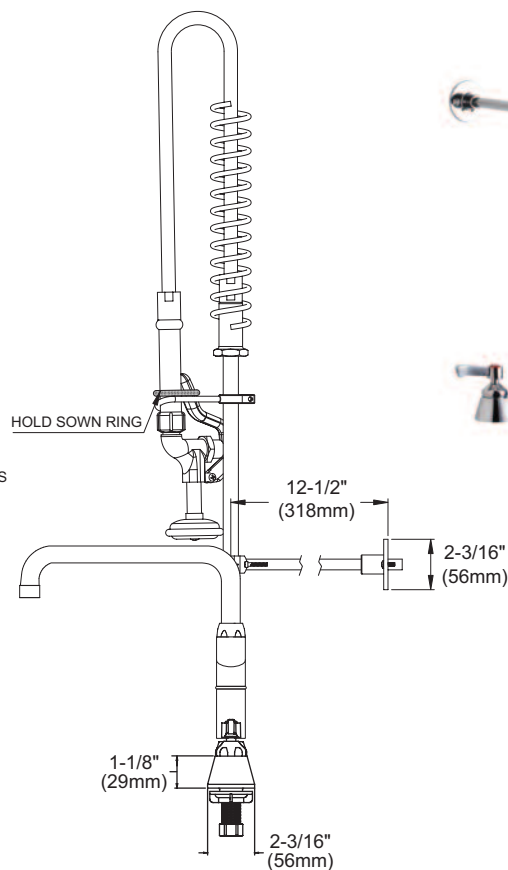
COMPLIES WITH:

- ASME/ANSI A112.18.1
- CSA B125-01
- NSF/ANSI 61 Annex G
- ADA
- UPC/CUPC
- IAPMO Listed
- Certified AB1953

Exposed Deck Mount 8" Center Pre-Rinse Commercial Faucet Models LK843AF08C, LK843AF10C, LK843AF12C, LK843AF14C



FRONT VIEW



SIDE VIEW

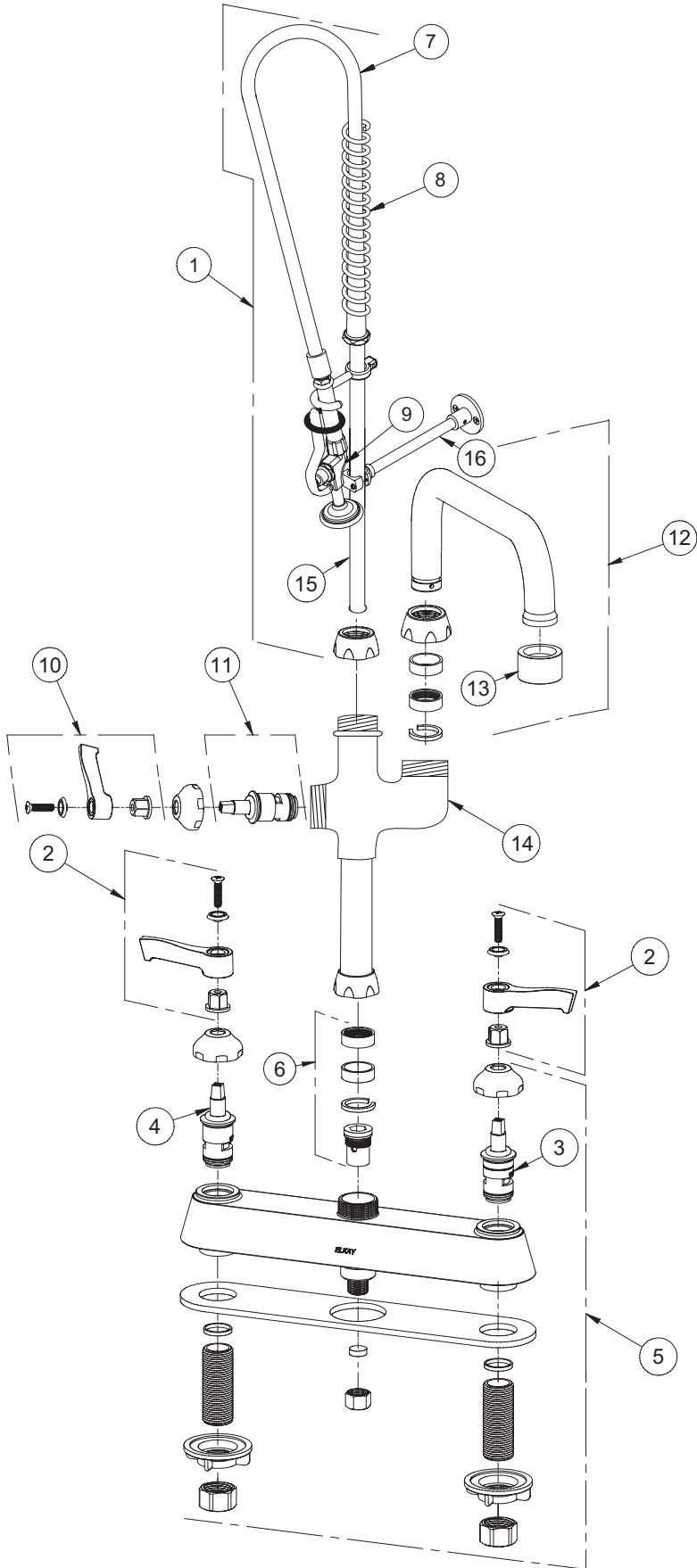
Job Name:	Item #:
Notes:	
Architect/Engineer Approval:	Date:

SEE OTHER SIDE FOR REPLACEMENT PARTS



REPLACEMENT PARTS

Exposed Deck Mount 8" Center Pre-Rinse Commercial Faucet Models LK843AF08C, LK843AF10C, LK843AF12C, LK843AF14C



ITEM	IND. PART	DESCRIPTION
1	45938C	Pre-Rinse Assembly
2	45918C	Handle, 2"
3	45923C	Right Cold Cartridge
4	45924C	Left Hot Cartridge
5	45915C	Body
6	98554C	Backflow Kit
7	45943C	44" Hose
8	45944C	Spring
9	45942C	Spray Valve
10	A55385	Handle, 2"
11	P29121NL	Cartridge
12	A55393	Spout, 8"
12	A55395	Spout, 10"
12	A55399	Spout, 12"
12	45963C	Spout, 14"
13	LK734	2.2 GPM VR Aerator
14	45934C	Add On Faucet Body
15	45945C	Tall Riser
16	45946C	Support Rod