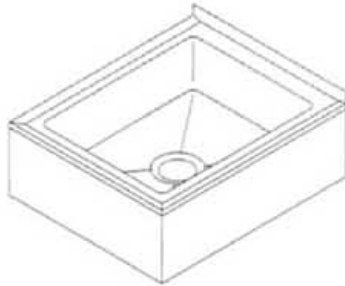




FLOOR STYLE  
MOP SINKS



**FEATURES:**

**BOWL** is constructed of 16 gauge 304 stainless steel.

**SKIRTS** are constructed of 18 gauge stainless steel with 1-1/2" tall, flat turn-up at back wall.

**INCLUDES:** 3-1/2" stainless steel strainer.

All visible welds are ground and polished to no. 4 finish.

Call for options and different sizes other than listed.

**SILVER SOAK SINK:**

**TOP** is constructed of 16 gauge 304 stainless steel with a marine edge on all four sides.

**BOWL** is 20-1/4" x 20-1/4" x 12" deep and is constructed of 16 gauge 304 stainless steel.

**INCLUDES:** Perforated stainless steel basket, leverwaste and casters.

**STANDARD SIZES (in.)**

MODEL	BOWL	LENGTH	WIDTH	HEIGHT
FLR-1	16 X 20 X 6	20	24	7-1/2
FLR-2	20 X 28 X 6	24	32	
FLR-3	16 X 20 X 12	20	24	13-1/2
FLR-4	20 X 28 X 12	24	32	
SIL-1	20 X 20 X 12	24	24	17

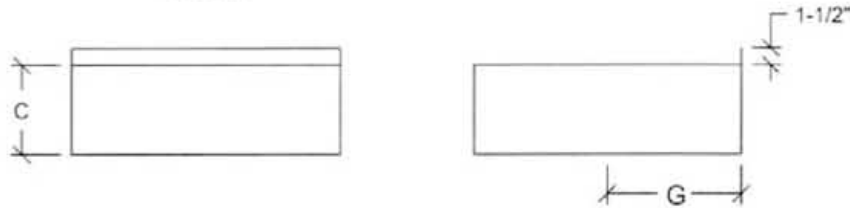
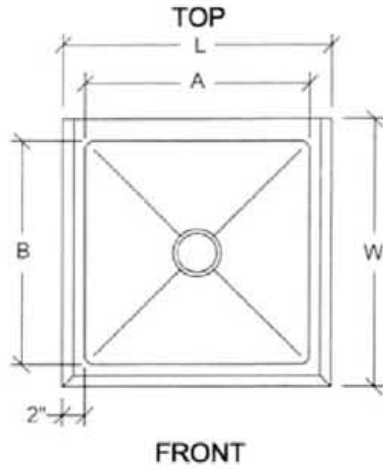
**CUSTOM SIZES AVAILABLE!**

# SPECIFICATIONS

DATE: \_\_\_\_\_ MODEL NO: \_\_\_\_\_

PROJECT: \_\_\_\_\_

FLOOR STYLE  
MOP SINKS



### DIMENSIONS (in.)

MODEL	BOWL	A	B	C	G	L	W	APPROX. WT. (lbs.)
FLR-1	16X20X6	16	20	6	12	20	24	26
FLR-2	20X28X6	20	28	6	16	24	32	32
FLR-3	16X20X12	16	20	12	12	20	24	30
FLR-4	20X28X12	20	28	12	16	24	32	36
SIL-1	20X20X12	20	20	12		24-1/4	24-1/4	55

(Specifications Subject To Change)



North 421 Freya, Spokane, WA 99202 509-533-0808 / 800-726-0553 Fax: 509-535-1490 Website: <http://www.sspinc.net> E-mail: [ssp@sspinc.net](mailto:ssp@sspinc.net)