

Item No.:	_____	Qty. _____
Model No.:	_____	
Project No.:	_____	



14" Spec-Line Series Sinks

14" Deep Spec-Line Series Two Compartment Stainless Steel Sinks

- SL2C16X20-0
- SL2C18X18-0
- SL2C18X24-0
- SL2C18X30-0
- SL2C20X20-0
- SL2C20X28-0
- SL2C24X24-0
- SL2C24X30-0
- SL2C30X30-0

Options

- Overshelves & Pot Racks
- Skirts & End Splashes
- Faucets
- Additional Modified Faucet Holes
- Tub & Drainboard Modifications
- Tub Accessories
- Disposer Provisions
- Rotary Drain Options
- Undershelves
- Additional Front or Back Crossbracing
- Stainless Steel Flange Foot Option

Materials

- Sink & Bowl: 14 Ga. stainless steel
- Top: Backsplash is 14 gauge stainless steel.
- Legs: All sinks furnished with 1-5/8" (41.3 mm) diameter heavy gauge stainless steel tubing with stainless steel leg gussets and high impact corrosion resistant fully adjustable 1" (25.4 mm) feet.

Mechanical

- 1-1/8" (28.6mm) faucet holes on 8" (203.2mm) centers
- 3-1/2" (88.9mm) waste drain opening

Specifications

14" Spec-Line Series Sink, with two compartments, no drainboards, 10" backsplash, 14 gauge, stainless steel top and bowl, stainless steel H-frame legs & adjustable feet, raised 1-1/2" rolled edge, includes 3-1/2" basket strainer, NSF approved

Features

- 14 Ga. stainless steel
- Welded construction for consistent metal gauge thickness throughout
- 14" (355.6 mm) deep tub with 3/4" (19.1 mm) coved radius tub corners
- 10" (254 mm) backsplash with tile ledge for easy installation
- Raised 1-1/2" (38.1 mm) diameter rolled edge 3-1/2" (88.9 mm) drain with basket strainers included
- 1-5/8" (41.3 mm) stainless steel H-frame legs with 1" (25.4 mm) adjustable feet
- 2" (50.8 mm) divider between each tub



AUTOQUOTES



In keeping with our policy of continuing product improvement, Elkay SSP reserves the right to change product specifications without notice.

This specification describes an Elkay SSP product with design, quality and functional benefits to the user. When making a comparison of other producers' offerings, be certain these features are not overlooked.

Elkay SSP

421 N. Freya St.
Spokane, WA 99205
Phone: 800-726-0553 Fax: 509-535-1493

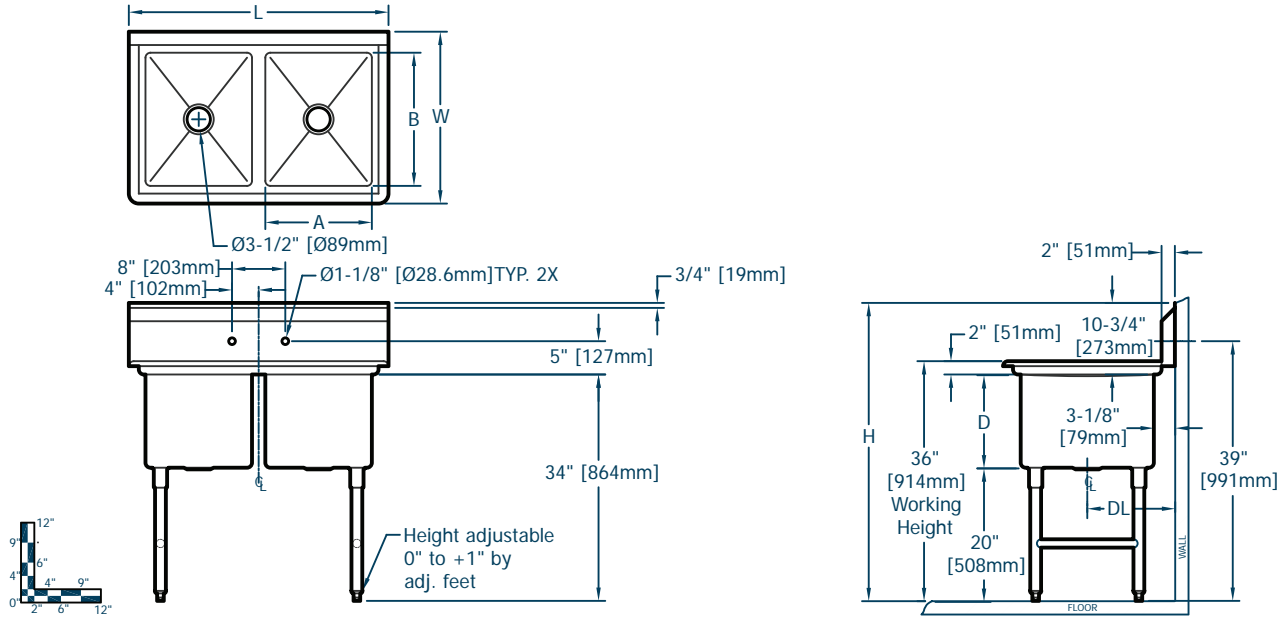
Website: www.sspinc.net
Email: sspsales@elkay.com
©2011 SSP INC.



Item No.: _____ Qty. _____
 Model No.: _____
 Project No.: _____

14" Spec-Line Series Sinks

14" Deep Spec-Line Series Two Compartment Stainless Steel Sinks



Spec-Line Series Sinks																			
Model Number	Bowl Dimensions						Overall Size			Drainboard		Drain		Weight					
	Width		Front-to-Back		Depth		Length		Width	Height		Location	Size DB	Location DL		lbs.	kg		
	in.	A mm	in.	B mm	in.	D mm	in.	L mm	in.	W mm	in.	H mm		in.	mm	in.	mm		
SL 2C 16 X 20 0	16	406	20	508	14	356	39	991	25.8	656	44.8	1137	No	0	0	13.1	333	152	69
SL 2C 18 X 18 0	18	457	18	457	14	356	43	1092	23.8	605	44.8	1137	No	0	0	12.1	308	158	72
SL 2C 18 X 24 0	18	457	24	610	14	356	43	1092	29.8	757	44.8	1137	No	0	0	15.1	384	175	79
SL 2C 18 X 30 0	18	457	30	762	14	356	43	1092	35.8	910	44.8	1137	No	0	0	18.1	460	184	84
SL 2C 20 X 20 0	20	508	20	508	14	356	47	1194	25.8	656	44.8	1137	No	0	0	13.1	333	186	84
SL 2C 20 X 28 0	20	508	28	711	14	356	47	1194	33.8	859	44.8	1137	No	0	0	17.1	435	180	82
SL 2C 24 X 24 0	24	610	24	610	14	356	55	1397	29.8	757	44.8	1137	No	0	0	15.1	384	211	96
SL 2C 24 X 30 0	24	610	30	762	14	356	55	1397	35.8	910	44.8	1137	No	0	0	18.1	460	232	105
SL 2C 30 X 30 0	30	762	30	762	14	356	67	1702	35.8	910	44.8	1137	No	0	0	18.1	460	272	123

