

Item No.:	_____	Qty.:	_____
Model No.:	_____		
Project No.:	_____		



Standard Series Work Table

Standard Work Table, Backsplash with Galvanized Undershef

24"

30"

36"

<input type="checkbox"/> WT24S30-BG	<input type="checkbox"/> WT30S30-BG	<input type="checkbox"/> WT36S36-BG
<input type="checkbox"/> WT24S36-BG	<input type="checkbox"/> WT30S36-BG	<input type="checkbox"/> WT36S48-BG
<input type="checkbox"/> WT24S48-BG	<input type="checkbox"/> WT30S48-BG	<input type="checkbox"/> WT36S60-BG
<input type="checkbox"/> WT24S60-BG	<input type="checkbox"/> WT30S60-BG	<input type="checkbox"/> WT36S72-BG
<input type="checkbox"/> WT24S72-BG	<input type="checkbox"/> WT30S72-BG	<input type="checkbox"/> WT36S84-BG
<input type="checkbox"/> WT24S84-BG	<input type="checkbox"/> WT30S84-BG	<input type="checkbox"/> WT36S96-BG
<input type="checkbox"/> WT24S96-BG	<input type="checkbox"/> WT30S96-BG	<input type="checkbox"/> WT36S108-BG
<input type="checkbox"/> WT24S108-BG	<input type="checkbox"/> WT30S108-BG	<input type="checkbox"/> WT36S120-BG
<input type="checkbox"/> WT24S120-BG	<input type="checkbox"/> WT30S120-BG	

Features

- 16 Gauge, 300 series stainless steel
- 4" Backsplash with 1" return
- Welded construction for consistent metal gauge thickness throughout
- Sound deadened between top and bottom hat channels with double sided tape
- 1-5/8" Galvanized legs with high impact plastic feet, adjustable up to 1"
- Fully adjustable galvanized undershef
- Shipped knocked down for reduced shipping costs and supplied with Allen wrench and screws

Materials

- **Top:** 16 Gauge, 300 series stainless steel, 1-3/4" turned-down edge
- **Legs:** 1-5/8" Diameter heavy gauge galvanized tubing with galvanized leg gussets and high impact plastic feet, adjustable up to 1"
- **Undershef:** Galvanized steel with 1-1/2" turned-down edge, fully adjustable

Options

- Custom Size / Height
- Cutout in Top (depending on size and location)
- Edge Modification
- Urn Trough
- Overshelves
- Undershelves
- Drawers
- Sink
- Splash
- Base Options
- Welded Set-Up
- Casters / Feet Upgrade

* For additional available options, contact Elkay SSP



AUTOQUOTES



In keeping with our policy of continuing product improvement, Elkay SSP reserves the right to change product specifications without notice.

This specification describes an Elkay SSP product with design, quality and functional benefits to the user. When making a comparison of other producers' offerings, be certain these features are not overlooked.

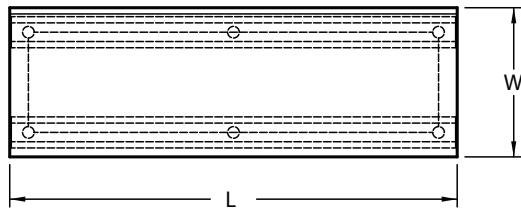
Elkay SSP

421 N. Freya St.
Spokane, WA 99205
Phone: 800-726-0553 Fax: 509-535-1493

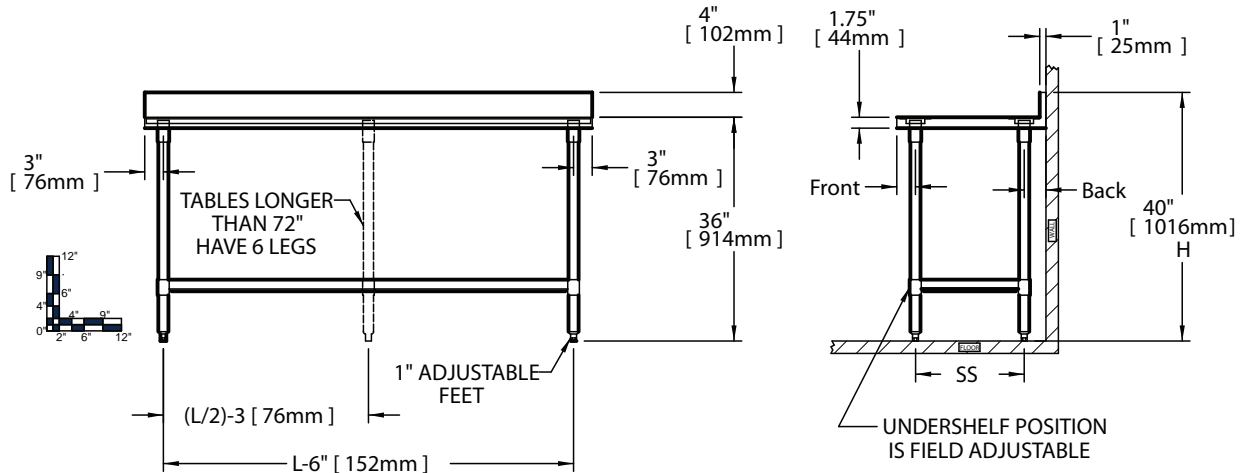
Website: www.sspinc.net
Email: sspsales@elkay.com
©2011 Elkay



Item No.: _____ Qty.: _____
 Model No.: _____
 Project No.: _____



Size of Undershef:
 Common length = subtract 6" from length
 24" Width = subtract 6.5" from width
 30" Width = subtract 7.45" from width
 36" Width = subtract 10" from width



24" Work Table				30" Work Table				36" Work Table				Legs		
Model Number	Overall Size		Weight	Model Number	Overall Size		Weight	Model Number	Overall Size		Weight			
	Length L	Height H			Length L	Height H			Length L	Height H				
	in.	mm	lbs. kg		in.	mm	lbs. kg		in.	mm	lbs. kg			
WT 24 S 30 - BG	30	762	40 1016	90 41	WT 30 S 30 - BG	30	762	40 1016	103 47				4	
WT 24 S 36 - BG	36	914	40 1016	101 46	WT 30 S 36 - BG	36	914	40 1016	113 51	WT 36 S 36 - BG	36	914	40 1016	128 58 4
WT 24 S 48 - BG	48	1219	40 1016	123 56	WT 30 S 48 - BG	48	1219	40 1016	137 62	WT 36 S 48 - BG	48	1219	40 1016	156 71 4
WT 24 S 60 - BG	60	1524	40 1016	150 68	WT 30 S 60 - BG	60	1524	40 1016	166 75	WT 36 S 60 - BG	60	1524	40 1016	191 87 4
WT 24 S 72 - BG	72	1829	40 1016	172 78	WT 30 S 72 - BG	72	1829	40 1016	191 87	WT 36 S 72 - BG	72	1829	40 1016	219 100 4
WT 24 S 84 - BG	84	2134	40 1016	209 95	WT 30 S 84 - BG	84	2134	40 1016	231 105	WT 36 S 84 - BG	84	2134	40 1016	264 120 6
WT 24 S 96 - BG	96	2438	40 1016	232 105	WT 30 S 96 - BG	96	2438	40 1016	257 117	WT 36 S 96 - BG	96	2438	40 1016	293 133 6
WT 24 S 108 - BG	108	2743	40 1016	262 119	WT 30 S 108 - BG	108	2743	40 1016	290 132	WT 36 S 108 - BG	108	2743	40 1016	331 150 6
WT 24 S 120 - BG	120	3048	40 1016	285 130	WT 30 S 120 - BG	120	3048	40 1016	315 143	WT 36 S 120 - BG	120	3048	40 1016	361 164 6

* Custom sizes also available

