



# CONVECTION OVEN

## CONCEPT

### COUNTERTOP CONVECTION OVENS

*From pastries to entrees...  
Bakes fast and evenly, intensifies and seals in flavor*

- Stainless steel exterior and interior construction
- 2 or 3 wire rack models; 4 bake tray capacity
- Rear fan and heater assembly creates true convection pattern
- Unique air flow design ensures quick and uniform baking
- 480°F thermostat and 120 minute timer
- Safety glass door with handle
- Aluminum bake pan included
- Compact footprint

### WINDSTAR

**FC-26 /1**  
120 V

**FC-26**  
208/240 V



**CAPACITY:** 2 wire racks and 1 bake tray included;  
4 bake trays (not included)

### BRIZA

**FC-280V/1**  
120 V

**FC-280V**  
208/240 V



### SIROCCO

**FC-34/1**  
120 V

**FC-34**  
208/240 V



**CAPACITY:** 3 wire racks and 1 bake tray included;  
4 bake trays (not included)

### TEMPEST

**FC-33/1**  
120 V

**FC-33**  
208/240 V



#### Convection oven/broiler

All features of FC-34 with two quartz heating elements overhead - convection and broiling modes operate separately



765 WESTMINSTER STREET PROVIDENCE, RI 02903  
TEL: (401)273-3300 FAX: (401)273-3328 E-mail: sales@equipex.com  
www.equipex.com





## CONVECTION OVEN/BROILER

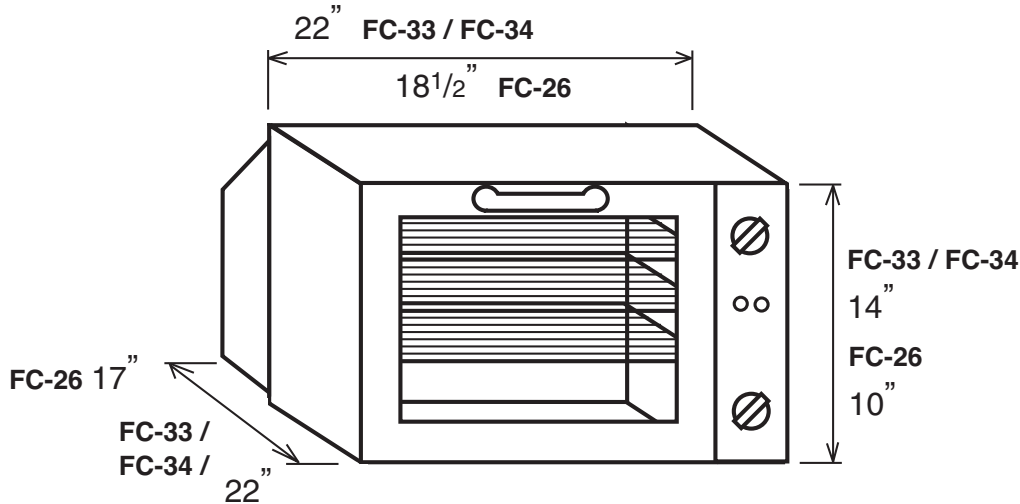
**FC-33/1**

**FC-33**

All features of FC-34 with two quartz heating elements overhead - convection and broiling modes operate separately

## CONVECTION OVENS

FC-26, FC-26/1, FC-34, FC-34/1



INSTALLATION CLEARANCE: 2" EACH SIDE, TOP AND 3" AT BACK

## SPECIFICATIONS

MODEL	ELECTRICAL	EXTERIOR DIMENSIONS	INTERIOR DIMENSIONS	SHIPPING WEIGHT	NEMA
FC-26	208/240V, 1PH, 2KW, 7/9 Amps	18 <sup>1</sup> / <sub>2</sub> "Wx17"Dx10"H	14"Wx12"Dx9"H	35 lbs	6-15 P
FC-26/1	120V, 1.7KW, 15 Amps	18 <sup>1</sup> / <sub>2</sub> "Wx17"Dx10"H	14"Wx12"Dx9"H	35 lbs	5-15 P
FC-33	208/240V, 1PH, 3KW, 13/15 Amps	22"Wx22"Dx14"H	16 <sup>3</sup> / <sub>8</sub> "Wx13 <sup>3</sup> / <sub>4</sub> "Dx10 <sup>3</sup> / <sub>8</sub> "H	45 lbs	6-15 P
FC-33/1	120V, 1.7KW, 15 Amps	22"Wx22"Dx14"H	16 <sup>3</sup> / <sub>8</sub> "Wx13 <sup>3</sup> / <sub>4</sub> "Dx10 <sup>3</sup> / <sub>8</sub> "H	45 lbs	5-15 P
FC-34	208/240V, 1PH, 3KW, 13/15 Amps	22"Wx22"Dx14"H	16 <sup>3</sup> / <sub>8</sub> "Wx13 <sup>3</sup> / <sub>4</sub> "Dx10 <sup>3</sup> / <sub>8</sub> "H	45 lbs	6-15 P
FC-34/1	120V, 1.7KW, 15 Amps	22"Wx22"Dx14"H	16 <sup>3</sup> / <sub>8</sub> "Wx13 <sup>3</sup> / <sub>4</sub> "Dx10 <sup>3</sup> / <sub>8</sub> "H	45 lbs	5-15 P
FC-280V	208/240V, 1PH, 2KW, 7/9 Amps	14 <sup>1</sup> / <sub>2</sub> "Wx21 <sup>1</sup> / <sub>8</sub> "Dx19 <sup>1</sup> / <sub>2</sub> "H	10 <sup>1</sup> / <sub>4</sub> "Wx12 <sup>5</sup> / <sub>8</sub> "Dx13"H	44 lbs	6-15 P
FC-280V/1	120V, 1.7KW, 15 Amps	14 <sup>1</sup> / <sub>2</sub> "Wx21 <sup>1</sup> / <sub>8</sub> "Dx19 <sup>1</sup> / <sub>2</sub> "H	10 <sup>1</sup> / <sub>4</sub> "Wx12 <sup>5</sup> / <sub>8</sub> "Dx13"H	44 lbs	5-15 P

**WARRANTY: Limited one year parts and labor**



765 WESTMINSTER STREET PROVIDENCE, RI 02903  
 TEL: (401)273-3300 FAX: (401)273-3328 E-mail: sales@equipex.com  
 www.equipex.com