



# CONVECTION OVEN

## CONCEPT



### HALF SIZE CONVECTION OVENS

*From pastries to entrees...*

*Bakes fast and evenly, intensifies and seals in flavor*

- ☐ Compact footprint with four (4) half size sheet pan capacity
- ☐ Stainless steel exterior and interior construction
- ☐ Four chrome plated wire shelves included
- ☐ Rear fan and heating assembly create true convection pattern
- ☐ Unique air flow design ensures quick and uniform baking
- ☐ Thermostatic control up to 570°F with 120 minute timer
- ☐ Cool-to-the-touch double glass door removable for easy cleaning
- ☐ Internal light allows for cooking visibility
- ☐ Optional manual steam feature (for FC-60)



### ARIEL

**FC-60/1**

120 V



**FC-60**

208/240 V

### PINNACLE

**FC-60G/1**

120 V



**FC-60G**

208/240 V

#### CAPACITY:

- (4) wire shelves 13"x18" (included)
- (4) half size sheet pans (12<sup>7</sup>/<sub>8</sub>"x17<sup>3</sup>/<sub>4</sub>"x1")
- (4) two-thirds size steam table pans (13<sup>7</sup>/<sub>8</sub>"x12<sup>3</sup>/<sub>4</sub>"x2<sup>1</sup>/<sub>2</sub>")

\*Manual steam feature option for FC-60

#### WITH TURBOQUARTZ® FEATURE

features infrared overhead broiling elements - convection and broiling modes operate separately or in combination



765 WESTMINSTER STREET PROVIDENCE, RI 02903  
 TEL: (401)273-3300 FAX: (401)273-3328 E-mail: sales@equipex.com  
 www.equipex.com

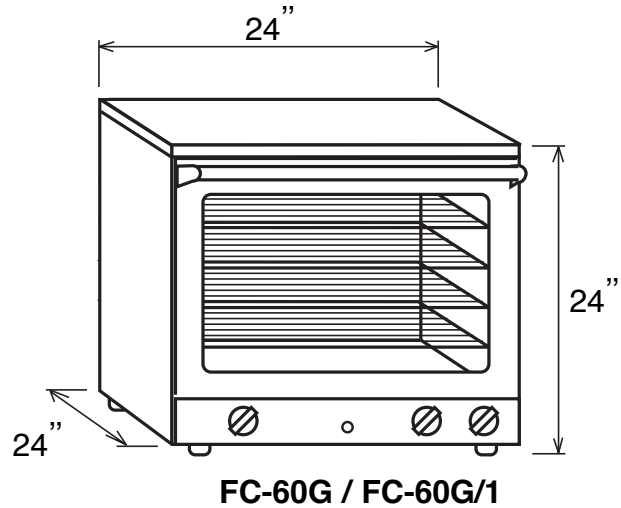
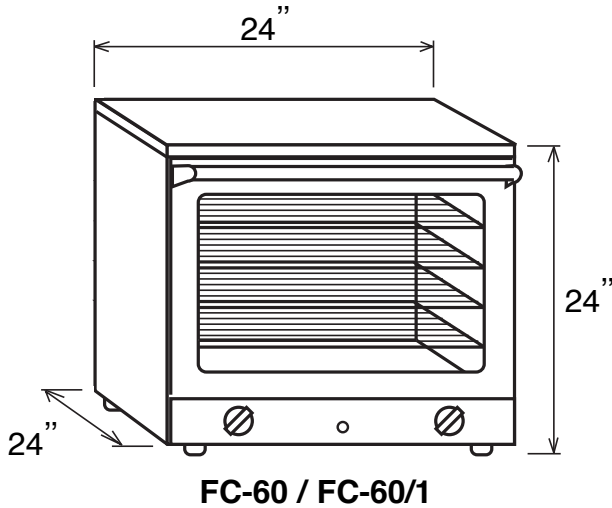


**HALF SIZE CONVECTION OVEN  
MODEL FC-60, FC-60/1**

\*Optional manual steam feature:  
- Cold water supply: 1/2" hose connection

**HALF SIZE CONVECTION OVEN  
WITH BROILER - TURBOQUARTZ®  
MODEL FC-60G, FC-60G/1**

All features of FC-60 with infrared heating elements overhead - convection and broiling modes operate separately or in combination



INSTALLATION CLEARANCE: 2" EACH SIDE, TOP AND BACK

**SPECIFICATIONS**

MODEL	ELECTRICAL	EXTERIOR DIMENSIONS	INTERIOR DIMENSIONS	SHIPPING WEIGHT	NEMA PLUG
*FC-60	208/240V, 1PH, 3.3KW, 13/15 Amps	24"Wx24"Dx24"H (add 4" for legs)	18 1/2"Wx14 1/2"x13 1/2"H	135 lbs	6-20P
*FC-60/1	120V, 1.7KW, 14 Amps	24"Wx24"Dx24"H (add 4" for legs)	18 1/2"Wx14 1/2"x13 1/2"H	135 lbs	5-15P
FC-60G	208/240V, 1PH, 3.3KW, 13/15 Amps	24"Wx24"Dx24"H (add 4" for legs)	18 1/2"Wx14 1/2"x12"H	135 lbs	6-20P
FC-60G/1	120V, 1.7KW, 14 Amps	24"Wx24"Dx24"H (add 4" for legs)	18 1/2"Wx14 1/2"x12"H	135 lbs	5-15P

**WARRANTY: Limited one year parts and labor**



765 WESTMINSTER STREET PROVIDENCE, RI 02903  
 TEL: (401)273-3300 FAX: (401)273-3328 E-mail: sales@equipex.com  
 www.equipex.com