



# BOTTOM MOUNT REACH-IN DUAL TEMPS

Bottom Mounted Condensing Unit

## EB – Series

• EBWRFH2 • EBRF2 • EBRF2-D • EBRF3

### Cabinet Construction

Heavy duty stainless steel interior and exterior, and galvanized steel finished top, bottom and back wall of exterior. ABS evaporator drain cover. 2.5" thick high density foamed-in-place polyurethane insulation. Four 4" diameter casters (front casters with brakes). Door heater installation around inside cabinet frame to prevent moisture build-up.

### Refrigeration System

- Bottom mounted condensing unit
- Oversized condenser and evaporator coil cools to set and maintain temperature in minimum time period
- Forced-air cooling with dual evaporator fan motors providing balanced airflow throughout cabinet to ensure faster temperature drop
- Environmentally friendly CFC free R-134A and R-404A refrigerant
- Adjustable, time initiated defrost cycle of 3 to 12 hours with 350 watt heater, both time and temperature terminated for fail-safe backup
- Automatic evaporator fan motor delay on defrost cycle
- Copper tube and aluminum fin evaporator with anti-corrosive coating
- Energy efficient condensate drain pan with wicking pads located at bottom of cabinet
- Pressure relief port located at top of cabinet for rapid re-entry
- Interior airflow backward to ensure proper air circulation
- Pre-wired and ready to plug, 115V/60Hz/1Ph, NEMA 5-15P

### Doors

- Heavy duty stainless steel interior and exterior
- 2.5" thick high density foamed-in-place polyurethane insulation
- Heavy duty adjustable torsion spring self-closing door system
- One piece snap-in magnetic door gasket for easy replacement
- Heavy duty recessed door handles for a flat surface
- Door locks
- Field reversible doors

### Lighting

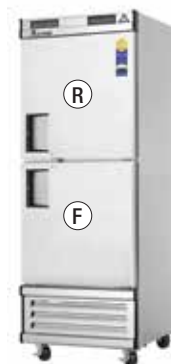
- Safety shielded incandescent interior lighting

### Shelving

- Three epoxy coated wire shelves per section
- Stainless steel pilasters and shelf clips

### Temperature Control

- Factory preset temperature, 35°F for refrigerators and -4°F for freezers
- Temperature setting range from 33°F to 54°F for refrigerators and -10°F to 54°F for freezers
- Easy to read digital temperature display
- Easy to program push button temperature control
- Microchip digital monitoring system provided with a variety of functions to monitor and maintain optimum temperature



EBWRFH2



EBRF2



EBRF2-D  
(Deep series)



EBRF3

• Project / Customer \_\_\_\_\_

• Item No. \_\_\_\_\_

• Model No. \_\_\_\_\_

### Warranty

5 Year — Compressor Warranty  
3 Year — Parts & Labor Warranty  
Applicable to units purchased after July 1, 2014



Please visit our website for updated Energy Efficiency information

201 W. Artesia Blvd, Compton, CA 90220  
T. (310) 323-6586, (800) 444-6285 F. (310) 323-7524  
[www.EVERESTref.com](http://www.EVERESTref.com)

# BOTTOM MOUNT REACH-IN DUAL TEMPS

Bottom Mounted Condensing Unit



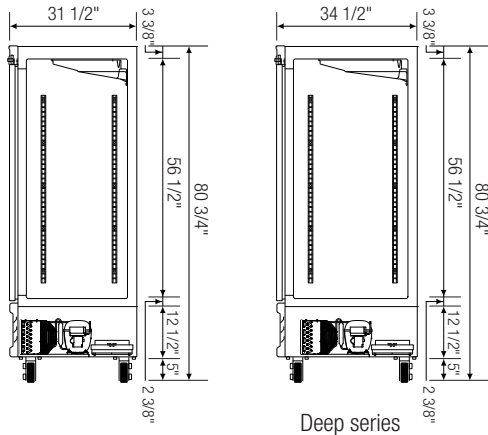
**EVEREST**  
REFRIGERATION

## EB – Series

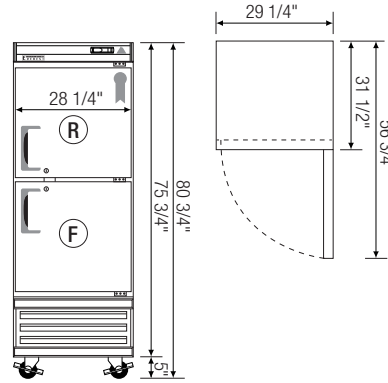
• EBWRFH2 • EBRF2 • EBRF2-D • EBRF3

### Dimensions

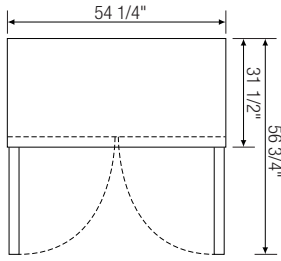
#### SIDE VIEW



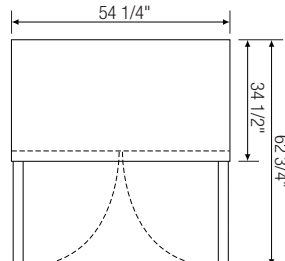
Deep series



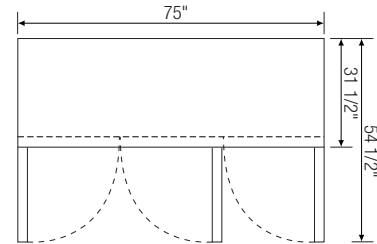
▲ EBWRFH2



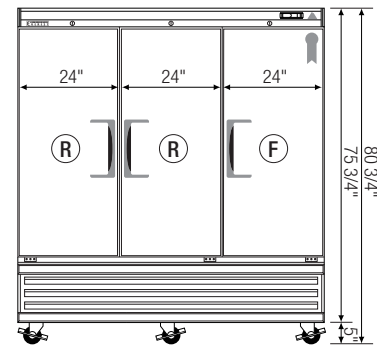
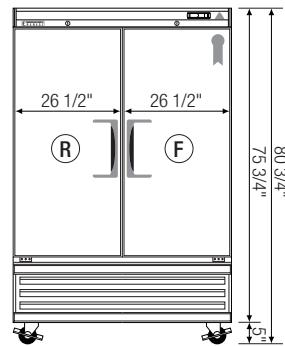
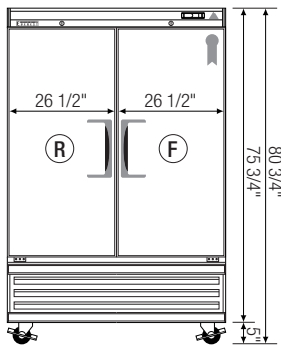
▲ EBRF2



▲ EBRF2-D  
(Deep series)



▲ EBRF3



Model	Ref/ Fzr/ Dual	# of Doors	Capacity (Cu.Ft.)	HP	Refrigerant	# of Shelves	Power (V-Hz-Ph)	Amps	Crated Weight (LBS)	Exterior Dimensions (Inches)			* Height does not include 5" for caster. Ref = Refrigerator Fzr = Freezer Dual = Ref & Fzr Combo H = Half Door
										L	D	H *	
EBWRFH2	Dual	2(H) 1(F)	9.64(Ref) 9.04(Fzr)	1/2+	R-404A	2	115-60-1	7.76	316	29 1/4	31 1/2	75 3/4	
EBRF2	Dual	2	20(Ref) 20(Fzr)	1/4(Ref) 1/2(Fzr)	R-134A(Ref) R-404A(Fzr)	6	115-60-1	11.08	529	54 1/4	31 1/2	75 3/4	
EBRF2-D	Dual	2	22(Ref) 22(Fzr)	1/3(Ref) 1/2(Fzr)	R-134A(Ref) R-404A(Fzr)	6	115-60-1	12.95	573	54 1/4	34 1/2	75 3/4	
EBRF3	Dual	2	38(Ref) 19(Fzr)	1/3+(Ref) 1/2+(Fzr)	R-134A(Ref) R-404A(Fzr)	9	115-60-1	14.06	592	75	31 1/2	75 3/4	

**Disclaimer:** Product dimensions are for general purposes and not absolute value. Slight variations may exist. If dimensions are critical, please contact Everest.

Specifications subject to change without notice.

[www.EVERESTref.com](http://www.EVERESTref.com)

201 W. Artesia Blvd, Compton, CA 90220  
T. (310) 323-6586, (800) 444-6285 F. (310) 323-7524