



DRAWERED UNDERCOUNTER REFRIGERATORS

Back Mounted Condensing Unit

ETB – Series

• ETBR1-D2 • ETBSR2-D2 • ETBR2-D4 • ETBWR2-D4 • ETBR3-D2

Cabinet Construction

Heavy duty stainless steel interior and exterior, and galvanized steel finished bottom and back wall of exterior. High quality 16 gauge stainless steel worktop, ABS evaporator drain cover. 2.5" thick high density foamed-in-place polyurethane insulation. Four 4" diameter casters (front casters with brakes). Door heater installation around inside cabinet frame to prevent moisture build-up.

Refrigeration System

- Back mounted condensing unit
- Oversized condenser and evaporator coil cools to set and maintain temperature in minimum time period
- Forced-air cooling with oversized evaporator fan motors providing balanced airflow throughout cabinet to ensure faster temperature drop
- Slide-out condensing unit for convenient repair and maintenance
- Front air breathing for built-in applications
- Environmentally friendly CFC free R-134A refrigerant
- Air defrost controlled by electrical timer
- Copper tube and aluminum fin evaporator with anti-corrosive coating
- Energy efficient condensate drain pan assembly heated by high side copper tube
- Pressure relief port located at housing interior for rapid re-entry
- Pre-wired and ready to plug, 115V/60Hz/1Ph, NEMA 5-15P

Doors & Drawers

- Heavy duty stainless steel interior and exterior
- 2.5" thick foamed-in-place polyurethane insulation
- Rounded corners for a sleek and modern appearance
- Heavy duty adjustable torsion spring self-closing door system
- One piece snap-in magnetic door and drawer gasket for easy replacement
- Heavy duty recessed door and drawer handles for a flat surface
- Heavy duty 304 stainless steel drawer frames with low-friction bearing slides
(Note: refer to the website for *pan configurations*)

Shelving (Model ETBR3-D2)

- Two epoxy coated wire shelves per door
- Stainless steel pilasters and shelf clips

Temperature Control

- Factory preset temperature, 35°F
- Temperature setting range from 33°F to 41°F
- Easy to set analog thermostat

Option

- 4" high stainless steel backsplash for worktop use



ETBR1-D2



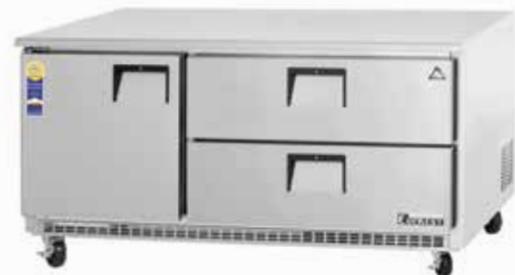
ETBSR2-D2



ETBR2-D4



ETBWR2-D4



ETBR3-D2

• Project / Customer _____
 • Item No. _____
 • Model No. _____

Warranty

5 Year — Compressor Warranty
 3 Year — Parts & Labor Warranty
 Applicable to units purchased after July 1, 2014



Please visit our website for updated Energy Efficiency information

201 W. Artesia Blvd, Compton, CA 90220
 T. (310) 323-6586, (800) 444-6285 F. (310) 323-7524
www.EVERESTref.com

DRAWERED UNDERCOUNTER REFRIGERATORS

Back Mounted Condensing Unit



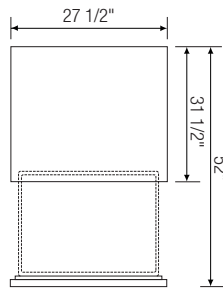
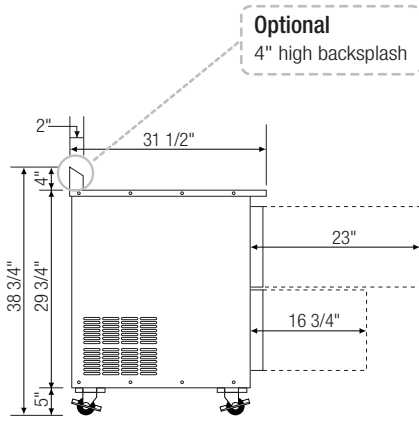
EVEREST REFRIGERATION

ETB – Series

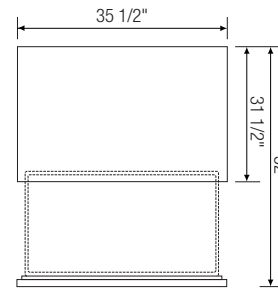
• ETBR1-D2 • ETBSR2-D2 • ETBR2-D4 • ETBWR2-D4 • ETBR3-D2

Dimensions

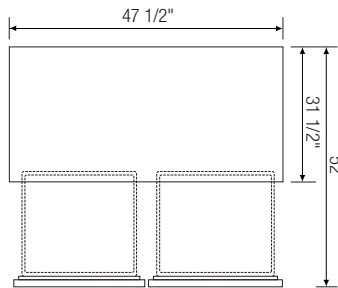
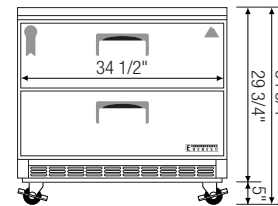
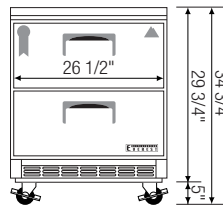
SIDE VIEW



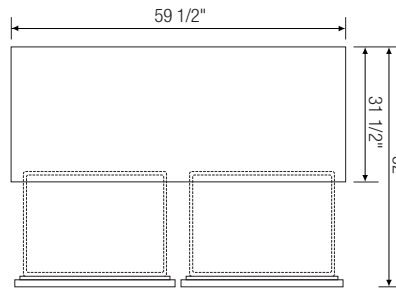
▲ ETBR1-D2



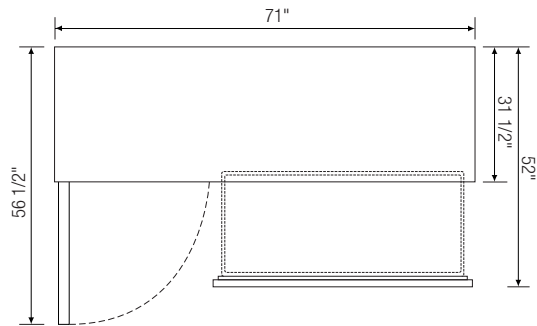
▲ ETBSR2-D2



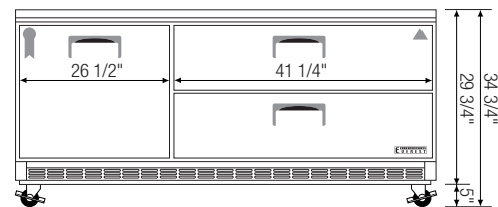
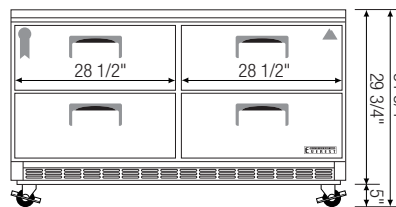
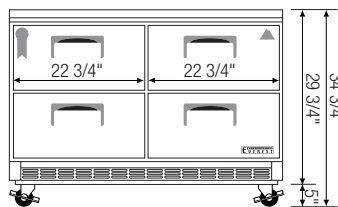
▲ ETBR2-D4



▲ ETBWR2-D4



▲ ETBR3-D2



Model	Ref/ Fzr/ Dual	# of Doors & Drawers	Capacity (Cu.Ft.)	HP	Refrigerant	# of Shelves	# of Pans ^a	Power (V-Hz-Ph)	Amps	Crated Weight (LBS)	Exterior Dimensions (Inches)			* Height does not include 5" for caster. ^a Drawer pans are not included in the products. Ref = Refrigerator Fzr = Freezer Dual = Ref & Fzr Combo D = Door DR = Drawer
											L	D	H *	
ETBR1-D2	Ref	2(DR)	5.6	1/6	R-134A	N/A	1/2 x 4 1/4 x 2	115-60-1	4.10	205	27 1/2	31 1/2	29 3/4	
ETBSR2-D2	Ref	2(DR)	7.5	1/6	R-134A	N/A	1/2x4, 1/3 x1 1/4x2, 1/6 x1	115-60-1	4.40	246	35 1/2	31 1/2	29 3/4	
ETBR2-D4	Ref	4(DR)	10.3	1/6	R-134A	N/A	1/2x4, 1/3 x4 1/4x2, 1/6 x2	115-60-1	4.40	284	47 1/2	31 1/2	29 3/4	
ETBWR2-D4	Ref	4(DR)	15	1/4	R-134A	N/A	1/2x4, 1/3 x8 1/4x2, 1/6 x4	115-60-1	4.70	330	59 1/2	31 1/2	29 3/4	
ETBR3-D2	Ref	1(D) 2(DR)	18.3	1/3	R-134A	2	1/2x2, 1/3 x8 1/4x1, 1/6 x4	115-60-1	5.20	363	71	31 1/2	29 3/4	

Disclaimer: Product dimensions are for general purposes and not absolute value. Slight variations may exist. If dimensions are critical, please contact Everest.

Specifications subject to change without notice.

www.EVERESTref.com

201 W. Artesia Blvd, Compton, CA 90220
T. (310) 323-6586, (800) 444-6285 F. (310) 323-7524