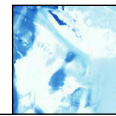


DEEP UNDERCOUNTER WORKTOP TABLES



Project _____
 Location _____
 Item # _____
 Qty _____

SUR/SWR SERIES

Models: **SUR-46** **SUR-67**
 SWR-46 **SWR-67**

Standard Features

- Stainless steel exterior and interior finish, ABS plastic interior door liner. S/S coved corner floor.
- CFC-Free polyurethane insulation - foamed in place.
- Standard with rail system which holds (2) shelves per door and rails that can also accommodate (2) 12" x 20" foodservice pans (pans sold separately).
- Optional: Universal pan rails to be able to accommodate (1) 18" x 26" bun trays or (2) 18" x 13" half bun trays (trays sold separately).
- 19" full length removable and reversible white polyethylene cutting board.
- 4" fixed coved corner backsplash. (FWR)
- Oversized and balanced refrigeration system (R-134A)
- Self closing doors with 120° stay open feature for convenient loading and unloading of products.
- Adjustable heavy duty epoxy coated wire shelves.
- 5" diameter swivel castors standard, front 2 with brakes.



SWR-46 Shown



SUR-67 Shown



Conforms to UL and NSF-7 standards

UNDERCOUNTER

Model	Doors	Capacity	Shlvs.	Amps	HP	Voltage	NEMA Plug	Cord Length	Cabinet Dimensions			Shipping	
									L	D*	H**	Wt.	Cubes
SUR-46	1	9.9 <small>(280 liters)</small>	2	5.2	1/4	115/60/1	5-15P	8' <small>(2.439mm)</small>	46" <small>(1169 mm)</small>	32" <small>(813 mm)</small>	30" <small>(762 mm)</small>	318 <small>(144 Kg)</small>	43 <small>(1.217 m³)</small>
SUR-67	2	18.6 <small>(527 liters)</small>	4	7.2	1/3	115/60/1	5-15P	8' <small>(2.439mm)</small>	67-1/4" <small>(1708 mm)</small>	32" <small>(813 mm)</small>	30" <small>(762 mm)</small>	490 <small>(222.1 Kg)</small>	62 <small>(1.755 m³)</small>

WORKTOP

SWR-46	1	9.9 <small>(280 liters)</small>	2	5.2	1/4	115/60/1	5-15P	8' <small>(2.439mm)</small>	46" <small>(1169 mm)</small>	32" <small>(813 mm)</small>	34" <small>(864 mm)</small>	318 <small>(144 Kg)</small>	43 <small>(1.217 m³)</small>
SWR-67	2	18.6 <small>(527 liters)</small>	4	7.2	1/3	115/60/1	5-15P	8' <small>(2.439mm)</small>	67-1/4" <small>(1708 mm)</small>	32" <small>(813 mm)</small>	34" <small>(864 mm)</small>	490 <small>(222.1 Kg)</small>	62 <small>(1.755 m³)</small>

*Depth does not include 1" bumper. **Height does not include 5" casters (6" overall) or 6" optional legs.



Fagor Commercial, Inc.

13105 N.W. 47th Avenue

Miami, FL 33054 USA

Ph: (305) 779 - 0170 • Fax: (305) 779 - 0173

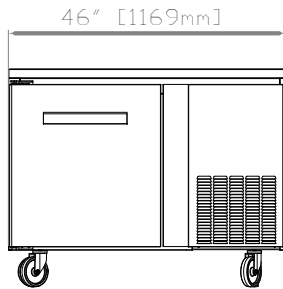
Toll Free: 1 - 866 - GO FAGOR



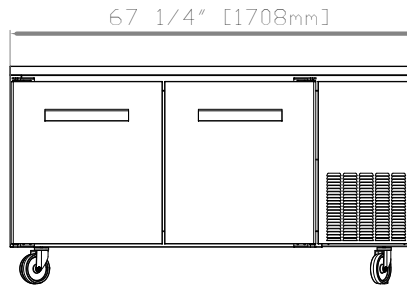
www.fagorcommercial.com

SUR/SWR SERIES

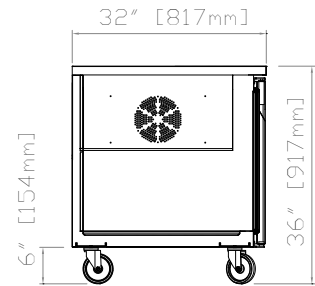
DEEP UNDERCOUNTER WORKTOP TABLES



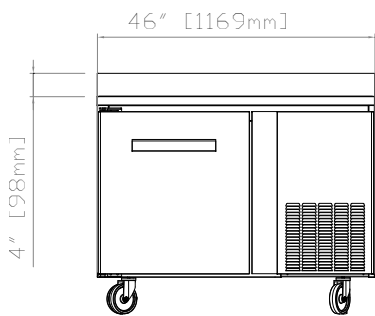
SUR-46 FRONT



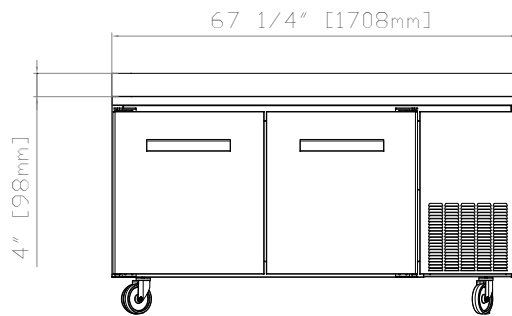
SUR-67 FRONT



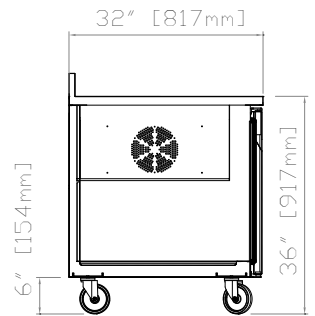
SUR SECTION



SWR-46 FRONT



SWR-67 FRONT



SWR SECTION

SPECIFICATIONS

Construction: Heavy duty stainless steel exterior top, front and sides. Aluminized back panel. Interior completely constructed of heavy duty stainless steel floor. (SWR) 4" covered fixed backsplash.

Door is stainless steel exterior, step design ABS plastic interior with S/S hinged solid doors and positive seal. Magnetic door gaskets removable without tools, self closing with 120° stay open feature.

Recessed door handle. Door heaters provided on all freezers. Door openings have a plastic breaker strips to retard condensate formation.

Unit comes complete with a 2" CFC-Free polyurethane insulation, foamed in place. Two adjustable epoxy coated shelves provided per section.

Refrigeration system: Self contained capillary tube system using environmentally friendly (CFC Free) refrigerant. (R-134a) Front breathing for built-in applications. Epoxy coated evaporator coil is mounted to interior top panel encased in stainless steel. Large fan motor and fan blades for better air flow.

Tables are designed to maintain temperatures between 33° F to 38° F in the interior cabinet during normal operations.

Others: Unit is supplied standard with an 8' cord and plug (Nema 5-15p). Standard 4" diameter castors, front 2 with brakes.

Warranty: One year labor and parts warranty. 5 year compressor warranty (Continental U.S.A. and Canada only).

Accessories:

- 6" adjustable legs (set of 4)
- 2-1/2" castors (set of 4)
- Epoxy coated shelves with supports
- 16 gauge S/S top
- S/S back panel
- Universal pan rails
- Shelf supports
- Factory reverse hinging, 46" unit only
- 220 volts / 50 cycles / 1 phase



Fagor Commercial, Inc.

13105 N.W. 47th Avenue
Miami, FL 33054 USA

Ph: (305) 779 - 0170 • Fax: (305) 779 - 0173

Toll Free: 1 - 866 - GO FAGOR

www.fagorcommercial.com

The manufacturer reserves the rights to modify materials and specifications without notice.
Printed in the USA • 05/10