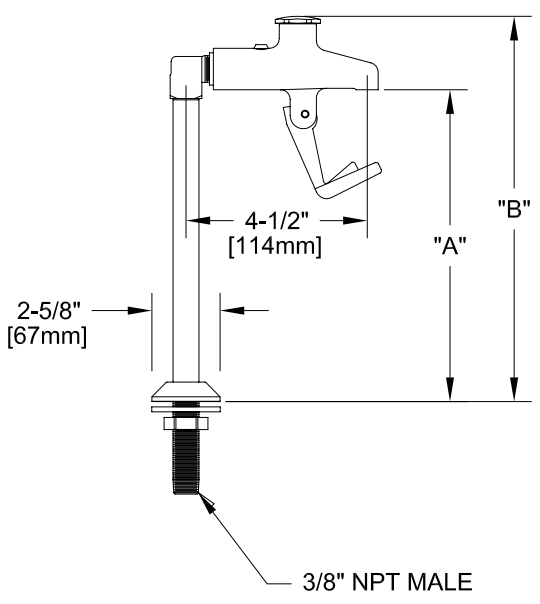


PRODUCT NAME: STAINLESS STEEL PEDESTAL GLASS FILLER

- MODEL:
- 54194 WITH 8" PEDESTAL
 - 54186 WITH 10" PEDESTAL
 - 59099 WITH 12" PEDESTAL
 - 59102 WITH 14" PEDESTAL

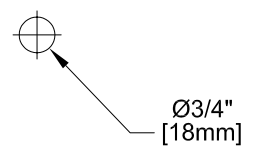
- FEATURES
- * STAINLESS STEEL HEAD
 - * TAMPER PROOF VOLUME CONTROL
 - * HANDLES BOTH PAPER & GLASS CUPS
 - * NON-MARRING DELRIN PRONG
 - * STAINLESS STEEL SEAT SCREW
 - * STAINLESS STEEL STREAM STRAINER

- SYSTEM LIMITS
- * TEMP: 40°F MIN. TO 140°F MAX.
 - * PRESSURE: 100 PSI MAX. STATIC
 - * 2.2 GPM AT 80 PSI
- * NSF 61-9 APPROVED & LISTED
www.truesdail.com



MODEL	DIM "A"	DIM "B"
54194	8" [203mm]	9-3/4" [248mm]
54186	10" [254mm]	11-3/4" [299mm]
59099	12" [305mm]	13-3/4" [350mm]
59102	14" [356mm]	15-3/4" [400mm]

ROUGH-IN:



FISHER

FISHER MANUFACTURING COMPANY
 TOLL FREE: 800-421-6162 - FAX: 800-832-8238
information@fisher-mfg.com - www.fisher-mfg.com