



Performance Features:

Portable Hand Sink Self-Contained Electric Hand Washing System

HS-24 Single System

Includes:

- ◇ One (1) 5 gallon Fresh Water Tank
- ◇ One (1) 7 gallon Waste Water Tank
- ◇ Water Heater: 2.5 gallon (120v)
- ◇ Water Pump (120v)
- ◇ GFCI outlet with 12' cord
- ◇ Paper Towel Holder
- ◇ Soap Dispenser



HS-24



HS-35

HS-35 Double System

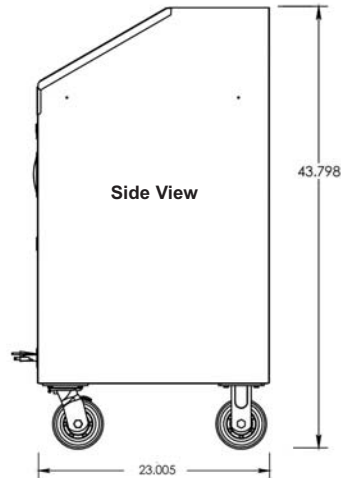
Includes:

- ◇ Two (2) 5 gallon Fresh Water Tanks
- ◇ Two (2) 7 gallon Waste Water Tanks
- ◇ Water Heater: 2.5 gallon (120v)
- ◇ Water pump (120v)
- ◇ GFCI outlet with 12' cord
- ◇ Paper Towel Holder
- ◇ Soap Dispenser



Portable Hand Sink Self-Contained Electric Hand Washing System

Specifications:



Dimensions:

HS-24 Single System

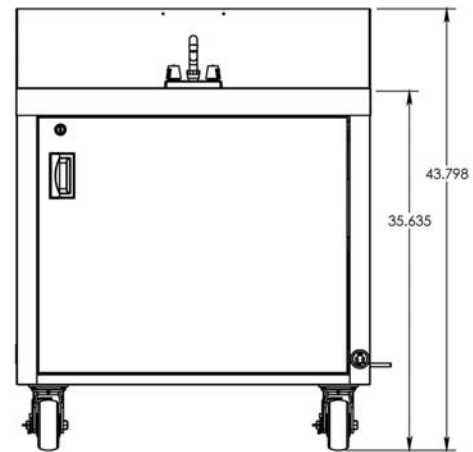
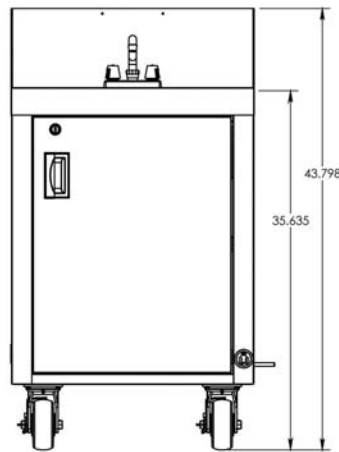
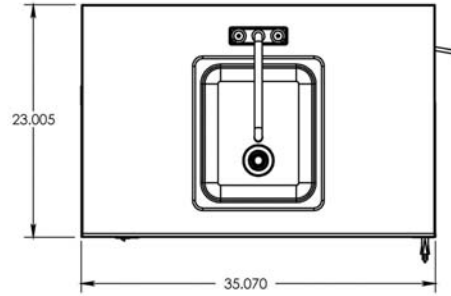
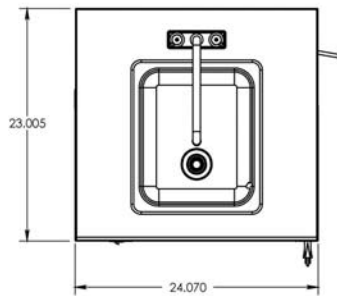
Height: 44" (1118mm)
 Depth: 23" (584mm)
 Width: 24" (610mm)

HS-35 Double System

Height: 44" (1118mm)
 Depth: 23" (584mm)
 Width: 35" (889mm)

Electrical Data:

Volts: 120
 Watts: 1536
 Amps: 12.8
 Hertz: 50 / 60
 Phase: Single
 NEMA Plug: 5-15P



Optional Accessories:

- Key locking door latch
- Paddle latch
- Padlocking transport latch
- Left hand door hinging
- All swivel or larger casters
- Full perimeter bumper

All rights reserved. All specifications subject to change without notice. Errors subject to correction. © 13 Food Warming Equipment Company, Inc.