

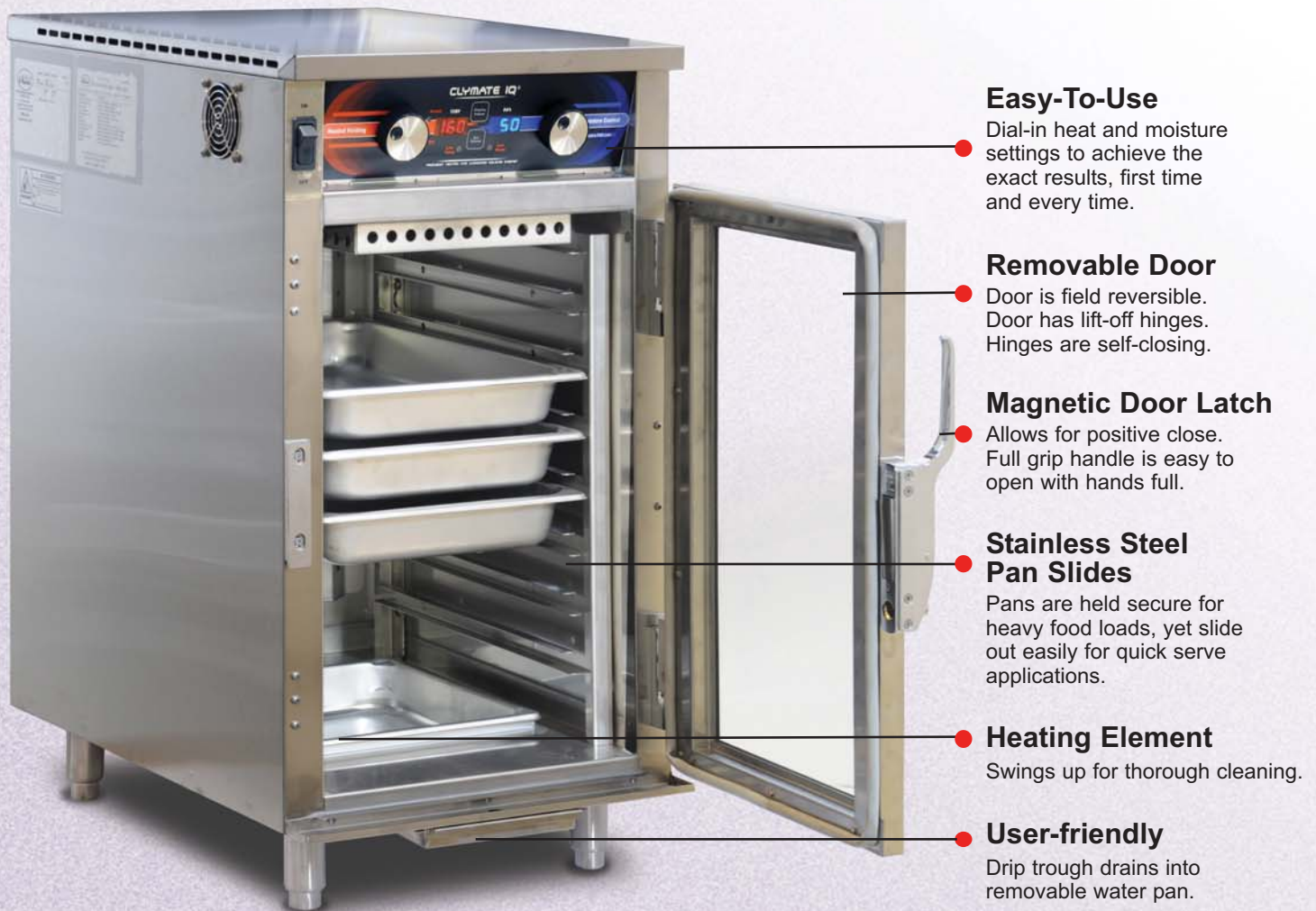


Performance Features:

CLYMATE IQ® Precision Heated and Humidified Holding Cabinet

Compact unit fits under-counter or on counter-top.
Racks support pans at various depths:

CAPACITY:	12" x 20" Pans	GN 1/1 Pans
8 Pans	2.5" Deep	65 mm
4 Pans	4" Deep	100 mm
3 Pans	6" Deep	150 mm



PHTT-1220-8

Shown with Full Glass Door and 4" Counter Legs optional accessories.

All rights reserved. All specifications subject to change without notice. Errors subject to correction. © 13 Food Warming Equipment Company, Inc.

FOOD WARMING EQUIPMENT COMPANY, INC
7900 S IL Route 31 Crystal Lake IL 60014 | 800 222 4393 | 815 459 7500 | Fax: 815 459 7989 | www.FWE.com



CLYMATE IQ® Precision Heated and Humidified Holding Cabinet

Specifications:

Capacity:

12" x 20" Pans @ 2.625" Spacings

8 Pans 2.5" Deep

4 Pans 4" Deep

3 Pans 6" Deep

GN 1/1 Pans @ 66.7mm Spacings

8 Pans 65 mm

4 Pans 100 mm

3 Pans 150 mm

Dimensions:

Height: 36" (914mm)

Depth: 30.5" (775mm)

Width: 18" (457mm)

Electrical Data:

Volts: 120

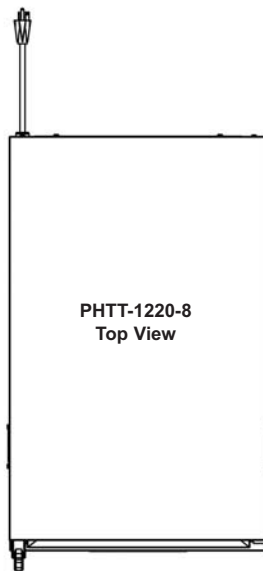
Watts: 2380

Amps: 19.8

Hertz: 60

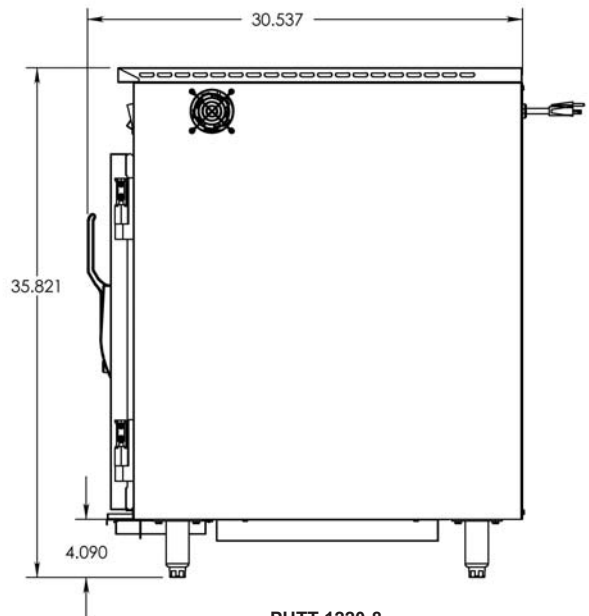
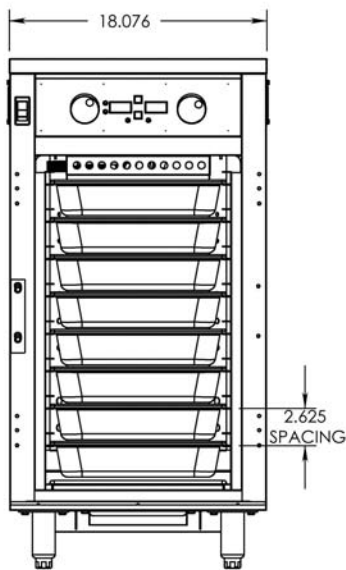
Phase: Single

NEMA Plug: 5-20P



Optional Accessories:

- Full glass door
- Key locking door latch
- Magnetic latch
- Paddle latch
- Padlocking security latch
- Left hand door hinging
- Tubular handles
- Corner bumpers
- Stacking kit
- Security packages
- Custom pan slide spacings
- All swivel or larger casters
- 6" floor legs
- 4" counter legs



All rights reserved. All specifications subject to change without notice. Errors subject to correction. © 13 Food Warming Equipment Company, Inc.

FOOD WARMING EQUIPMENT COMPANY, INC

7900 S IL Route 31 Crystal Lake IL 60014 | 800 222 4393 | 815 459 7500 | Fax: 815 459 7989 | www.FWE.com