



# Master Series Heavy Duty Double and Single Oven

Item: \_\_\_\_\_  
 Quantity: \_\_\_\_\_  
 Project: \_\_\_\_\_  
 Approval: \_\_\_\_\_  
 Date: \_\_\_\_\_

Master Series Heavy Duty Double and Single Oven

Models:

- M1R                       M2R

Range Match Double or Single ovens



Model M2R

### Standard Features:

- Stainless steel front, black powder coat epoxy sides.
- 6" (152mm) chrome steel adjustable legs
- Piezo Spark ignition for oven
- 40,000 BTU (11.72kW) natural gas, 35,000 BTU (10.25kW) propane gas cast iron oven burner
- Fully porcelainized oven interior

### Optional Features:

- Gas regulator 3/4" or 1-1/4"
- Gas shut off valve; 3/4", 1" or 1-1/4" NPT
- Gas flex hose & quick disconnect (3/4", 1" or 1-1/4" NPT x 5') w/restraining device, please specify
- End caps and cover (NC, specify)
- Stainless steel left, right or both sides or main back

- Stainless steel oven interior
- Additional oven rack
- Rear gas connection, 3/4" or 1-1/4" NPT
- Convection oven base, add C to model #, e.g. M1RC, M2RC (Note: Lower oven only convection, top oven standard on model M2RC)
- Swivel casters (4 )w/front brakes
- Polyurethane non-marking swivel casters w/front brakes
- 6" (152mm) stainless steel adjustable legs
- Dais base (not for use with RC oven)
- 230 volt, 50 cycle components, RC motor (export)
- Celsius dial for oven thermostat (no charge)

### Specification:

Heavy duty gas range match general purpose oven, Model #M1R, single deck with stainless steel work top and Model #M2R double deck. Ovens manifold and battery with Master Series cooking units. 34" (864mm) wide x 38" (965mm) deep. Porcelain enamel oven interior measuring 26-1/4" (667mm) wide x 13-1/2" (343mm) high x 29" (737mm) deep. 40,000 BTU (11.72kW) cast iron oven burner. Stainless steel front with black powder coat epoxy sides. 40,000 BTU (11.72kW) total single deck, and 80,000 BTU (23.44kW) total double deck. Natural or propane gas.



NOTE: Ovens supplied with casters must be installed with an approved restraining device.

Garland  
 1333 East 179th Street  
 Cleveland, Ohio 44110  
 Phone: 800-424-2411  
 Fax: 800-624-0218

Garland Commercial Ranges Ltd  
 1177 Kamato Road,  
 Mississauga, Ontario  
 L4W 1X4 CANADA  
 Phone: 905-624-0260  
 Fax: 905-624-5669



Product	Width: In(mm)	Depth: In(mm)	Height: In(mm) (w/ NSF Legs)	Height: In(mm) (w/o NSF Legs)	Oven Interior: in(mm)		
					Width	Depth	Height
<b>M1R</b>	34(864)	38(965)	36-3/8(924)	30-3/8(772)	26-1/4(667)	29(737)*	13-1/2(343)
<b>M2R</b>	34(864)	38(965)	60-3/8(1534)	54-3/8(1381)	26-1/4(667)	29(737)	13-1/2(343)

\*RC oven is 25"(635mm) deep,

INPUT-BTU/hr	M1R & M1RC		M2R & M2RC	
	Natural	Propane	Natural	Propane
<b>Oven</b>	40,000 (11.72kW)	35,000 (10.25Kw)	80,000 (23.44kW)	70,000 (20.50kW)
<b>TOTAL</b>	40,000 (11.72kW)	35,000 (10.25Kw)	80,000 (23.44kW)	70,000 (20.50kW)

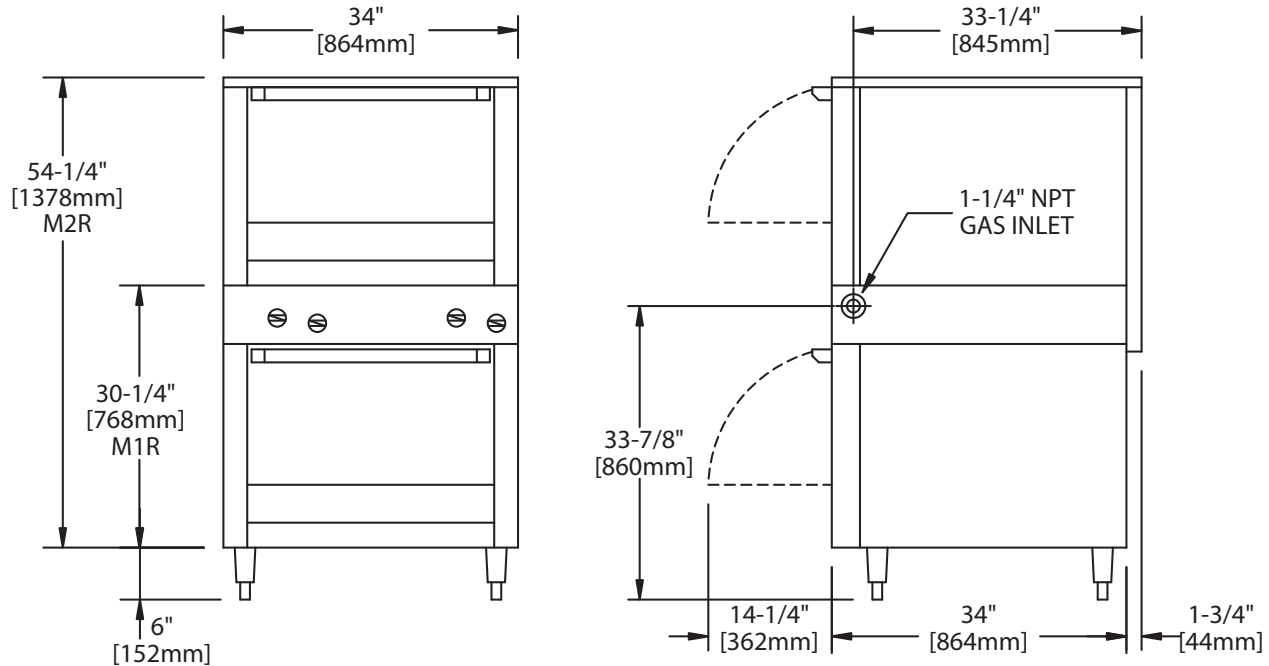
RC=Range w/Convection Oven R=Range w/Oven

INSTALLATION NOTES			Shipping Wt: (Lb/Kg) – Cu Ft
Combustible Wall Clearances <sup>1</sup>	Entry Clearances	Operating Pressure	
Sides: 6" (152mm) Back: 6" (152mm)	Crated: 39-1/4"(997mm) Uncrated: 34-1/4" (870mm)	Natural: 6 WC (15mbar) Propane: 10 WC (25mbar)	M1R 480/218 – 50 M2R 730/331– 100

<sup>1</sup>NOTE: Installation clearance reductions are applicable only where local codes permit.

Data applies only to North America  
Gas input ratings shown here are for installations up to 2,000 ft. (610m) above sea level.  
Specify altitudes over 2,000 ft.

Electrical characteristics each RC oven: 1/3 HP motor, 120 VAC, single phase, 3.4 amps, 6 ft. (1.8m) power cord with NEMA 5-15P plug provided. 230 VAC export is direct connect, single phase, 50 Hz.  
Please specify gas type when ordering.



Form# M1R, M2R (01/28/11)