



Polar Cuisine Self-Contained Refrigerated Or Freezer Base

Item: _____
 Quantity: _____
 Project: _____
 Approval: _____
 Date: _____

Models:

REFRIUERATION UNITS

- | | | | | |
|----------------------------------|-----------------------------------|-----------------------------------|-----------------------------------|-----------------------------------|
| <input type="checkbox"/> UN17C48 | <input type="checkbox"/> UN17C54 | <input type="checkbox"/> UN17C72 | <input type="checkbox"/> UN17C78 | <input type="checkbox"/> UN17C84 |
| <input type="checkbox"/> UN17C60 | <input type="checkbox"/> UN17C66 | <input type="checkbox"/> UN17C108 | <input type="checkbox"/> UN17C114 | <input type="checkbox"/> UN17C120 |
| <input type="checkbox"/> UN17C90 | <input type="checkbox"/> UN17C102 | | | |

FREEZER UNITS

- | | | | | | |
|-----------------------------------|-----------------------------------|-----------------------------------|-----------------------------------|-----------------------------------|-----------------------------------|
| <input type="checkbox"/> UN17FC48 | <input type="checkbox"/> UN17FC54 | <input type="checkbox"/> UN17FC60 | <input type="checkbox"/> UN17FC78 | <input type="checkbox"/> UN17FC84 | <input type="checkbox"/> UN17FC90 |
| <input type="checkbox"/> UN17FC66 | <input type="checkbox"/> UN17FC72 | | | | |

PHOTO NOT AVAILABLE

Standard Features

- Stainless steel exterior front and sides
- ABS interior door front and cabinet sides, stainless steel interior top, rear and bottom
- 6" (152mm) adjustable legs
- Compressor housing located on right end of unit standard
- Santoprene magnetic door gasket
- Heavy-duty stainless steel drawer slides with stainless steel bearings.
- Center located, flush mounted handle
- Front face mounted scroll type thermometer
- Compressor Tropicalized to 100° F (38°C)
- 5 year replacement parts compressor warranty; first year parts and labor

- Removable track assembly drawers with a 10 year warranty for parts
- Standard drawers with mullion between drawers accommodates 12"x 20" x 4" deep hotel pans
- Vertically mounted blower coil, HFC-404A refrigerant
- Hot gas condensate evaporator on refrigerator units, freezer units have electric condensate evaporator

Optional Features:

- Extra deep drawers with out mullion to accommodate 6" deep hotel pans (150mm deep Gn 1/1 pans)
- Casters
- Doors and tray racks to accommodate sheet pans in lieu of drawers, N/A on 32" drawers

Specifications:

US Range low height Self-Contained Refrigerated or Freezer Base to be exclusively used under US Range Heavy Duty Cuisine Series modular tops. Stainless steel exterior front and sides. ABS interior door front and cabinet sides, and stainless steel interior top, rear and bottom. Santoprene magnetic door gasket. Galvanized steel bottom and back of base. CFC free foamed in place insulation. Removable stainless steel roller drawer assembly with self lubricating rollers. Roller assemblies carry a 10 year parts warranty. Standard drawers accommodate 12" x 20" x 4" deep hotel pans HFC-404A refrigerant refrigeration system supplied with condensate evaporator. 6' cord and plug (North American models only come with NEMA 5-15 plug.). Vertically mounted blower coil on inside cabinet.. Units equipped with scroll type thermometer, 6" (152mm) adjustable legs standard.

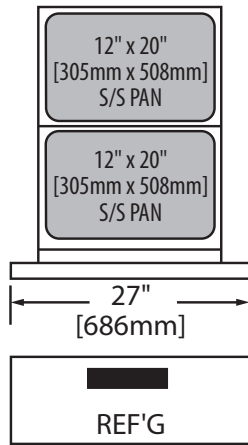


NOTE: Bases supplied with casters must be installed with an approved restraining device.

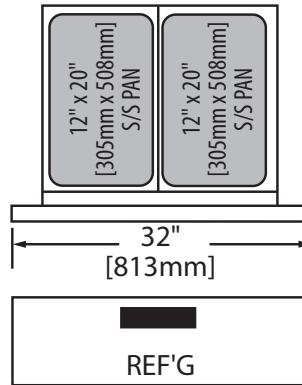
Polar Cuisine Self-Contained Refrigerated Or Freezer Base



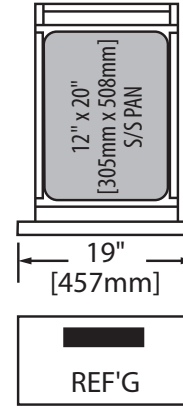
DRAWER CONFIGURATIONS



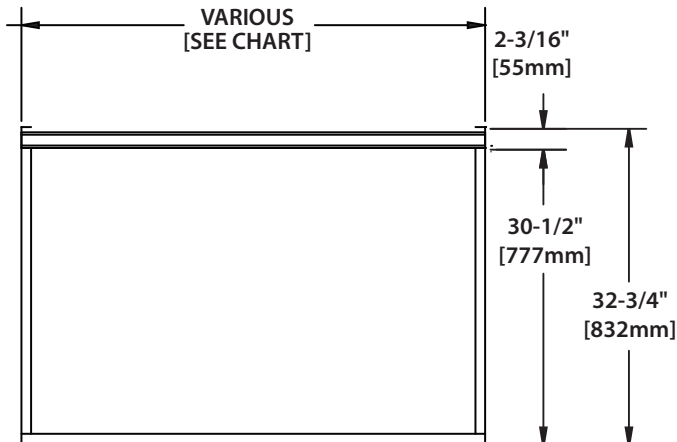
27" DRAWER



32" DRAWER

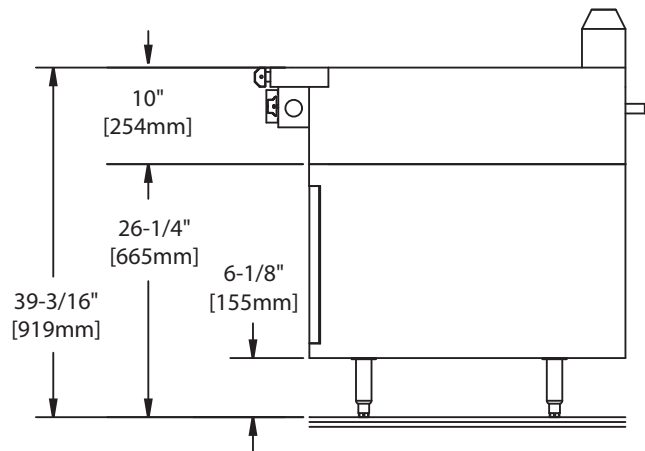
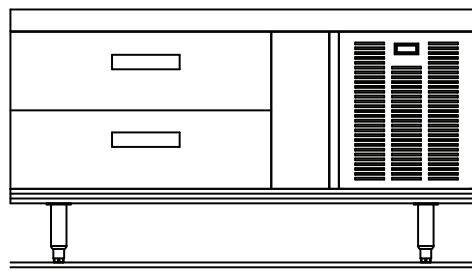


19" DRAWER



NOTE : All Bases must be order with Cuisine Series or combination of Cuisine Series Modular tops Only. Please specific when ordering modular tops if they are for refrigerated base mount.

U.S. Range products are not approved or authorized for home or residential use, but are intended for commercial applications only. U.S. Range will not provide service, warranty, maintenance or support of any kind other than in commercial applications.



**Self-Contained Refrigerators
Base Configuration (Left to Right)**

Model Number	Length In (mm)	Depth In (mm)	Height In (mm)	Draw Size Openings (2 drawers per section)			Full Size Hotel Pans
				19"	27"	32"	
UN17C48	48 (1219)	32-3/4 (832)	26-3/16 (665)		1		4
UN17C54	54 (1372)	32-3/4 (832)	26-3/16 (665)			1	4
UN17C60	60 (1524)	32-3/4 (832)	26-3/16 (665)	1	1		6
UN17C66	66 (1676)	32-3/4 (832)	26-3/16 (665)	1		1	6
UN17C72	72 (1829)	32-3/4 (832)	26-3/16 (665)		2		8
UN17C78	78 (1981)	32-3/4 (832)	26-3/16 (665)			2	8
UN17C84	84 (2134)	32-3/4 (832)	26-3/16 (665)			2	8
UN17C90	90 (2286)	32-3/4 (832)	26-3/16 (665)	1		2	10
UN17C102	102 (2591)	32-3/4 (832)	26-3/16 (665)			3	12
UN17C108	108 (2748)	32-3/4 (832)	26-3/16 (665)		2	2	12
UN17C114	114 (2896)	32-3/4 (832)	26-3/16 (665)		4		16
UN17C120	120 (3048)	32-3/4 (832)	26-3/16 (665)		4		16

**Self-Contained Freezer
Base Configuration (Left to Right)**

Model Number	Length In (mm)	Depth In (mm)	Height In (mm)	Draw Size Openings (2 drawers per section)			Full Size Hotel Pans
				19"	27"	32"	
UN17FC48	48 (1219)	32-3/4 (832)	26-3/16 (665)	1			2
UN17FC54	54 (1372)	32-3/4 (832)	26-3/16 (665)		1		4
UN17FC60	60 (1524)	32-3/4 (832)	26-3/16 (665)			1	4
UN17FC66	66 (1676)	32-3/4 (832)	26-3/16 (665)	2			4
UN17FC72	72 (1829)	32-3/4 (832)	26-3/16 (665)	2			4
UN17FC78	78 (1981)	32-3/4 (832)	26-3/16 (665)	1	1		6
UN17FC84	84 (2134)	32-3/4 (832)	26-3/16 (665)		2		8
UN17FC90	90 (2286)	32-3/4 (832)	26-3/16 (665)		2		8

**Self-Contained Refrigerators
Base Configuration (Left to Right)**

Model Number	Agency Reference Model #	H.P.	BTU	Volts/ Amps	Cu.FT. (crate)	Ship Weight lb/kg
UN17C48	000-201TP4TM	1/5	292	115/8	40	340/154
UN17C54	000-201TP4TN	1/5	373	115/8	45	360/163
UN17C60	000-201TP4TO	1/5	432	115/8	52	383/174
UN17C66	000-201TP4TP	1/5	536	115/8	56	434/197
UNI17C72	000-201TP4TQ	1/5	565	115/8	64	476/227
UNI17C78	000-201TP4TR	1/5	565	115/8	67	570325
UN17C84	000-201TP4TS	1/5	756	115/10	73	604/274
UN17C90	000-201TP4TT	1/4	756	115/10	77	655/297
UN17C102	000-201TP4TU	1/4	815	115/10	81	680/309
UN17C108	000-201TP4TV	1/4	852	115/10	85	730/331
UN17C114	000-201TP4TW	1/4	889	115/10	90	774/351
UN17C120	000-201TP4TX	1/4	995	115/10	95	808/367

**Self-Contained Freezer
Base Configuration (Left to Right)**

Model Number	Agency Reference Model #	H.P.	BTU	Volts/ Amps	Cu.FT. (crate)	Ship Weight lb/kg
UN17FC48	000-201TP4TY	1/3	802	115/10	40	340/154
UN17FC54	000-201TP4TZ	1/3	995	115/10	45	360/163
UN17FC60	000-201TP4T15	1/3	995	115/10	47	383/174
UN17FC66	000-201TP4T10	1/3	1116	115/12	52	434/197
UN17FC72	000-201TP4T11	1/3	1234	115/12	56	476/227
UN17FC78	000-201TP4T12	1/3	1399	115/16*	60	570325
UN17FC84	000-201TP4T13	1/3	1564	115/16*	64	604/274
UN17FC90	000-201TP4T14	1/3	1700	115/16*	73	655/297

*Note: Unit comes with Nema 5-20P plug

Note: All other North American units come with Nema 5-15P plug.

Form# PCSELF (08/17/11)