



Project Name: _____ AIA#: _____ Model #: _____

Location: _____ SIS#: _____ Item #: _____ Quantity: _____



10 Quart Countertop Mixer

*Built into each mixer is the quality
of workmanship and design
synonymous with Globe.*

Model

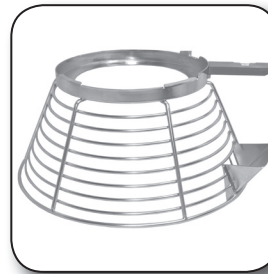
- SP10 - 10 Quart Planetary Mixer



Standard Features

- Powerful 1/3 HP custom built motor
- Three fixed speeds
- Gear-driven, high torque transmission
- Heat-treated hardened steel alloy gears and shafts
- Permanently lubricated transmission
- Thermal overload protection
- Front-mounted digital controls with 60 minute timer and last batch recall
- Rigid cast iron body
- NSF approved enamel gray paint
- Industry standard #12 attachment hub
- Safety interlocked bowl guard and bowl lift

- Non-slip rubber feet
- 6 foot cord and ground plug



- High-quality stainless steel removable bowl guard with built-in ingredient chute
- Interlocking guard is easy to attach and remove for cleaning
- Dish machine safe

Standard Accessories:

- 10 quart stainless steel bowl
- Flat beater (aluminum)
- Stainless steel wire whip
- Spiral dough hook (aluminum)

Warranty

- Two-year parts and one-year labor

Optional:

- Slicer/shredder/grater for #12 hub
- Meat grinder for #12 hub
- Flat beater (stainless steel)
- Spiral dough hook (stainless steel)
- Mixer table with undershelf
- Extended Warranty (More options on back)

GLOBE FOOD EQUIPMENT COMPANY

10 Quart Countertop Mixer

SP10



GLOBE FOOD EQUIPMENT COMPANY
2153 Dryden Rd., Dayton, OH 45439
Phone: 937-299-5493 Fax: 937-299-4147
800-347-5423

www.globeslicers.com

Approved By: _____

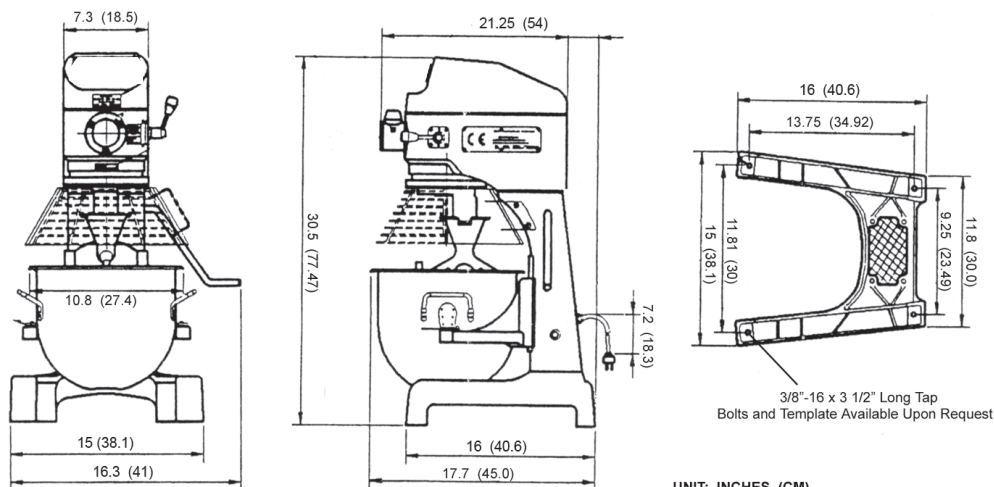
Date: _____



10 Quart Countertop Mixer

SP10

SP10



UNIT: INCHES (CM)

Drawings available through KCL. www.kclcad.com

Model	Elevation	Right	Plan	Back	BIM 3D	Revit
SP10						

SPECIFICATIONS

Model	Motor	Volts	Amps	Transmission Type	Capacity	Controls	Agitator Speeds (RPMs)			Attachment Speeds (RPMs)		
							1st	2nd	3rd	1st	2nd	3rd
SP10	1/3 HP	115/60/1	5	Gear	10 qt / 9 L	Front-mounted digital controls & timer	104	194	353	59	110	201

Cord & Plug: Attached 6 foot flexible 3-wire cord with molded plug fits a grounded receptacle. NEMA 5-15P

STANDARD ACCESSORIES:

- 10 Quart #304 series stainless steel bowl
- Aluminum spiral dough hook and flat beater
- Stainless steel wire whip and bowl guard with built-in ingredient chute

OPTIONAL ATTACHMENTS & ACCESSORIES:

- **XXBOWL-10** Stainless steel bowl
- **XXBEAT-10** Alum. flat beater
- **XXBEAT-10SS** S/S flat beater
- **XXHOOK-10** Alum. dough hook
- **XXHOOK-10SS** S/S dough hook
- **XXWHIP-10** S/S wire whip
- **XXHDWHIP-10-4** Heavy-duty 4 mm S/S wire whip

- **XTable** S/S countertop mixer table with under shelf (30" W x 24" D x 24" H)

Chopper Plate Sizes Available:

- **CP02-12** 1/16" (2 mm)
- **CP04-12** 5/32" (4 mm)
- **CP05-12** 3/16" (5 mm)
- **CP06-12** 1/4" (6 mm)
- **CP08-12** 5/16" (8 mm)
- **CP10-12** 3/8" (10 mm)
- **CP12-12** 1/2" (12 mm)
- **CP14-12** 9/16" (14 mm)
- **CP16-12** 5/8" (16 mm)
- **CP18-12** 11/16" (18 mm)
- **CP00-12** Stuffing Plate
- **XST12** 1/2" stuffing tube (sheep)
- **XST34** 3/4" stuffing tube (hog)
- **XMCA-SS** Meat Grinder Assembly (Polished stainless steel cylinder, worm gear, ring, and s/s pan. Includes knife, 3/16" plate, and pusher.)

- **XXCK** Chopper knife for the XMCA-SS
- **XASP** Adjustable slicing plate (for vegetables only)
- **XVSGH** 9" Slicer/Shredder/Grater Housing Only (no plates included-must select from plates listed below)
- **XPH** Plate holder -*only 1 required
- **Shredding Plates:**
 - **XSP332*** 3/32" (2.3 mm)
 - **XSP316*** 3/16" (4.7 mm)
 - **XSP14*** 1/4" (6.3 mm)
 - **XSP516*** 5/16" (7.9 mm)
 - **XSP12*** 1/2" (12.7 mm)
 - **XGP*** Grating plate

FACTORY INSTALLED OPTION:

- **XXCORR10** Correctional package includes tamper resistant external fasteners.

EXTENDED WARRANTY

- **SP-XD1020** Extended warranty for the SP10 mixer. Coverage extends factory warranty to 2-years. Only available at time of purchase.

DIMENSIONS & SHIPPING INFORMATION

Freight Class **85**

Cartons are reinforced for shipping. The weight and dimensions of this reinforced carton are included below and may vary from shipment to shipment. **This product ships on a pallet.**

Model	Foot Print	Overall Dimensions	Net Weight	Shipping Dimensions	Shipping Weight
SP10	16" D x 15" W (41 cm x 38 cm)	22" L x 16" W x 30.5" H (56 cm x 41 cm x 77.5 cm)	135 lbs. (60 kg)	40" L x 32" W x 42" H (102 cm x 81 cm x 107 cm)	245 lbs. (111 kg)



GLOBE FOOD EQUIPMENT COMPANY

www.globeslicers.com

2153 Dryden Rd.
Dayton, OH 45439
Phone: 937-299-5493
Phone: 800-347-5423
Fax: 937-299-4147