



Project _____

Item # _____

Quantity _____



SP62P

SP62P 60 Quart Pizza Mixer

NOW with electronic timer

Built into each mixer is the quality of design and workmanship synonymous with Globe.

Model

- SP62P - 60 Quart Pizza Mixer



GLOBE FOOD EQUIPMENT COMPANY

60 Quart Pizza Mixer

Quality Construction

- Rigid cast iron body
- High torque direct gear drive transmission
- Oil bath transmission
- Heat-treated hardened steel alloy gears and shafts
- Stainless steel bowl guard with built in ingredient chute
- Industry standard #12 attachment hub
- Non-slip rubber feet
- NSF approved enamel gray paint

Standard Features

- Powerful 3 HP custom built motor
- Two fixed speeds
- Capacity: up to 50 lbs. of flour (75 lb. batch size)
- Front mounted digital timer and controls
- Safety interlocked bowl guard and bowl lift
- Thermal overload protection
- Power bowl lift
- Automatic safety shut off provides superior motor and transmission protection

Standard Accessories

- 60 quart stainless steel bowl
- Spiral dough hook (aluminum)
- Bowl truck

Optional Attachments/Accessories

- Slicer/shredder/grater for #12 hub
- Meat grinder for #12 hub
- Correctional Package

Warranty

- Two-years parts and one-year labor

Approved By: _____

Date: _____

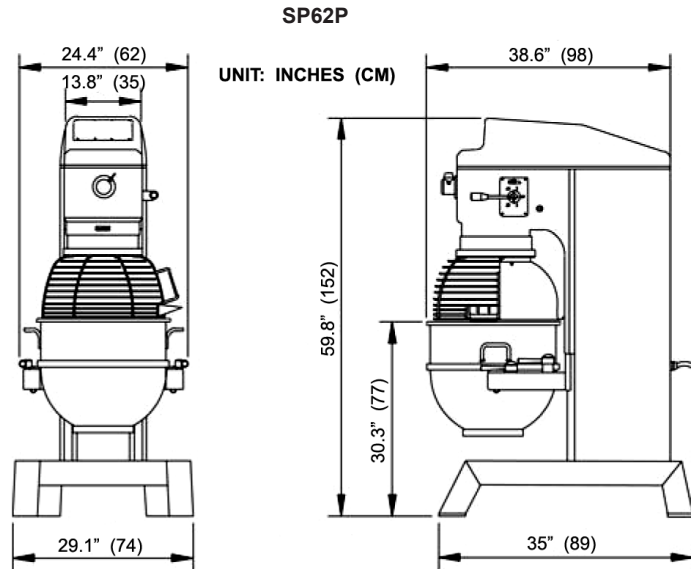


GLOBE FOOD EQUIPMENT COMPANY

www.globeslicers.com

2153 Dryden Rd.
Dayton, OH 45439
Phone: 937-299-5493
Phone: 800-347-5423
Fax: 937-299-4147

SP62P



SPECIFICATIONS											
Model	Motor	Volts	Amps	Transmission Type	Capacity	Controls	Power Bowl Lift	Agitator Speeds (RPMs)		Attachment Speeds (RPMs)	
								First	Second	First	Second
SP62P (1 Phase)	3 HP	220/60/1	16	Gear	60 qt / 56.8L	Digital, Front mounted Timer & Controls	1/8 HP Motor	72	116	234	410
SP62P (3 Phase)	3 HP	208/60/3	12	Gear	60 qt / 56.8L						

STANDARD FEATURES & ACCESSORIES:

- 60 Quart #304 series stainless steel bowl
- Aluminum spiral dough hook
- Stainless steel bowl guard with built in ingredient chute
- Digital, front mounted timer and controls
- Heavy duty bowl truck
- #12 attachment hub
- Direct drive, fixed speed transmission provides high torque mixing power
- Thermal overload protection (automatic reset)
- NSF approved enamel gray paint
- 6 foot cable, hard wired

OPTIONAL ATTACHMENTS:

- Chopper Plate Sizes Available:
 - CP02-12 1/16" (2mm)
 - CP04-12 5/32" (4mm)
 - CP05-12 3/16" (5mm)
 - CP06-12 1/4" (6mm)
 - CP08-12 5/16" (8mm)
 - CP10-12 3/8" (10mm)
 - CP12-12 1/2" (12mm)
 - CP14-12 9/16" (14mm)
 - CP16-12 5/8" (16mm)
 - CP18-12 11/16" (18mm)
 - CP00-12 Stuffing Plate
- XST12 1/2" stuffing tube (sheep)
- XST34 3/4" stuffing tube (hog)
- XMCA-SS Meat Grinder Assembly (Polished stainless steel cylinder, worm gear, ring, and pan. Includes knife, 3/16" plate, stainless steel pan, and pusher.)
- XXCORR62 Correctional package includes tamper resistant external fasteners.
- XVSGH 9" Slicer/Shredder/Grater Housing Only (no plates included-must select from plates below)
- XASP Adjustable slicing plate
- Shredding/Grating Plates:
 - XSP332* 3/32" (2.3mm)
 - XSP316* 3/16" (4.7mm)
 - XSP14* 1/4" (6.3mm)
 - XSP516* 5/16" (7.9mm)
 - XSP12* 1/2" (12.7mm)
 - XGP* Grating plate
- XPH Plate holder -*only 1 required

DIMENSIONS & SHIPPING INFORMATION

Cartons are reinforced for shipping. The weight and dimensions of this reinforced carton are included below and may vary from shipment to shipment. **This product ships on a pallet.**

Model	Foot Print	Overall Dimensions	Net Weight	Shipping Dimensions	Shipping Weight
SP62P	35" D x 29.1" W (89 cm x 74 cm)	38.6" L x 29.1" W x 59.8" H (98 cm x 74 cm x 152 cm)	980 lbs. (444 kg)	48" W x 48" D x 76" H (122 cm x 122 cm x 193 cm)	1,228 lbs. (556 kg)

Freight Class 85



GLOBE FOOD EQUIPMENT COMPANY

www.globeslicers.com

2153 Dryden Rd.
Dayton, OH 45439
Phone: 937-299-5493
Phone: 800-347-5423
Fax: 937-299-4147