



SSR-24



DSR-24



Project: _____	AIA# _____
Item #: _____ Qty: _____	SIS# _____
Model #: _____	

Speed Rails & Locking Covers

(model numbers on reverse side)

Standard Features

- All stainless steel construction
- Open step-and-rail design for easy cleaning and better view of bottles
- Radius corners on steps and rails for easy cleaning
- ABS sound deadening covers
- Long underbar skirt allows speed rails to mount low enough that bottles do not rise above deck surface and inhibit work-flow
- Single and double step models
- Locking covers are available (see reverse side for model numbers)
- Locking covers for single speed rails include built-in storage hangers when ordered with original equipment
- Available in custom lengths up to 84"
- Rails have a clear snap-on liquor identification label cover

Specifications

Materials

- 20 gauge stainless steel parts include: steps, rails, and locking covers
- 14 gauge stainless steel parts include: ends
- ABS step and rail covers



SSR-36 with SSRC-36 installed



SSR-36 with SSRC-36 in storage below

Glastender, Inc. • 5400 North Michigan Road • Saginaw, MI • 48604-9780
 989.752.4275 • 800.748.0423 • Fax 989.752.4444
www.glastender.com

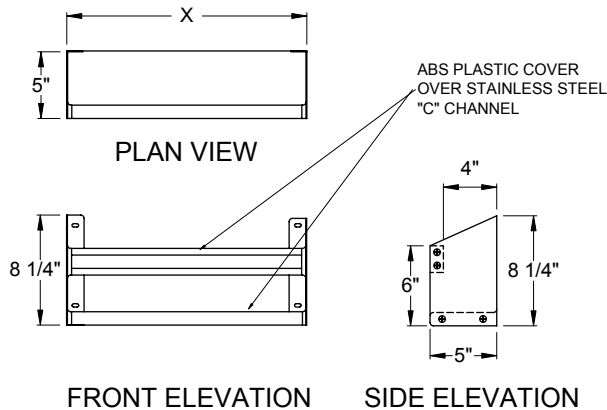
Approval/Notes:

Specifications subject to change without notice. For current specifications please visit our website.

Speed Rails and Locking Covers

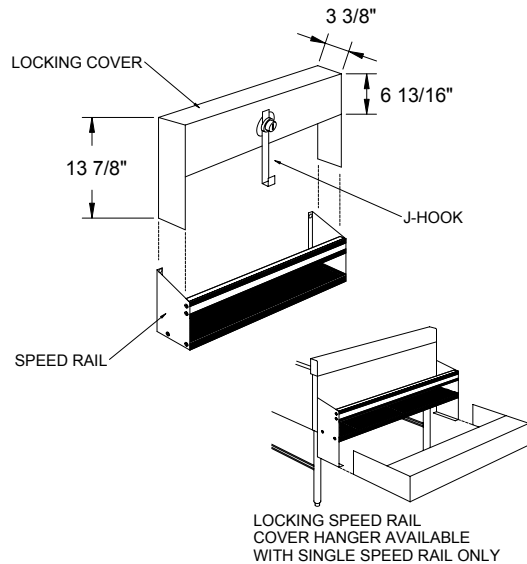
Dimensional Information

Single Speed Rails are available in one inch increments from 12" to 84" in length. The model number designation is SSR- X , where X = the length of the unit in inches. Speed rails over 42" also have a center support.



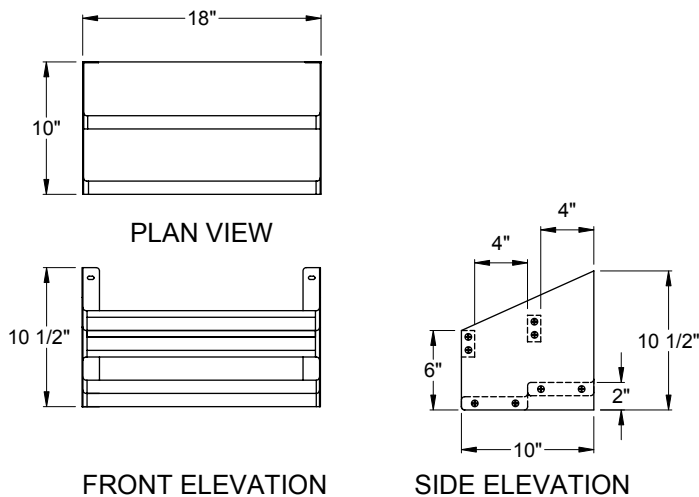
SSR- X

Single Speed Rail Locking covers are available in one inch increments from 12" to 42". The model number designation is SSRC- X , where X = the length of the unit in inches. Use multiple covers for speed rails longer than 42". (NOTE: 24" and 29" deep Liquor Displays require multiples of four and five locking covers, respectively)



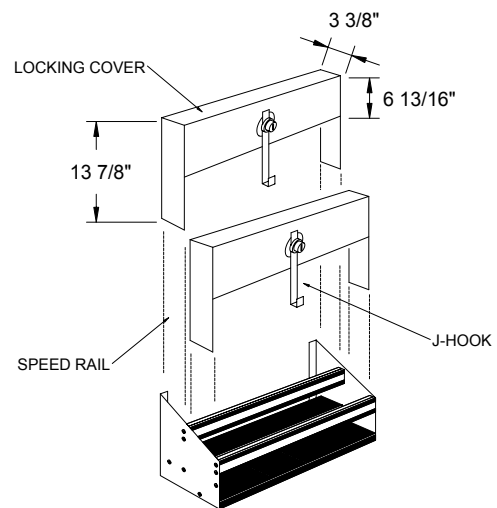
SSRC- X

Double Speed Rails are available in one inch increments from 12" to 84" in length. The model number designation is DSR- X , where X = the length of the unit in inches. Double speed rails over 42" also have a center support.



DSR- X

Double Speed Rail Locking covers are available in one inch increments from 12" to 42". The model number designation is DSRC- X , where X = the length of the unit in inches. Use multiple covers for speed rails longer than 42". (NOTE: Double speed rail locking covers are actually just two single speed rail locking covers.)



DSRC- X