



Project: _____	AIA# _____
Item #: _____ Qty: _____	SIS# _____
Model #: _____	

# Wood Barrel Towers



WB-6-B

WB-\_\_ - \_\_

**Size:**  
Specify the number of faucets from 3 to 6.

**Finish:**  
B = Flat Black  
N = Natural

## Standard Features

- Oak wood barrel construction
- Includes separate stainless steel surface mount drain pan with lift-out perforated insert
- 1/4" shanks with 3/16" restriction lines
- Available in flat black or natural unfinished
- Available with insulated cold plate assembly for recirculating system
- Available in three through six faucet sizes
- Includes stainless steel faucets and shanks
- Available with wine faucets (specify number and location when ordering)
- Includes wall mounting brackets



## Specifications

### Drains

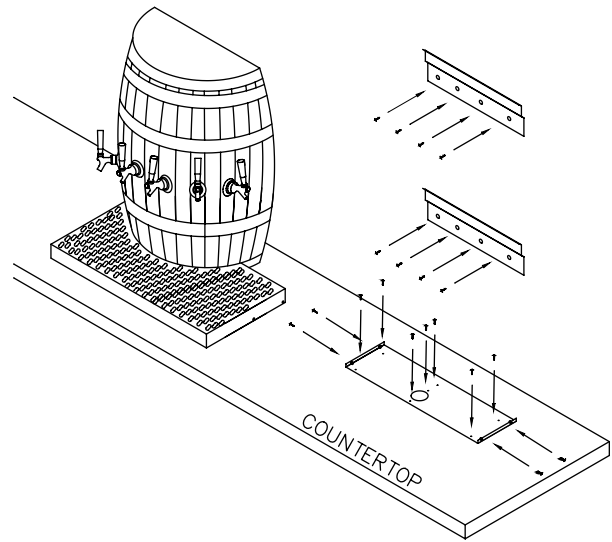
- Drain pan models - 1/2" tailpiece

### Materials

- 18 gauge stainless steel parts include: drain pan and perforated drain pan inserts
- 20 gauge stainless steel parts include: inner tower head

### Shank Sizes

- 1/4" I.D. with 3/16" fittings

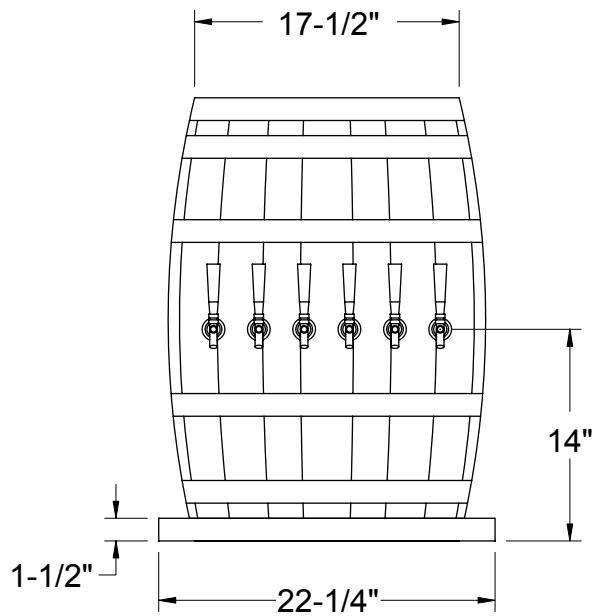


MOUNTING DETAILS

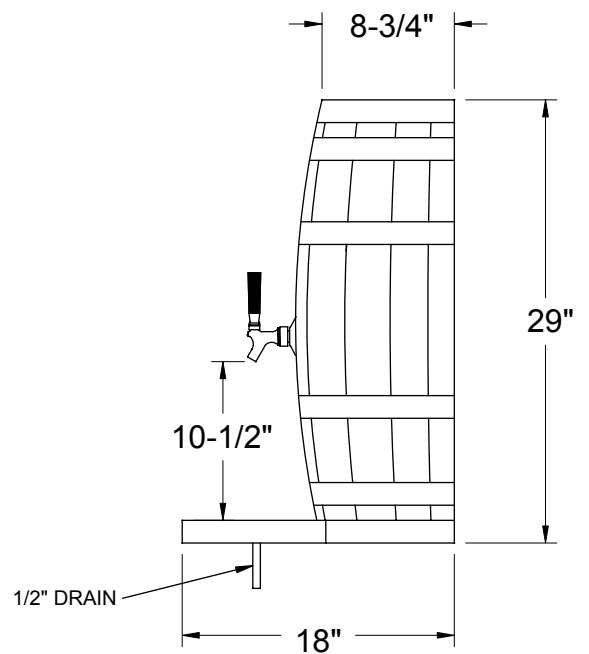
<b>Glastender, Inc.</b> • 5400 North Michigan Road • Saginaw, MI • 48604-9780 989.752.4275 • 800.748.0423 • Fax 989.752.4444 <a href="http://www.glastender.com">www.glastender.com</a>	Approval/Notes: _____
Specifications subject to change without notice. For current specifications please visit our website.	

# Wood Barrel Tower

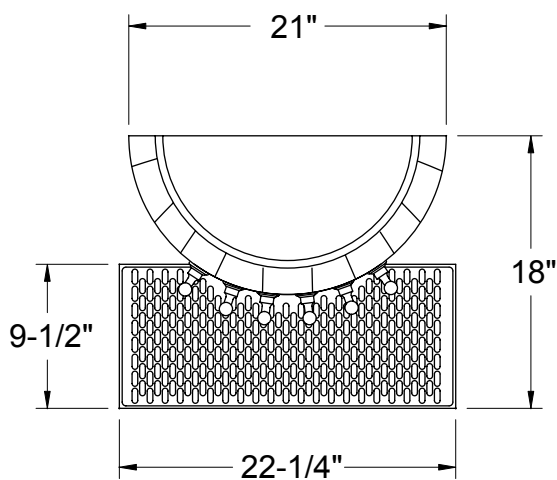
## Dimensional Information



FRONT ELEVATION



SIDE ELEVATION



PLAN VIEW