

Item No. _____

Model Number: 2014

Description

**GAY 90 WHIZ BANG P/C
MACHINE**



Now the world's favorite Antique Popper at affordable prices. Looks like the "custom" units which cost much, much more. Extra heavy duty welded aluminum cabinet with Antique Brass powder coat finish. All the features of the famous Whiz-Bang machines produce over 250 one-ounce servings per hour! Safer. Easier to operate and keep clean. An eye-catcher that builds your popcorn business fast when you "package" your installation with a #2015 cart or a #2129 wagon.

#2015 28 x 20" Two Wheel Cart

This makes a statement — perfect for the #2014 Gay 90 Whiz Bang — see page 5 for the "look" you get with a #2213 — 12 ounce machine.

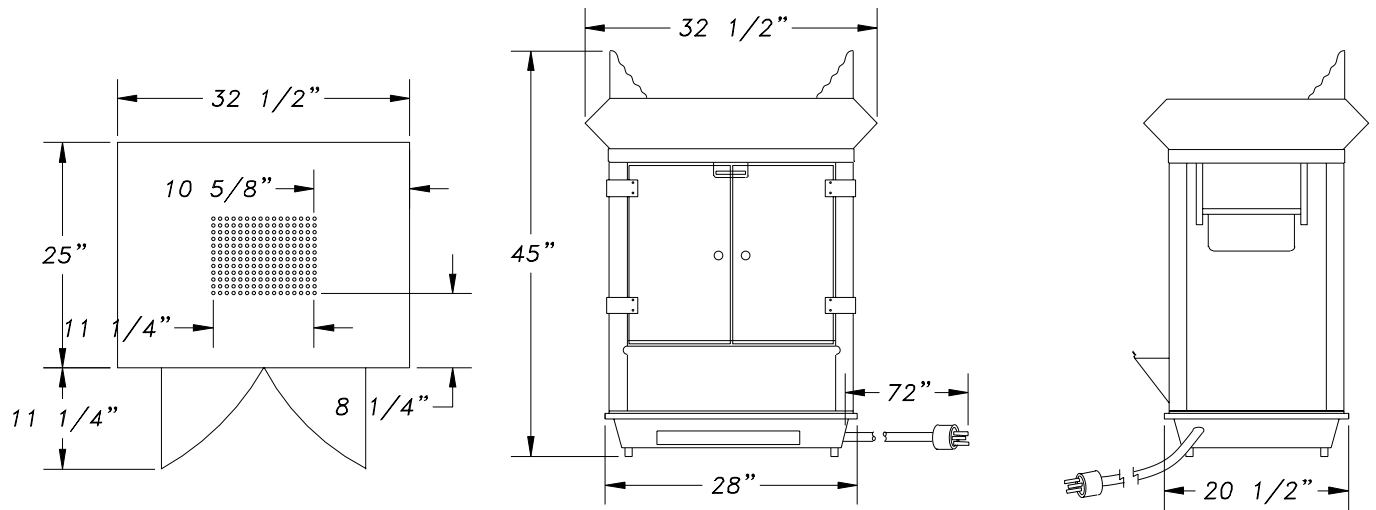


Gold Medal Products Co.

10700 Medallion Drive
Cincinnati, Ohio 45241-4807
E-Mail goldme19@eos.net
Web Site gmpopcorn.com

Phone: (513) 769-7676
(800) 543-0862
Fax: (513) 769-8500
Toll Free Fax (800) 542-1496

Model Number: 2014



Width: 33.00
Length: 25.00
Height: 43.50
Weight: 114

Pkg Width: 34.00
Pkg Length: 27.00
Pkg Height: 45.00
Pkg Weight: 114.00
CU/FT: 23.91

Voltage: 120
AMPS: 19.5
Wattage: 2400

Hertz: 60
Receptacle: 5-30R
Plug Type: 5-30P

Model Variations

Gold Medal Products Co.

10700 Medallion Drive
Cincinnati, Ohio 45241-4807
E-Mail goldme19@eos.net
Web Site gmpopcorn.com

Phone: (513) 769-7676
(800) 543-0862
Fax: (513) 769-8500
Toll Free Fax (800) 542-1496