

# **AUTOMATIC HOT WATER BOILER**

**ME10E-N ME15E-N  
CME10E-N CME15E-N**



**18 Gauge Type 304L  
Stainless Steel  
construction to resist  
corrosion.  
Solid State water level  
control for automatic  
refill**

## **CONTENTS**

**Specifications  
Start up Instructions  
Trouble Shooting Guide  
Parts List  
Wiring Diagram**

**Cecilware sells value... Worldwide  
Cecilware Corporation**

43-05 20th Avenue, Long Island City, NY 11105

Tel: 718-932-1414

Fax: 718-932-7860

800-935-2211

E-Mail: [customer.service@cecilware.com](mailto:customer.service@cecilware.com)

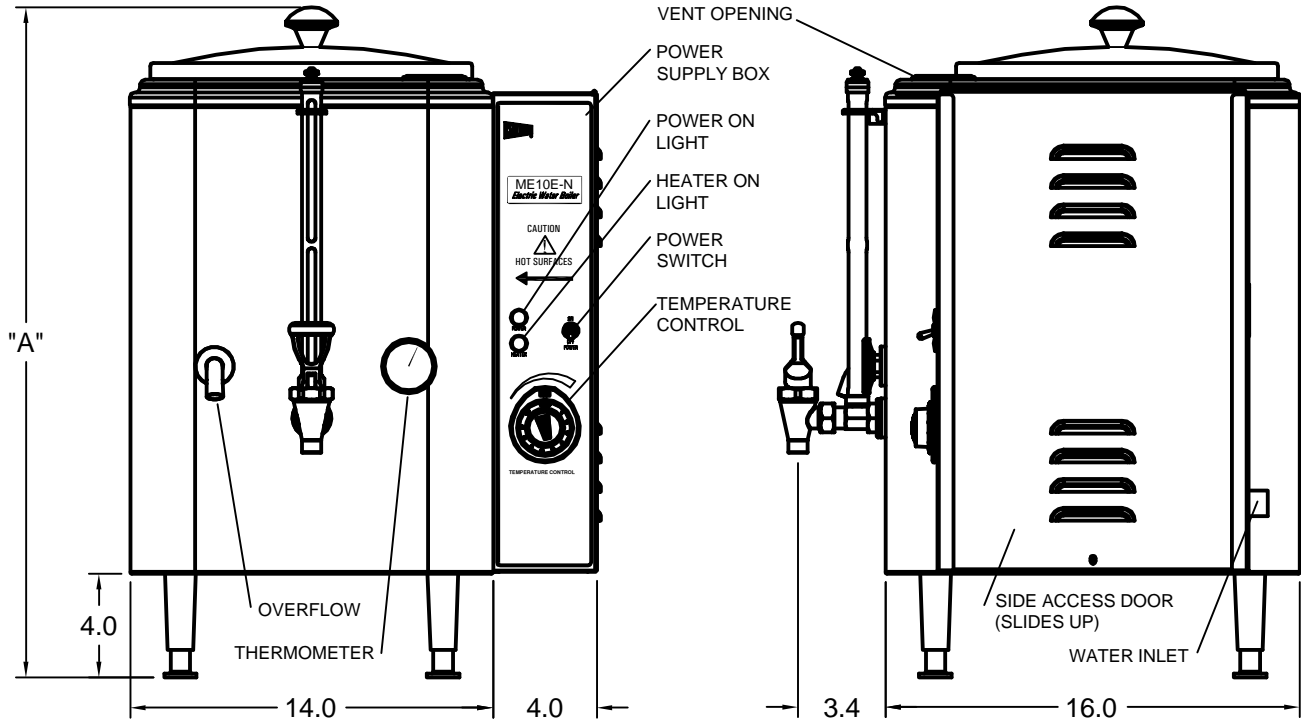


Website: [www.cecilware.com](http://www.cecilware.com)

Operation Manual  
NP57A 07/13/07

## GENERAL SPECIFICATIONS

MODEL NO	WATER CAP. (GAL)	DIMENSION "A" (INCHES)	SHIPPING WT. (LB)
ME10E-N CME10E-N	10.0	26.0	45
ME15E-N CME15E-N	15.0	30.5	50



## ELECTRICAL SPECIFICATIONS

MODEL NO	VOLTS	WATTS	AMPS	PHASE	FIELD WIRING SIZE
ME10E-N CME10E-N ME15E-N CME15E-N	120	1,800	15	1	14 AWG
	240	7,000	29.2	1	10 AWG
	208	5,300	25.5	1	10 AWG
	240	10,500	25	3	10 AWG
	208	7,900	22	3	10 AWG

**NOTE:**

1. FIELD WIRING MUST BE SUITABLE FOR 75 DEGREES CELSIUS.
2. USE COPPER WIRE ONLY FOR POWER SUPPLY CONNECTION.
3. 120 VOLT UNITS SUPPLIED WITH A GROUNDED 120V-15A LINE CORD AND PLUG.