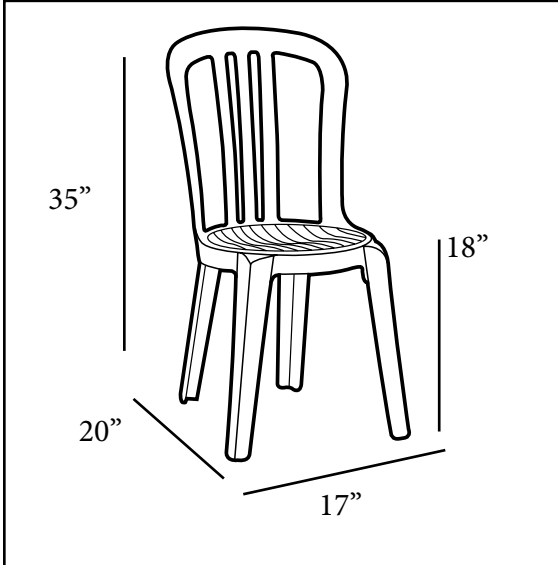




COMMERCIAL RESIN FURNITURE

Your best value for Food Service & Hospitality!



Miami Bistro Stacking Sidechair

Passes ASTM F 1561-96 Class B performance standard for commercial outdoor seating

Features & Benefits **Warranty: 3 Yrs.**

- There is more to this stacker than meets the eye. This chair adjusts to your body weight to provide optimum comfort.
- Rated to 300 pounds for safe use in commercial environments.
- Chair made of 100% prime synthetic resin. U.V. stabilized for greater resistance to sun degradation and changing weather conditions.
- High, contoured and flexible back joints with a shaped seat for extra comfort.
- Glossy and matte alternating stripes further enhance the design of the seat.
- One-piece molded construction. Stacks easily, nests closely.
- Extremely durable. Easy to maintain; just a wet sponge and a drop of a mild liquid detergent will restore this chair to a fresh new look.
- Versatile; this staple of the industry was made and designed by Grosfillex for terraces, cafes, concessions, balconies, parks and special events in the great outdoors.

Product Specifications

| Product Description | Reference Number | Color | UPC Code | Weight Each (lbs.) | Master Pack | Master Pack Volume (cu. ft.) |
|---------------------------------|------------------|--------------|----------|--------------------|-------------|------------------------------|
| Miami Bistro Stacking Sidechair | US495504 | White | 100425 | 7.09 | 32 | 43.18 |
| | US495004 | White | 100425 | 7.75 | 4 | 10.59 |
| | US495517 | Black | 100197 | 7.09 | 32 | 43.18 |
| | US495017 | Black | 100197 | 7.75 | 4 | 10.59 |
| | US495578 | Amazon Green | 100463 | 7.09 | 32 | 43.18 |
| | US495078 | Amazon Green | 100463 | 7.75 | 4 | 10.59 |
| | US495502 | Charcoal | 136400 | 7.09 | 32 | 43.18 |
| | US495002 | Charcoal | 136400 | 7.75 | 4 | 10.59 |