



SINGLE BUILT-IN AND DROP-IN ROUND HEATED WELLS

Models HWB-4QT, -4QTD HWB-7QT, -7QTD HWBH-7QT, -7QTD HWB-11QT, -11QTD HWBH-11QT, -11QTD

Hatco Built-In Round Heated Wells provide flexibility and quality, with many options to choose from. These units hold steam table food hot and fresh with self-adjusting thermostats that read the actual temperatures and add heat only when needed.

FLEXIBILITY

UL approved Built-In Round Heated Wells are available in three sizes: round 4-Quart (4 liter) round 7-Quart (7 liter), and round 11-Quart (10 liter). Choose from a model with or without a drain, in standard, or high watt. The standard compact controls, or optional larger recessed controls can be conveniently placed where needed.

QUALITY

The following features assure the finest performance for years to come:

- 4-, 7-, and 11-quart round wells.
- Standard or high watt (4-quart standard watt only)
- Controls feature a separate lighted ON/OFF rocker switch and temperature dial, allowing preset temperatures to be maintained.
- 50% larger drain with flat screen simplifies cleaning and holds pans level.
- Easy service access to heating elements and thermostats.
- Mounting kits for combustible countertops available.
- EZ locking hardware for quick installation.
- An optional WM Control Assembly is also available that will replace most existing controls on a customer's Drop-In Heated Well Unit.



HWB-7 and 11QTD with accessory food pans

Ordering Instructions

Please specify the following with each order:

- Desired Voltage:** 120, 208, or 240V (export voltage available)
- Base Size of Heated Well:**
 - Round: 4-Quart (4-Liter), 7-Quart (7-Liter) or 11-Quart (10-Liter)
- Choose With or Without Drain**
- Mounting Style:**
 - Top Mounted
- Wattage:**
 - High Watt
 - Standard Watt, (4-Quart (4-Liter) available in standard watt only)
- Agency:**
 - UL and CUL
 - UL-EPH (sanitary listing)
 - CE Mark available on standard and high watt units

Model HWB-7QT with accessory food pan and notched lid



Model HWB-4QT with accessory food pan and notched lid

Model HWB-11QT with accessory food pan and notched lid



Accessory hinged and notched lid for 4, 7, or 11 Quart round pans.

Built-in and Drop-in Heated Wells Countertop Cutout Dimensions

Model	Minimum Width	Maximum Width	Minimum Depth	Maximum Depth	Below Counter
HWB-4QT	Ø 7.125" (181 mm)	Ø 7.56" (192 mm)	—	—	9.51" (241 mm)
HWB-4QT•	9" (229 mm)	9.25" (235 mm)	9" (229 mm)	9.25" (235 mm)	9.51" (241 mm)
HWB-7QT	Ø 9.125" (232 mm)	Ø 9.56" (243 mm)	—	—	8.7" (221 mm)
HWB-7QT•	11" (279 mm)	11.25" (286 mm)	11" (279 mm)	11.25" (286 mm)	8.7" (221 mm)
HWB-11QT	Ø 11.125" (282 mm)	Ø 11.56" (294 mm)	—	—	8.7" (221 mm)
HWB-11QT•	13" (330 mm)	13.25" (337 mm)	13" (330 mm)	13.25" (337 mm)	8.7" (221 mm)

• Indicates cutout dimensions for a combustible countertop surface.

Standard thermostatic control with bezel



Optional larger recessed thermostatic control – No Charge



Optional WM Control Assembly (exact replacement for most existing drop-in heated well units)



Control Cutout Dimensions

- Standard Compact Control Panel Cutout: 3.25"W (83 mm) x 3.75"H (95 mm)
- Optional Recessed Control Panel Cutout: 5.88"W (149 mm) x 6.38"H (162 mm)
- Optional WM Control Assembly Panel Cutout: 4.78"W (121 mm) x 5"H (127 mm)



ONE YEAR ON-SITE PARTS AND LABOR WARRANTY PLUS ONE ADDITIONAL YEAR PARTS ONLY WARRANTY ON THE METAL HEATING ELEMENT.

HATCO CORPORATION P.O. Box 340500 Milwaukee, WI 53234-0500 U.S.A.
 (800) 558-0607 • (414) 671-6350 • Fax (800) 543-7521 • Int'l. Fax (414) 671-3976
 www.hatcocorp.com • E-mail: equipsales@hatcocorp.com

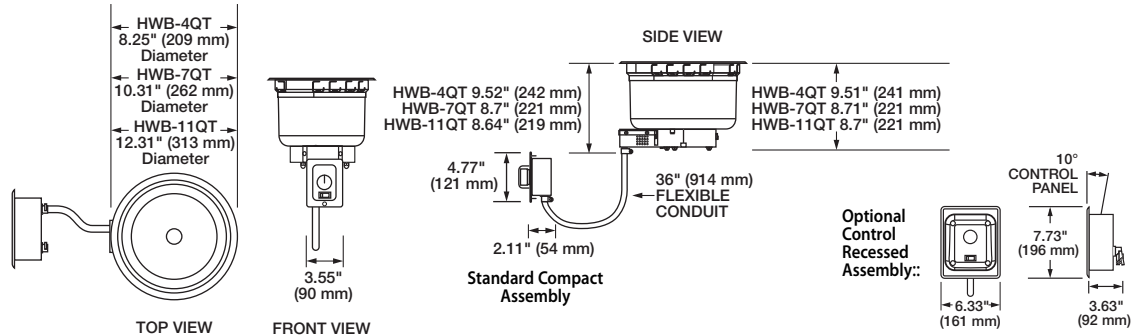
Form No. HWB-RND Spec Sheet

Printed in U.S.A.
April 2012



SINGLE BUILT-IN AND DROP-IN ROUND HEATED WELLS

Models HWB-4QT, -4QTD HWB-7QT, -7QTD HWBH-7QT, -7QTD HWB-11QT, -11QTD HWBH-11QT, -11QTD



Models HWB-4QT Series, HWB-7QT Series and HWB-11QT Series

SPECIFICATIONS

4 Quart (4 Liter) Round Models – Standard Watt

Model*	Volts	Watts	Amps	Shipping Weight
HWB-4QT	120	500	4.2	9 lbs. (4 kg)
HWB-4QTD	208	536	2.6	12 lbs. (5 kg)
	240	600	2.5	

7 Quart (7 Liter) Round Models – Standard Watt

Model*	Volts	Watts	Amps	Shipping Weight
HWB-7QT	120	500	4.2	10 lbs. (5 kg)
HWB-7QTD	208	536	2.6	13 lbs. (6 kg)
	240	600	2.5	

7 Quart (7 Liter) Round Models – High Watt

Model*	Volts	Watts	Amps	Shipping Weight
HWBH-7QT	120	800	6.7	10 lbs. (5 kg)
HWBH-7QTD	208	715	3.4	13 lbs. (6 kg)
	240	800	3.3	

11 Quart (10 Liter) Round Models – Standard Watt

Model*	Volts	Watts	Amps	Shipping Weight
HWB-11QT	120	500	4.2	11 lbs. (5 kg)
HWB-11QTD	208	536	2.6	14 lbs. (6 kg)
	240	600	2.5	

11 Quart (10 Liter) Round Models – High Watt

Model*	Volts	Watts	Amps	Shipping Weight
HWBH-11QT	120	800	6.7	11 lbs. (5 kg)
HWBH-11QTD	208	715	3.4	14 lbs. (6 kg)
	240	800	3.3	

* "D" added to model number indicates unit with 3/4" NPT drain.

DIMENSIONS

HWB-4QT Series: 8.25" Diameter x 9.51"H (209 x 241 mm).

HWB-7QT Series: 10.31" Diameter x 8.7"H (262 x 221 mm).

HWB-11QT Series: 12.31" Diameter x 8.7"H (313 x 221 mm).

Control Panel:

Standard Compact: 3.55"W x 2.11"D x 4.77"H (90 x 54 x 121 mm)

Optional Recessed: 6.33"W x 3.63"D x 7.73" (161 x 92 x 196 mm).

Optional WM Control: 5.88"W x 3.95"D x 6.25"H (149 x 100 x 159 mm). Not available in Export voltages.

VOLTAGE

120, 208, and 240 volts, single phase. Export voltages available.

OPTIONS (NOT FOR RETROFIT)

- Additional Lead Wire available in one foot increments (Lead wire only – conduit not included) (Models are shipped with 1' (305 mm) of lead wire – no conduit)
- Thermostat with 6' (1829 mm) Capillary
- Larger Recessed Thermostat Control
- WM Control Assembly

ACCESSORIES

- Mounting Kit for Combustible Countertops (All Models)
- Round Pans
- Notched Lids or Hinged and Notched Lids
- 3/4 NPT Ball or Gate Valve for Unit with Drains
- Kit allows Mounting to Thick Countertops-4 Brackets

PRODUCT SPECS

Built-in Round Heated Well

The Built-in Round Heated Well shall be a Model ...as manufactured by the Hatco Corporation, Milwaukee, WI 53234 U.S.A.

With 24/7 parts and service assistance (U.S. and Canada only), the Built-in Heated Well shall be rated at ...watts, ...volts, and be ...inches

(millimeters) in overall width and be ...inches (millimeters) in overall depth. It shall consist of stainless and aluminized steel housing with a metal sheathed heating element, EZ locking hardware for installation, and a remote thermostat with lighted power switch.

Accessories may include stainless steel mounting kit and valves.

HATCO CORPORATION P.O. Box 340500 Milwaukee, WI 53234-0500 U.S.A. • (800) 558-0607 • (414) 671-6350
Fax (800) 543-7521 • Int'l. Fax (414) 671-3976 • www.hatcocorp.com • E-mail: equisales@hatcocorp.com