



**easy
clean
System**

Project _____

Item # _____

Quantity _____

Multi Contact Grill

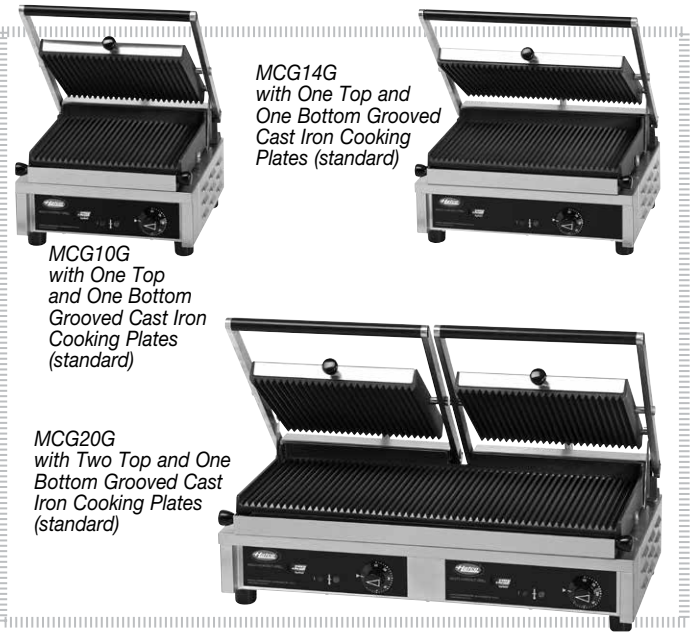
Models: MCG10G, MCG14G, MCG20G

Hatco Corporation introduces a new addition to our light cooking line of equipment that gives you the flexibility to grill paninis, sandwiches with breads of different sizes and thickness, snacks, vegetables, meats, quesadillas, fish, and hamburgers, to name a few, all on the same piece of equipment!

The Multi Contact Grill comes standard with enamel coated cast iron Grooved Top and Bottom Plates. The Easy Clean System® provides for quick removal of these plates for cleaning. The Grooved Plates are also interchangeable with the Smooth Plates and are dishwasher safe.

Standard features

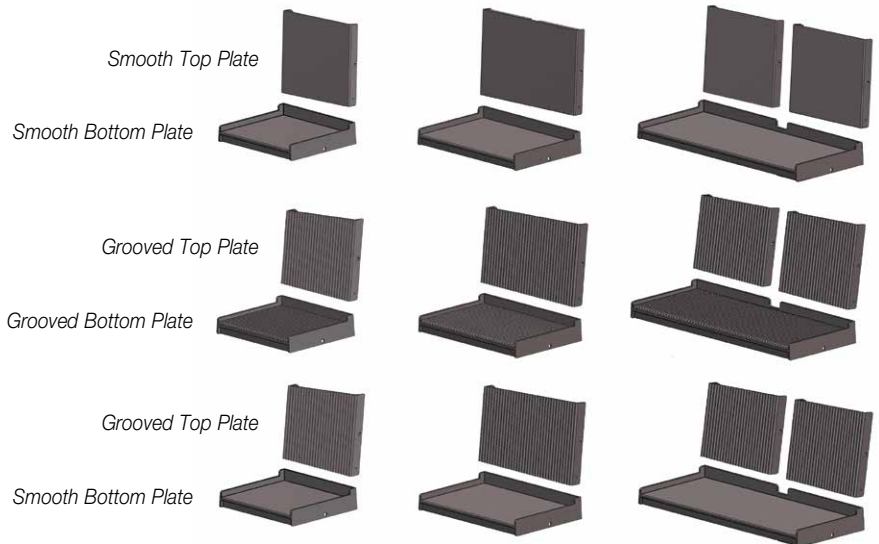
- Patented Heating Element Pack for even heat distribution.
- Easy Clean System for quick, efficient cleaning.
- Thermostatic control from 120°F to 570°F (50°C to 300°C) for precision cooking.
- Grooved Top and Bottom Plate comes standard.
- Accessory Smooth Top and Bottom Plates available.
- 6' (1829 mm) cord with plug attached.
- Cord location is under base at center of unit.
- Stainless Steel frame.
- Removable drip tray with handles.



Accessories (available after purchase)

- Smooth Top Enamel Coated Cast Iron Cooking Plate
 - ST-S for MCG10G
 - ST-M for MCG14G
 - ST-LL for MCG20G Left Side
 - ST-LR for MCG20G Right Side
- Smooth Bottom Enamel Coated Cast Iron Cooking Plate
 - SB-S for MCG10G
 - SB-M for MCG14G
 - SB-L for MCG20G

Patented Heating Element Pack provides exceptional heat distribution over the entire surface of the plates for even, uniform cooking.



ONE YEAR REPLACEMENT WARRANTY, CONTACT HATCO SERVICE TEAM FOR DETAILS.



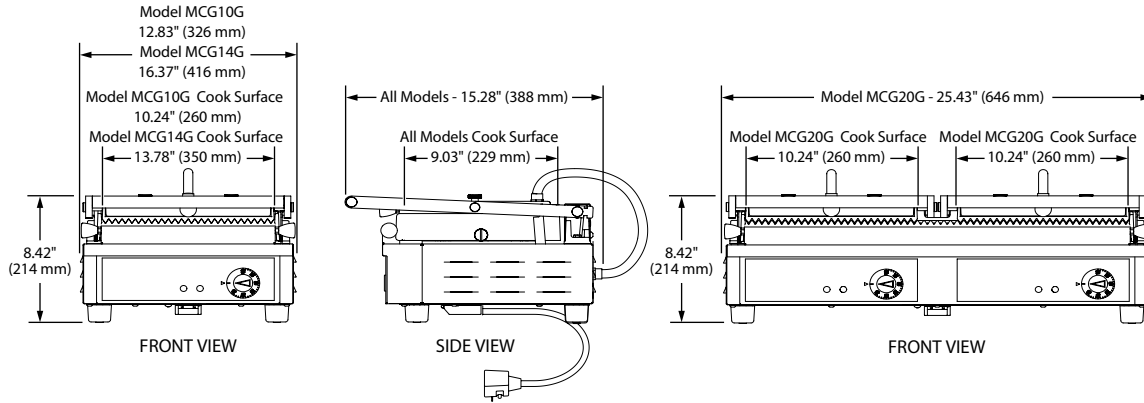
HATCO CORPORATION | P.O. Box 340500 Milwaukee, WI 53234-0500 U.S.A. | (800) 558-0607 | (414) 671-6350
Fax: (800) 543-7521 | Int'l. Fax: (414) 671-3976 | www.hatcocorp.com | email: equipsales@hatcocorp.com



Multi Contact Grill

Models: MCG10G, MCG14G, MCG20G

MCG Models



SPECIFICATIONS Multi Contact Grill

Model	Dimensions (W x D x H)	Volts	Phase	Watts	Amps	Plug	Ship Weight*
MCG10G	12.83" x 15.28" x 8.42" (326 x 388 x 214 mm)	120	Single	1800	15.0	NEMA 5-15P [*]	47 lbs. (21 kg)
		120	Single	1800	15.0	NEMA 5-15P [*]	62 lbs. (28 kg)
MCG14G	16.37" x 15.28" x 8.42" (416 x 388 x 214 mm)	208 [▼]	Single	1950	9.4	NEMA 6-15P	62 lbs. (28 kg)
		240 [▼]	Single	2600	10.8	NEMA 6-15P	62 lbs. (28 kg)
		208 [▼]	Single	2820	13.6	NEMA 6-20P	93 lbs. (42 kg)
MCG20G	25.43" x 15.28" x 8.42" (646 x 388 x 214 mm)	240 [▼]	Single	3760	15.7	NEMA 6-20P	93 lbs. (42 kg)

* Shipping weight includes packaging. * Canada models use NEMA 5-20P.
 ▼ Unit is designed to operate on supply voltages between 208V and 240V.

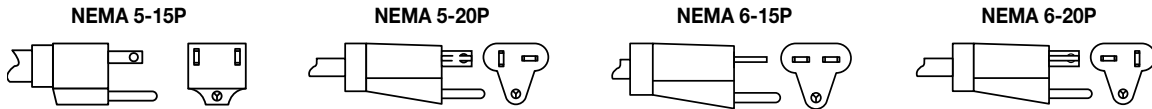
Maximum Product Thickness

MCG10G: 2.38" (60 mm)
 MCG14G: 2.75" (70 mm)
 MCG20G: 2.38" (60 mm)

CORD LOCATION

Under base at center of unit.

PLUG CONFIGURATIONS



PRODUCT SPECS Multi Contact Grill

The Multi Contact Grill shall be a Model ... as distributed by the Hatco Corporation, Milwaukee, WI 53234 U.S.A.

The Multi Contact Grill shall be rated at ... watts, ... volts, and ... inches (millimeters) in overall width. It shall have a grooved top and bottom enamel coated cast iron cooking plate, thermostatically-controlled with a temperature indicator light and power light, patented Heating Element Pack for even heat distribution, removable drip tray with handles, Easy Clean System® and a 6' (1829 mm) cord with plug attached.

Accessories shall include smooth top and bottom enamel coated cast iron cooking plate for each unit size.

One year on-site parts and labor warranty with 24/7 technical assistance in the US and Canada only.

HATCO CORPORATION | P.O. Box 340500 Milwaukee, WI 53234-0500 U.S.A. | (800) 558-0607 | (414) 671-6350
 Fax: (800) 543-7521 | Int'l. Fax: (414) 671-3976 | www.hatcocorp.com | email: equipsales@hatcocorp.com