

# DB-130/200H

## SANITARY CUBE DISPENSER

Item # \_\_\_\_\_

Project: \_\_\_\_\_

Qty: \_\_\_\_\_

\*AutoCad available on KCL

DB-130/200H

9/12

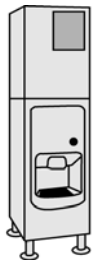
Item # 13131

### DIMENSIONS

W x D x H

**DB-130H**  
22 x 30 x 53\*  
\*with 6" legs

**DB-200H**  
30 x 30 x 53\*  
\*with 6" legs



DB-130



DB-200

### DB-130H

Hotel/Motel Ice Dispenser  
Shown  
with a KM-320MAH

### DB-200H

Hotel/Motel Ice Dispenser  
Shown  
with a KML-631MAH



### DB-130H

- Accommodates KM-320, KM-515, KM-600 or KM-650 Series Cubers for 281 to 680 lbs. of ice per day
- Ice dispensing area is ADA compliant
- Built-in 130 lbs. insulated polyethylene-lined ice storage bin
- Pushbutton single auger agitator dispenses ice at 20 lbs. per minute
- Card or coin mechanism optional

### DB-200H

- Accommodates KML Series, KM-320, KM-515, KM-600 or KM-650 Series Cubers for 307 to 680 lbs. of ice per day
- Ice dispensing area is ADA compliant
- Built-in 200 lbs. insulated polyethylene-lined ice storage bin
- Pushbutton single auger agitator dispenses ice at 13 lbs. per minute
- Card or coin mechanism optional



### Warranty

Valid in United States, Canada, Puerto Rico, & U.S. Territories. Contact factory for warranty in other countries.

**Three Year - Parts & Labor.**



# Hoshizaki

## DB-130/200H SANITARY CUBE DISPENSER

### DIMENSIONS

W x D x H

**DB-130H**  
22 x 30 x 53\*

**DB-200H**  
30 x 30 x 53\*  
\*with 6" legs

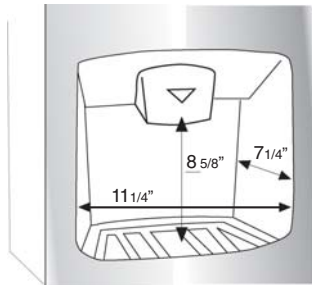
• Hotel/Motel ice dispensers

### SPECIFICATIONS

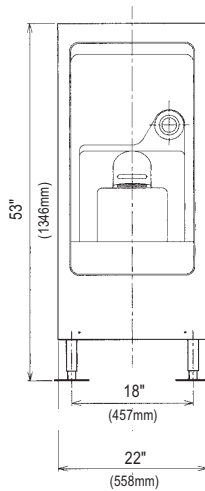
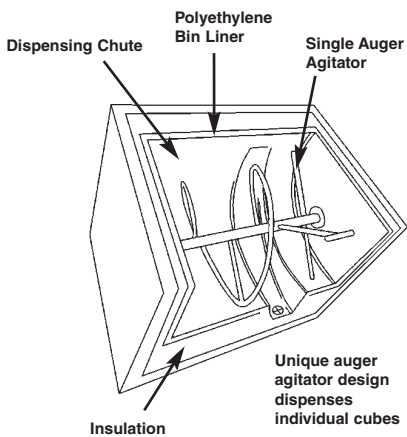
Model Number	Dispensing gear motor	Amperage	Shipping Weight
DB-130H	60 W	1.4	215 lbs.
DB-200H	60 W	1.4	240 lbs.

### STORAGE BINS

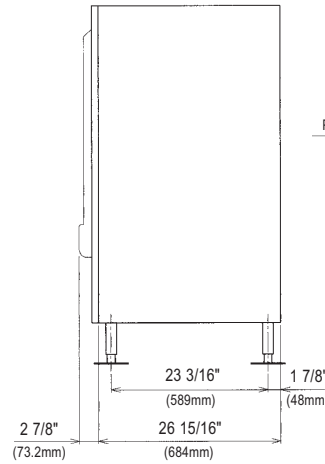
Model Number	Application Capacity	ARI-Rated Capacity
DB-130H	130 lbs.	90 lbs.
DB-200H	200 lbs.	140 lbs.



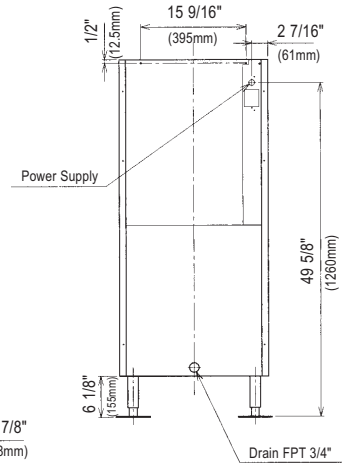
### DB-130 & DB-200 Ice Dispenser Opening



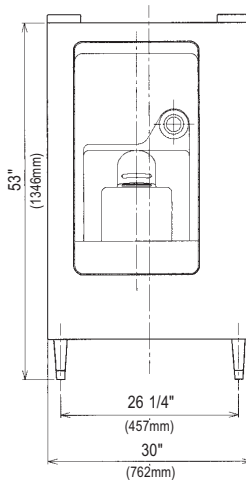
DB-130H  
FRONT VIEW



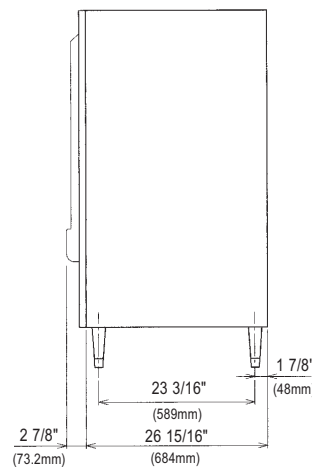
DB-130H  
SIDE VIEW



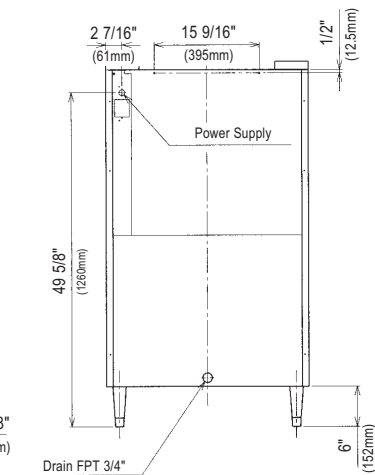
DB-130H  
BACK VIEW



DB-200H  
FRONT VIEW



DB-200H  
SIDE VIEW



DB-200H  
BACK VIEW

### ELECTRICAL & PLUMBING/DB-130 / 200H

- 115V/60/1
- 3/4" FPT Drain



ISO9001-ISO14001

© HOSHIZAKI AMERICA, INC.

618 Hwy. 74 S., Peachtree City, GA 30269

### OPERATING LIMITS

- Ambient Temp Range 45 - 100°F
- Voltage Range 104 - 127V

### VENDING

- Pushbutton - Standard
- Card or Coin Mechanism - Optional

TEL 1-800-438-6087

FAX 1-800-345-1325

www.hoshizaki.com

Printed in U.S.A.

