

## SERIES I 6" ROTOR

### Commercial Food Waste Disposer

- Series "I" with 6" rotor has no floor support. Support leg is optional.
- It is designed primarily for the small restaurant kitchen or larger kitchen's salad preparation area
- Rugged construction
- Ideal for small church, snack bar, or elementary school where food waste volume is light.

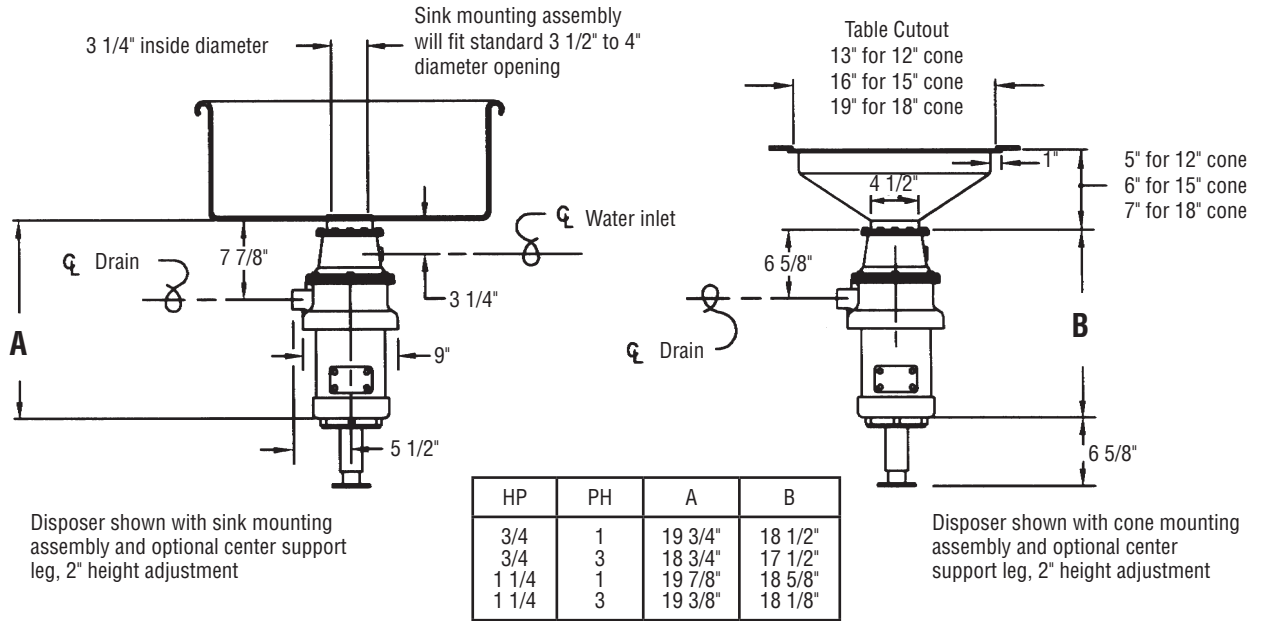
#### STANDARD FEATURES

- 1 1/4 HP motor

#### OPTIONS

- Stainless steel cone or sink attachment (includes vinyl silver trap ring, solenoid valve, flow control valve, vacuum breaker)
- 3/4 HP motor- light duty
- Cones 12", 15", 18"
- Support Leg

**AUTOQUOTES**



### DESIGN AND CONSTRUCTION

- Waste chamber design permits dual directional operation when used with reversing control or switch, doubling the life cycle of the shattering mechanism.
- Basic body components are cast gray iron, machined, primed and painted. 6" diameter rotor with (2) cast-on impact bars and sizing ring are cast ductile iron, machined, balanced and heat treated.
- Flexible drain connector. Fastens quickly to either metal or PVC drain line (1 1/2" pipe size).
- Disposer suspends from cone or sink assembly.
- Center support leg (2" height adjustment). (Optional)

### MOTOR

- Reversing, continuous duty, 1725 RPM (1425 RPM, 50 Hz), full rated horsepower, double sealed, permanently lubricated ball bearings.
- Thermal overload protection with manual reset button.
- Available for single phase or three phase installations.
- Available in 3/4 and 1 horsepower, single and three phase.
- Dual voltage windings allow multi-voltage operation by motor lead connection. (See motor wiring diagram)
  - 115-230 Volts, 60 Hz; 1 Phase
  - 208-230/460 Volts, 60 Hz; 3 Phase

(See table for ampere draw per horsepower, volts & phase)

### CONTROLS

Electrical switches or control centers not included, must be selected as required.

Note: All plumbing and electrical connections should be made according to local codes.

| HP    | SINGLE PHASE |       | THREE PHASE |       |
|-------|--------------|-------|-------------|-------|
|       | Volts        | Amps* | Volts       | Amps* |
| 3/4   | 115          | 5.4   | 208         | 2.8   |
|       | 230          | 10.8  | 230         | 2.8   |
|       |              |       | 460         | 1.4   |
| 1 1/4 | 115          | 14.8  | 208         | 3.8   |
|       | 230          | 7.4   | 230         | 3.8   |
|       |              |       | 460         | 1.9   |

\*Ratings are for 60 Hz operation.

Note: Due to product improvement we reserve the right to change information and specifications without notice.