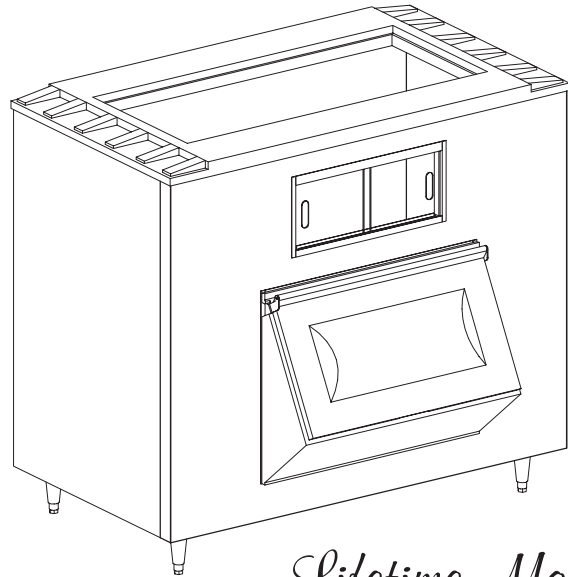
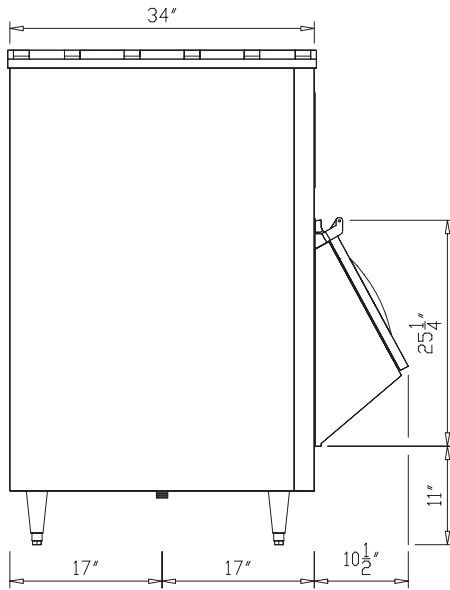


Kloppenberg Single Door Upright



Lifetime Models

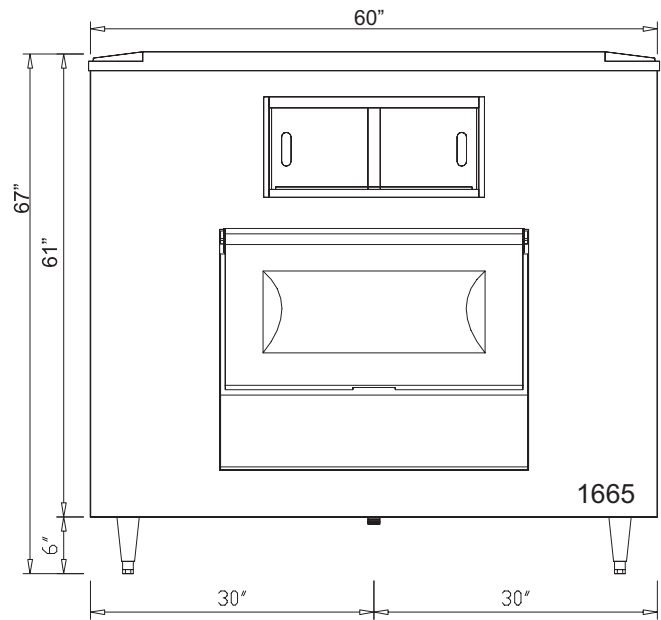
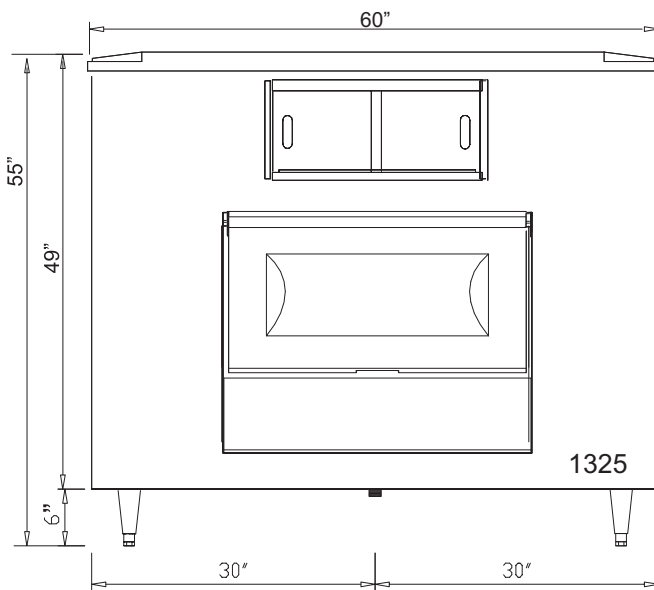
APPLICATION CAPACITY

based on total volume per cubic foot x .9 x 34lb (ice density)
 $(\text{WIDTH}-3) * (\text{DEPTH}-3) * (\text{HEIGHT}-8) / 1728 * .9 * 34$

MODEL	W	D	H	CAP
1325	60	34	55	1471
1665	60	34	67	1846



Model 1325 and 1665



Measurements are in inches and lbs and include 6" legs

www.kloppenberg.com

JOB:
ITEM:



800-346-3246 303-761-1615 fx 303-789-1741

Kloppenberg & Co
 2627 W Oxford Ave
 Englewood, CO 80110