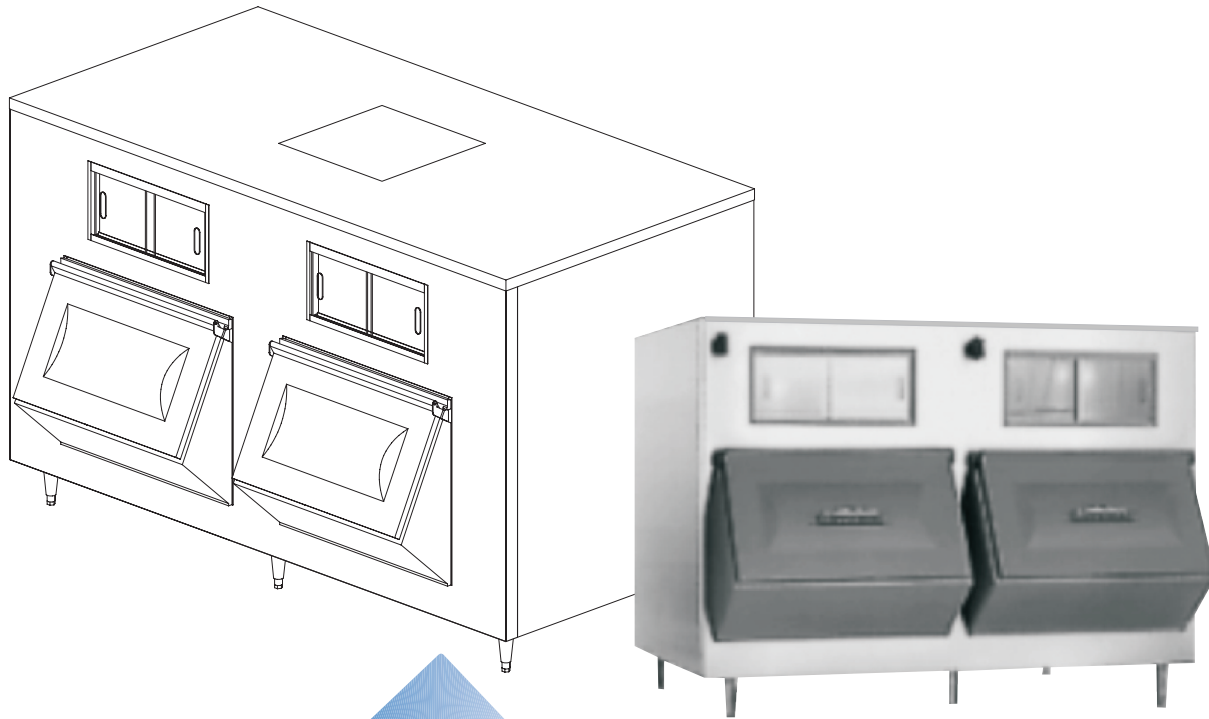


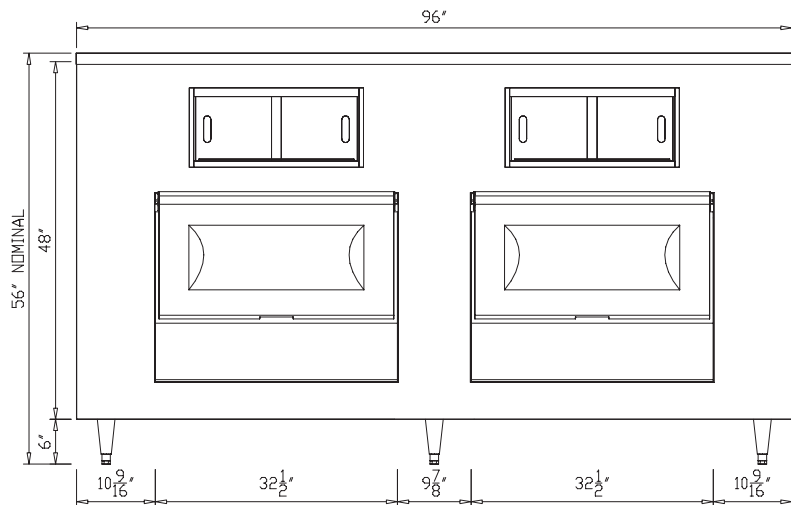
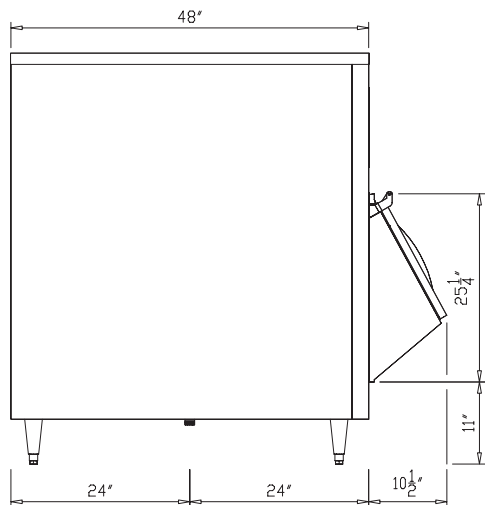
Kloppenberg Double Door Upright



APPLICATION CAPACITY

based on total volume per cubic foot x .9 x 34lb (ice den
 $(\text{WIDTH}-3) * (\text{DEPTH}-3) * (\text{HEIGHT}-8) / 1728 * .9 * 34$

1455	72	34	56	1818
2115	72	48	56	2639
2845	96	48	56	3557



www.kloppenberg.com

JOB:
ITEM:



800-346-3246 303-761-1615 fx 303-789-1741

Kloppenberg & Co
 2627 W Oxford Ave
 Englewood, CO 80110