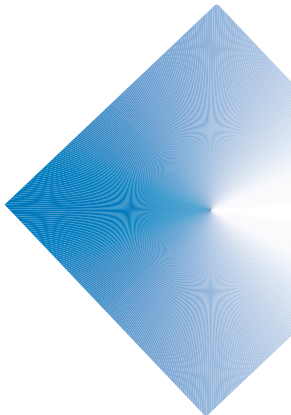
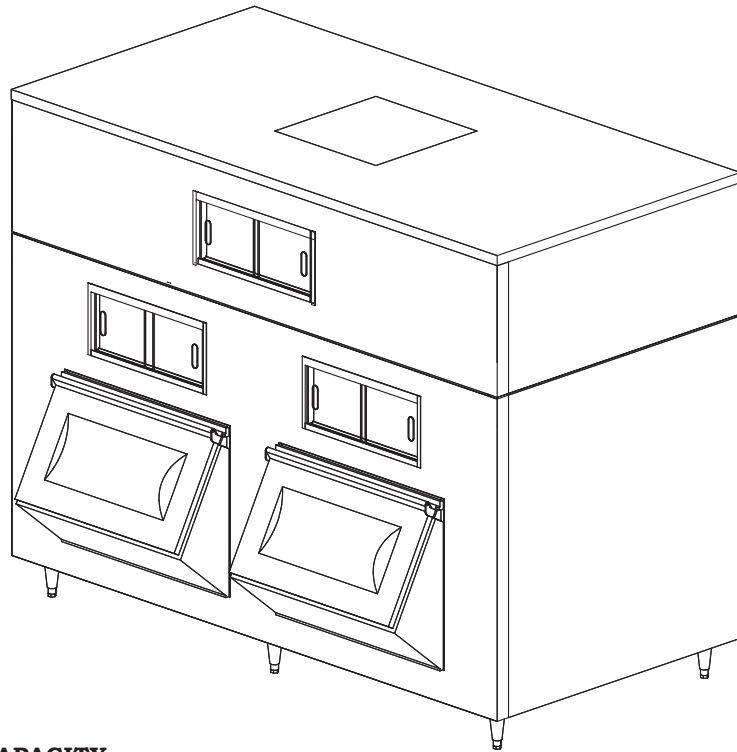


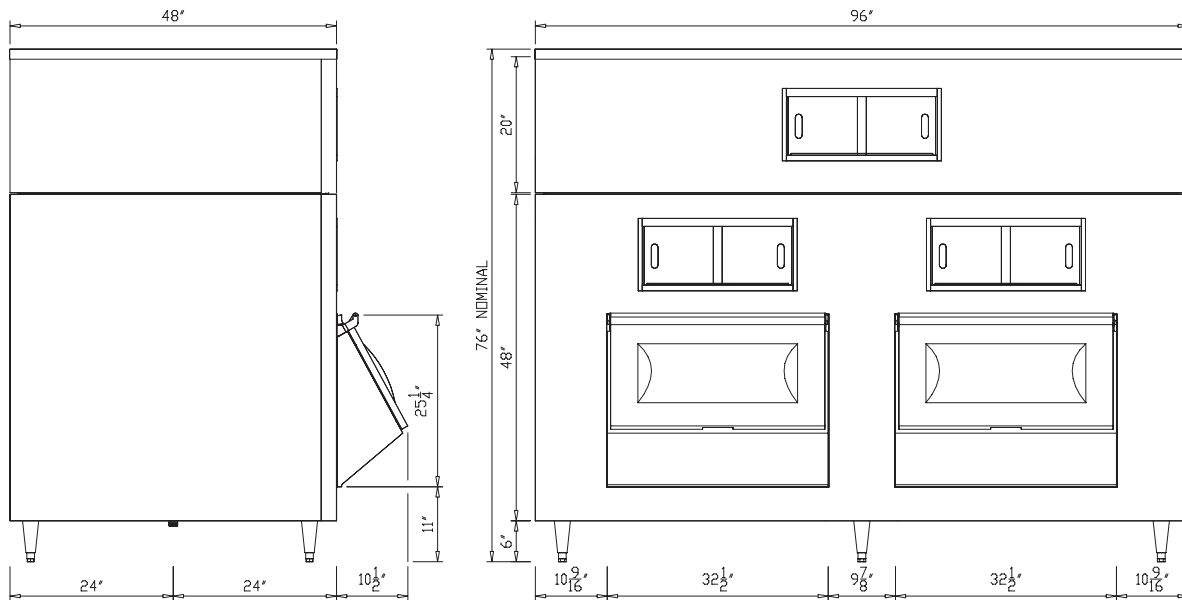
Kloppenberg Double Door Upright



APPLICATION CAPACITY

based on total volume per cubic foot x .9 x 34lb (ice den
 $(\text{WIDTH}-3) \times (\text{DEPTH}-3) \times (\text{HEIGHT}-8) / 1728 \times .9 \times 34$

2215	72	34	76	2576
3225	72	48	76	3739
4345	96	48	76	5039



www.kloppenberg.com

JOB:
ITEM:



800-346-3246 303-761-1615 fx 303-789-1741

Kloppenberg & Co
 2627 W Oxford Ave
 Englewood, CO 80110