

MB MASTER-BILT[®]

FUSION[™] SERIES

ITEM NO. _____
PROJECT _____
LOCATION _____
DATE _____ QTY. _____



MBCTM4-F SERIES

Countertop Freezer Merchandiser

MODEL

MBCTM4-F



FEATURES

CONSTRUCTION

- Adjustable thermostat
- Standard interior vertical fluorescent lighting
- Three adjustable shelves
- High-density, CFC-Free polyurethane insulation
- Standard 2¹/₂" tall legs

FINISH

- Galvanized powder coated painted exterior
- Pre-painted steel interior

DOORS

- Low-E double pane tempered thermal glass door
- Heated door perimeter
- Magnetic door gaskets

REFRIGERATION

- Self-contained, factory tested, refrigeration system
- Easy access to components
- Cold wall evaporator and condenser
- Manual defrost
- Refrigerant: R-134a
- Operating temperature: -10°F (-23°C)

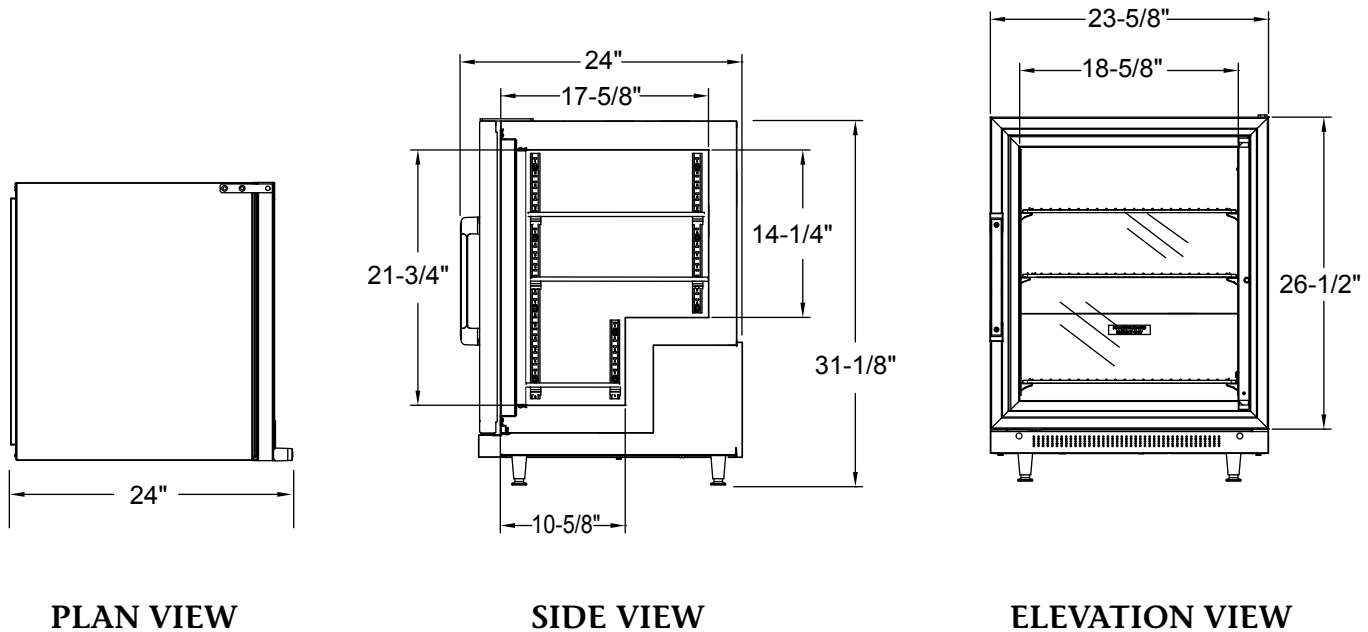
WARRANTY

- Standard limited one year parts and labor
- Additional four year coverage on compressor part

TECHNICAL SPECIFICATIONS

MODEL	DIMENSIONS (in.)			DIMENSIONS (mm)			VOLTS	AMPS	UNIT H.P.	NO. OF SHELVES	CAP. CU. FT.	SHIP WT. (LB/KG)
	L	D*	H**	L	D*	H**						
MBCTM4-F	23 ⁵ / ₈	24	31 ¹ / ₈	600	610	791	115	3.5	1/4	3	3.6	174/79

*Including door handle. **Height includes legs.



LISTINGS



HOOKUP

Via plug in, flexible three wire 14/3 cord with molded plug.



BID SPECIFICATIONS

Item no. MBCTM4-F. Provide _____ Countertop Freezer Merchandiser(s), Master-Bilt model no. MBCTM4-F.

Merchandiser will feature an adjustable thermostat, two adjustable shelves and leveling legs. The door will be low energy usage and be constructed with double pane

tempered glass. Door perimeter will be heated and door will also be equipped with magnetic gaskets.

The self-contained refrigeration system will be a cold wall design. Refrigerant will be R-134a. The temperature range will be -10°F (-23°C).

Merchandiser to have standard limited one year parts and labor warranty with additional four year coverage on compressor part.

Merchandiser to be ETL listed in the U.S. and Canada and ETL Sanitation listed.

NOTE: Cabinet designed for optimum performance in air-conditioned area at 75°F ambient and 55% relative humidity. All specifications subject to change without notice.