



## MBGRP-HG SERIES

### Bottom Mounted Swinging Glass Door Refrigerator Merchandisers With Lighted Sign

#### MODELS

- MBGRP23-HG
- MBGRP27-HG
- MBGRP48-HG
- MBGRP74-HG

## FEATURES

#### CONSTRUCTION

- Standard interior LED lighting
- Electronic digital thermostat
- 24 gauge painted textured galvanized steel interior and exterior
- Standard exterior finishes: Black or white
- Standard interior finish: White with stainless steel floor
- Top backlit graphic panel (standard blank sign applied without graphics)
- 1<sup>3</sup>/<sub>4</sub>" thick state-of-the-art, foamed-in-place "zero ODP" polyurethane insulation provides high R-value
- Adjustable legs for leveling
- Four adjustable heavy-duty epoxy-coated shelves per door adjustable on 1/2" pilasters
- Merchandiser profile matches other Fusion Plus refrigerator and freezer models

#### DOORS

- Auto-close, triple pane, safety glass doors
- Contemporary style black door frame and handles
- Heavy-duty universal workflow handles
- Easily replaceable snap-in magnetic vinyl door gaskets
- Standard door swing configuration:
  - 1-door ..... hinged right
  - 2-door ..... left door hinged left, right door hinged right
  - 3-door ..... left door hinged left, middle door hinged right, right door hinged right
- Maximum visibility with these door sizes:
  - MBGRP23-HG ..... 26" x 55<sup>1</sup>/<sub>2</sub>"
  - MBGRP27-HG ..... 29" x 55<sup>1</sup>/<sub>2</sub>"
  - MBGRP48-HG & MBGRP74-HG ..... 25" x 55<sup>1</sup>/<sub>2</sub>"

#### REFRIGERATION

- Self-contained bottom mount refrigeration system designed for optimum energy efficiency and low noise
- ENERGY STAR qualified, may be eligible for rebate programs
- Top mounted, low profile interior evaporator housing
- Energy-free condensate removal
- Refrigerant: R-134a
- Temperature range: 34° to 41°F (1° to 5°C)

#### WARRANTY

- **Standard limited three year parts and labor**
- **Additional two year coverage on compressor part**

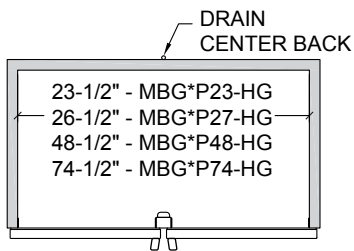
#### OPTIONS

- Casters
- Additional shelving
- Reverse door swing hinging kit (one-door models only)

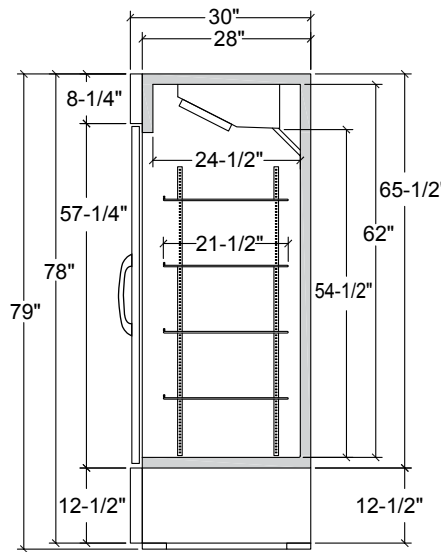
### TECHNICAL SPECIFICATIONS

MODEL	DIMENSIONS (in.)			DIMENSIONS (mm)			VOLTS	AMPS	UNIT H.P.	NO. OF DOORS	NO. OF SHELVES	SHELF SIZE (in.)	CAP. CU. FT.	SHIP WT. (LB/KG)
	L	D*	H	L	D*	H								
MBGRP23-HG	27	30	79	686	762	2007	115	4.5	1/5	1	4	22 <sup>1</sup> / <sub>2</sub> L x 21 <sup>1</sup> / <sub>2</sub> D	22.1	330/150
MBGRP27-HG	30	30	79	762	762	2007	115	4.5	1/5	1	4	25 <sup>1</sup> / <sub>2</sub> L x 21 <sup>1</sup> / <sub>2</sub> D	25.0	345/157
MBGRP48-HG	52	30	79	1321	762	2007	115	6.9	1/3	2	8	23 <sup>1</sup> / <sub>2</sub> L x 21 <sup>1</sup> / <sub>2</sub> D	45.7	530/241
MBGRP74-HG	78	30	79	1981	762	2007	115	7.7	1/2	3	12	23 <sup>1</sup> / <sub>2</sub> L x 21 <sup>1</sup> / <sub>2</sub> D (outer doors), 25 <sup>1</sup> / <sub>2</sub> L x 21 <sup>1</sup> / <sub>2</sub> D (middle door)	70.2	715/325

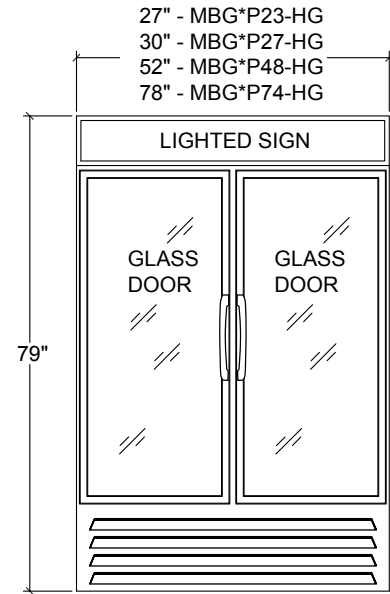
\*Does not include door handle.



PLAN VIEW



SIDE VIEW



ELEVATION VIEW

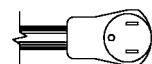
### LISTINGS



- Listed under NSF-7 for the storage and/or display of packaged food
- Meets 2012 Federal DOE Requirements
- Meets Canadian energy efficiency regulations

### HOOKUP

All models via plug in, 10 foot long, flexible three wire 14/3 cord with molded plug.



NEMA 5-15P

### BID SPECIFICATIONS

Item no. MBGRP\_\_\_\_\_-HG. Provide \_\_\_\_\_ Bottom Mounted Swinging Glass Door Refrigerator Merchandiser(s) With Lighted Sign, Master-Bilt model no. MBGRP\_\_\_\_\_-HG.

Merchandiser will be constructed of 24 gauge painted textured galvanized steel interior and exterior. Standard equipment will include interior LED lighting, top backlit graphic panel and four epoxy-coated shelves

per door adjustable on 1/2" pilasters.

Doors will be auto-close, triple pane, heated safety glass doors with heated frames.

Refrigeration system will be self-contained and designed for optimum energy efficiency and low noise. Also standard will be an energy-free condensate removal system.

The refrigerant will be R-134a and the temperature range will be 34° to 41°F (1° to 5°C)

Merchandiser to have standard limited three year parts and labor warranty with additional two year coverage on compressor part. Merchandiser to be UL and C-UL listed, UL EPH classified, and ENERGY STAR qualified. Merchandiser will also meet Canadian energy efficiency regulations.

**NOTE:** Cabinet designed for optimum performance in air-conditioned area at 75°F ambient and 55% relative humidity. All specifications subject to change without notice.