

ITEM NO. _____
PROJECT _____
LOCATION _____
DATE _____ QTY. _____



MPW554

MPW SERIES Heated Pass-Thru Cabinets

MODELS

- MPW252
- MPW554



NOTE: CEC certification applies to models with solid doors only.

FEATURES

STANDARD ELECTRONIC CONTROL

- Increases efficiency, reliability and convenience
- Convenient panel interface on the front of the merchandiser
- Decreases service time and calls
- Eliminates additional digital thermometer or other temperature indicator

CONSTRUCTION

- Exterior front, sides and doors are stainless steel
- Exterior top and bottom are galvanized steel
- All exterior joints and seams fold in without lap joints
- Interior liner and door panels are stainless steel
- 2" foamed-in-place polyurethane insulated walls

- Digital thermometer
- 4" diameter casters on one-section model
- 4" legs on two-section model
- Three heavy-duty nickel chrome shelves per section
- Interior incandescent light activated by a switch for the door

DOORS

- Available with lefthand or righthand door swing
- Heavy-duty pivot hinges
- Centered key locks
- Horizontal handles
- Self-adjusting magnetic gaskets

HEATING SYSTEM

- Electrically operated 1500 watt heating system for two-door model, 3000 watt system for four-door model
- System controlled by thermostat mounted on front of cabinet

- Heating element located in interior ducting
- Forced ducted air distribution maintains desired uniform temperature throughout cabinet
- Operating temperature adjustable from 180°F to 200°F (82°C to 93°C)

WARRANTY

- Limited two year parts and labor

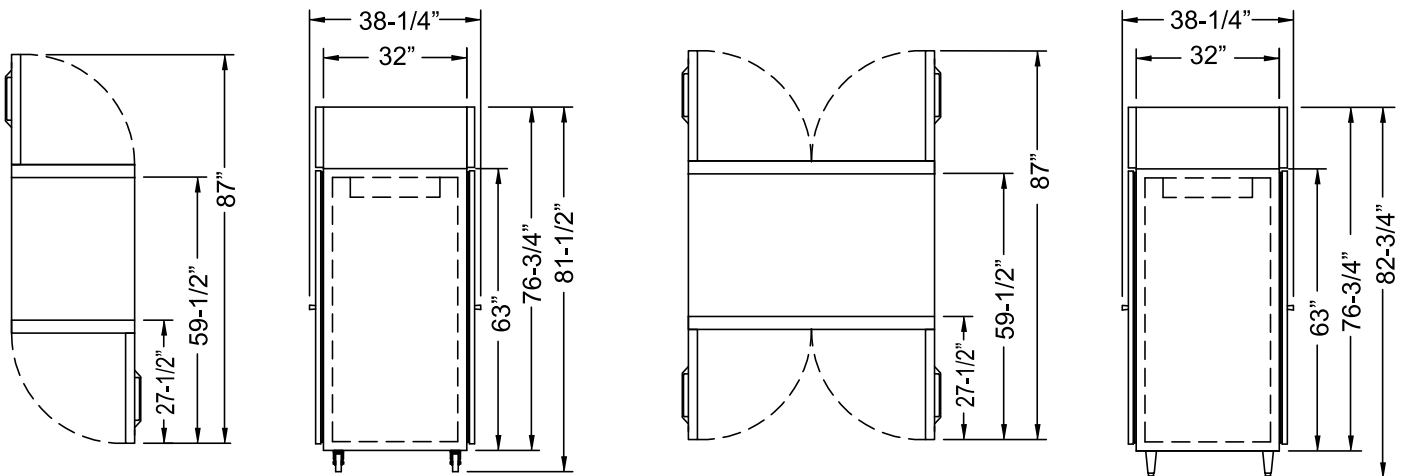
OPTIONS

- Extra stainless steel shelves
- Half solid doors
- Glass door one side (single section only)
- Legs in lieu of casters (single section only)
- Full door pan slides
- Half door pan slides

TECHNICAL SPECIFICATIONS

MODEL	DIMENSIONS (in.)			DIMENSIONS (mm)			VOLTS**	AMPS	HEATER WATT-AGE	NO. OF DOORS	NO. OF SHELVES	STANDARD SHELF SIZE (in inches)	CAP. CU. FT.	SHIP CU. FT.	SHIP WT. LB/KG
	L	D	H*	L	D	H*									
MPW252	27 ¹ / ₂	38 ¹ / ₄	81 ¹ / ₂	699	972	2070	115	12.5	1500	2	3	20L x 28D	25.6	55.2	350/159
MPW554	55	38 ¹ / ₄	82 ³ / ₄	1397	972	2102	115/208-230	13.7	3000	4	6	20L x 28D	55.7	105.3	550/250

*Height includes casters or legs. **MPW554 operates on a minimum of 208 volts. A voltage boosting transformer (part no. 39-01087) must be used when the supply voltage is less than 208 volts.



**MPW252
PLAN VIEW**

**MPW252
SIDE VIEW**

**MPW554
PLAN VIEW**

**MPW554
SIDE VIEW**

LISTINGS

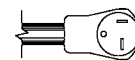


CEC certification applies to models with solid doors only.

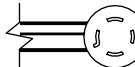
HOOKUP

MPW252: Via plug in, 10 foot long flexible three wire 14/3 cord with molded plug.

MPW554: Via plug in, 10 foot long flexible four wire 12/4 cord, 125/250 volt plug type, with neutral and ground wires and molded plug.



NEMA 5-20P (MPW252)



NEMA L14-20P (MPW554)

BID SPECIFICATIONS

Item no. MPW _____
Provide _____ () Heated Pass-Thru Cabinet(s), Master-Bilt model no. MPW _____.

Cabinet will feature stainless steel exterior front, sides, back and doors. The exterior top and bottom will be galvanized steel while the interior liner and door panels will be stainless steel.

Standard features include an electronically controlled monitoring system, four-

inch casters on one-door model, 4" legs on two-door model and three nickel chrome shelves per section.

Doors will feature heavy-duty pivot hinges, centered key locks, horizontal handles and self-adjusting magnetic gaskets.

An electrically operated 1500 watt heating system will be standard on two-door models. A 3000 watt system will be standard on four-door models. The heating system will be controlled by a thermostat

mounted on the cabinet front. A forced ducted air distribution system will provide uniform temperature throughout cabinet. The operating temperature will be adjustable from 180°F to 200°F (82°C to 93°C).

Cabinet to have standard limited two year parts and labor warranty. Cabinet to be UL and C-UL listed and UL EPH classified. Cabinets with solid doors will also be California Energy Code certified.

NOTE: Cabinet designed for optimum performance in air-conditioned area at 75°F ambient and 55% relative humidity. All specifications subject to change without notice.