



- Add European style while creating dispense excitement.
- Condition the glass before pouring – invert glass, push down on sprayer for cold water rinsing.
- Draft tower mounts directly to platform tray eliminating coring of counter top.
- Robust 18 gauge stainless steel module with full plywood under support.



DP-1604

Feature

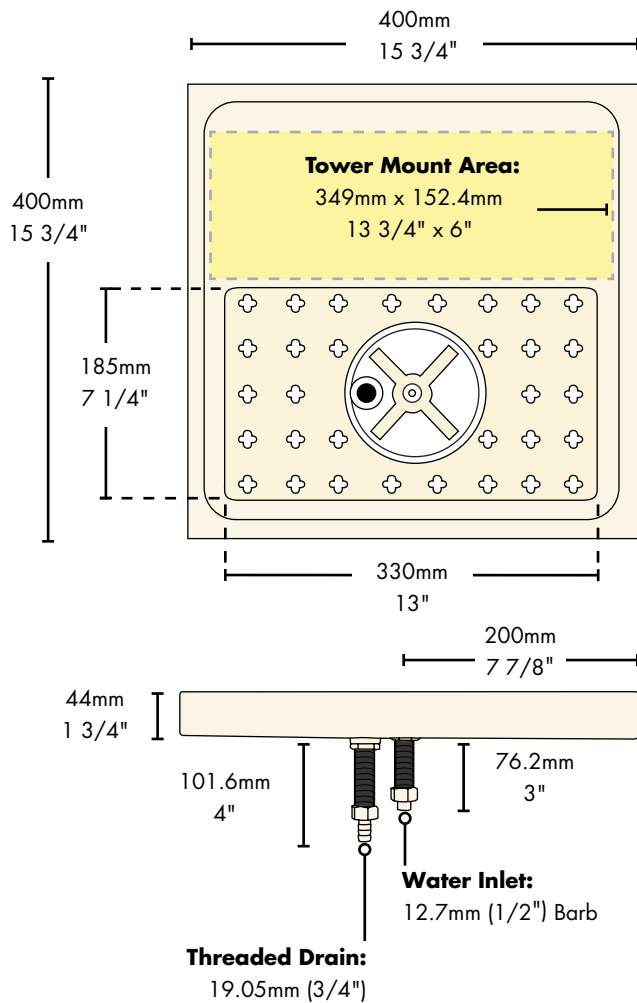
- S** Stainless Steel for improved hygiene and durability.

Part No.	Description	Shipping Weight	Box Dimensions
<input type="checkbox"/> DP-1604	Polished Stainless Steel	4 kg	406mm L x 406mm W x 57mm H
		11 lbs	16"L x 16"W x 2 1/4"H

Rinser Water Inlet Installation

- Always check local plumbing codes first.
- Install in-line water regulator set at 15 PSI from the street water supply (no greater, perfect operating pressure).
- Install in-line one way check valve from the street water supply (prevents pressure drop which can cause leaking).
- Install in-line shut-off for the rinser system from the street water supply (this must be turned off nightly).
- If teed into soda system make sure system can handle the increased water demand. Have plumber install a 45° 1/2" O.D. barb for the drains if line is not hard plumbed into the system.
- Install a shut-off for the rinser water supply if line is not hard plumbed into the system.

Dimensions



Copyright ©2012 Micro Matic USA, Inc. All Rights Reserved.

00096D0312



www.micromatic.com

Toll Free: 1-(866) 327-4159

West	Central	Southeast	Northeast
19791 Bahama Street Northridge, CA 91324 Tel. (818) 701-9765 Fax. (818) 701-9844	10726 North Second Street Machesney Park, IL 61115 Tel. (815) 968-7557 Fax. (815) 968-0363	2364 Simon Court Brooksville, FL 34604 Tel. (352) 799-6331 Fax. (352) 796-2429	4601 Saucon Creek Road Center Valley, PA 18034 Tel. (610) 625-4464 Fax. (610) 625-4466