



MONTAGUE
TECHNOSTAR
Heavy-Duty
Gas Infrared, Cheesemelters

Item No. _____

Project _____

Quantity _____

CM-BHS Series



Model CM36-BHS

MODEL GUIDE

Model No.	Unit Width	Shelf Width	Power BTU/hr
CM24-BHS	24" (610mm)	21-1/2" (546mm)	20,000
CM36-BHS	36" (914mm)	33-1/2" (851mm)	32,000
CM48-BHS	48" (1219mm)	45-1/2" (1156mm)	40,000
CM60-BHS	60" (1524mm)	57-1/2" (1461mm)	52,000
CM72-BHS	72" (1829mm)	69-1/2" (1765mm)	64,000

STANDARD CONSTRUCTION FEATURES:

- Satin finish stainless steel front, side panels and top
- Other surfaces painted black with electrolytic zinc undercoating
- Cheesemelter interior high temperature aluminized steel
- 1" (25mm) high rear flue riser
- 3/4" (19mm) NPT gas connection [location varies by model]

AGENCY APPROVALS

- NSF Listed
- CSA Design Certified to ANSI Z83.11 • CSA 1.8

SHORT/BID SPECIFICATION

Cheesemelter shall be a Montague *Technostar* Model:
CM_ [Specify Width: 24" (610mm), 36" (914mm), 48" (1219mm), 60" (1524mm) or 72" (1829mm)]
-BHS for Back High Shelf mounting on T- or VT- Technostar Series;
 ...a gas-fired, infrared-heated, overfired unit with nickel-plated steel plate shelf with four-position side support racks; plus all the features listed and options/accessories checked:

RAPID-START INFRARED BURNER FEATURES:

- 20,000 and/or 32,000 BTU/hr ceramic tile burners [depending on model]
- Top-mounted ceramic burner(s) ensure uniform infrared heating
- Full flow ON/OFF operation with
- Standing pilot for automatic ignition

PLATE SHELF FEATURES:

- One piece nickel-plated plate shelf: 13-1/8" (333mm) deep x [*See width chart]
- Four-position side supports to adjust distance to burners
- Open design for easy a-la-carte use and cleaning

MOUNTING ALTERNATIVES:

- **CM_-BHS Models** are High Shelf mounted on a T- or VT- Technostar Series
- **CM_ Models** are designed for (non-combustible) countertop mounting [See OPTIONS for 4" (102mm) legs or wall-mounting support brackets]

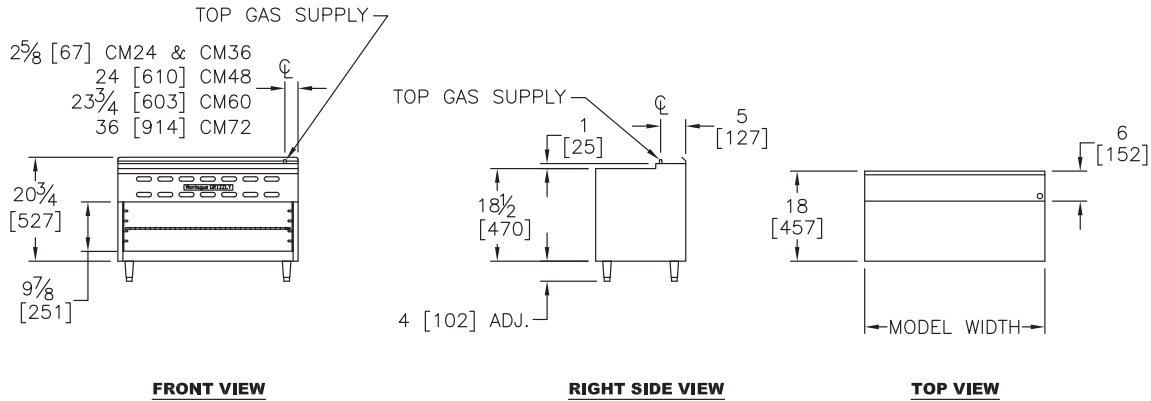


MDB-7 [Rev. 1/15]

Heavy-Duty Gas Infrared, Cheesemelters

CM-BHS Series

Dimensions in brackets are millimeters



OPTIONS GUIDE:

Finish:

- Stainless steel back panel
- Stainless steel bottom

Mounting:

- Wall mounting brackets — black
- 4" (102mm) legs — satin finish stainless steel
 [Note: Legs can not be added in the field.]
- Interconnecting gas line from range

International Approvals:

- Canadian Approval

INSTALLATION REQUIREMENTS & SHIPPING INFORMATION

1. Technostar units must be installed in accordance with local codes or in their absence with the National Fuel Gas Code: ANSI Z223.1; Natural Fuel Gas Code: CAN/CGA-B149.1 or Propane Installation Code: CAN/CGA-B149.2, as applicable. Compliance with codes is the responsibility of the Owner and Installer.
2. An adequate ventilation system is required. Refer to National Fire Protection Association Standard No. 96, "Vapor Removal from Cooking Equipment."
3. This appliance is intended for commercial use by professionally trained personnel. NOT intended for Residential Use.
4. Specify installation elevation: _____ if above 2000 feet (610m).
5. GAS INLET SIZE/LOCATION — All Models: 3/4" NPT:
 - CM24 & CM36: 2-5/8" (67mm) from right rear
 - CM48 & CM72: rear centered
 - CM60: 23-3/4" (603mm) from right rear
6. A 3/4" NPT gas pressure regulator is provided and must be installed (by others) when unit is connected to gas supply. Not required with OPTIONAL interconnecting gas line from range.

Mounting Requirements/Minimum Clearances	
Counter Mounting	Non-combustible counters & adjacent walls
Wall Mounting	Non-combustible walls only — 18" (457mm) from side & bottom combustible material.
Range Mounting	See range rating plate for clearances.

Specify Type of Gas:		Natural	Propane
Gas Delivery Pressure:		<input type="checkbox"/> 6.0" WC	<input type="checkbox"/> 10.0" WC
Models:	Burners	BTU/hr (kWh)	BTU/hr (kWh)
CM24-BHS	1	20,000 (5.8)	20,000 (5.8)
CM36-BHS	1	32,000 (9.4)	32,000 (9.4)
CM48-BHS	2	40,000 (11.7)	40,000 (11.7)
CM60-BHS	2	52,000 (15.2)	52,000 (15.2)
CM72-BHS	2	64,000 (18.8)	64,000 (18.8)

Unit Width	Shipping Weight lbs/(kg)	Shipping Class	Cube (Crated) ft ³ /m ³
24" (610mm)	154 (70)	85	13/.4
36" (914mm)	200 (91)	85	13/.4
48" (1219mm)	304 (138)	85	17/.5
60" (1524mm)	360 (163)	85	20/.6
72" (1829mm)	419 (190)	85	25/.7

*Total — 20,000 and/or 32,000 burners

Due to continuous product improvements, specifications are subject to change without notice.



THE MONTAGUE COMPANY

1830 Stearman Avenue, Hayward, CA 94545

800 345-1830 • Fax: 510 785-3342

www.montaguecompany.com

