

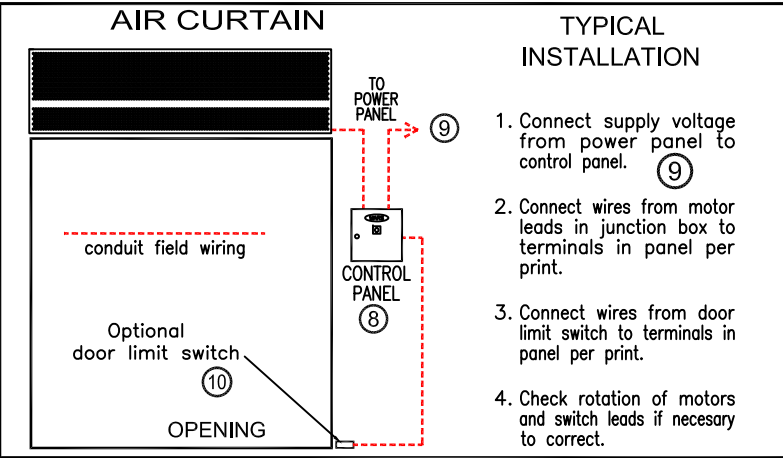
NOTES:

- ① This product is designed to meet the National Electric Code (NEC) and is ETL Listed for the US and Canada and bear the CE mark.
- ② 7/16" top mounting holes (4) provided, (2) on each end.
- ③ 1/2" key hole slots and 7/16" mounting holes (4) provided, (2) on each end for wall mounting.
- ④ All units have a self contained one piece cabinet, fire retardant and corrosion proof paint lock metal double protected with baked on Obsidian Black color, rust preventative electrostatic polyurethane powder coating.
- ⑤ Cabinet has sufficient strength for fastening to wall on both ends without intermediate support.
- ⑥ Internal J-Box(es) for electrical wiring.
- ⑦ Unit is to be installed such that air flow is unobstructed. Air discharge nozzle contains adjustable air directional vanes with 40° sweep front to back.
- ⑧ Optional motor control panel. Overloads are factory pre-set. Standard procedure is to ship panel loose for remote mount. Can be factory mounted on either left or right hand side of air curtain housing. Please specify.
- ⑨ Circuit protected as per NEC by others.
- ⑩ Optional door limit switch is field installed and it to be wired to the control panel. Switch to be mounted such that the air curtain turns on as door begins to open.
- ⑪ Hot Water application shown. For Steam, return fitting is at bottom of manifold and supply is at center of manifold.



*NOTE: Intake screen size and number varies with unit length.

MODEL NUMBER	MOUNTING CENTERS A	LENGTH B*
STD236-1*	35 1/4"	36"
STD242-1*	41 1/4"	42"
STD248-1*	47 1/4"	48"
STD260-1*	59 1/4"	60"
STD260-2*	59 1/4"	60"
STD264-2*	63 1/4"	64"
STD272-2*	71 1/4"	72"
STD278-2*	77 1/4"	78"
STD284-2*	83 1/4"	84"
STD296-2*	95 1/4"	96"
STD296-3*	95 1/4"	96"
STD2108-3*	107 1/4"	108"
STD2120-3*	119 1/4"	120"
STD2144-3*	143 1/4"	144"
STD2144-4*	143 1/4"	144"



PROJECT	Model No.:
LOCATION	Drawing No.:
ARCHITECT	Date
ENGINEER	Sheet of
	Drawn By:
	Checked By:



14716 S. BROADWAY • GARDENA, CA 90248 • USA
 TEL: (310) 532-1555 • (800) 421-1266 • FAX: (310) 324-3030
 Web Site: www.marsair.com • E-mail: info@marsair.com

JOB:

ARCHITECT/ENGINEER:
CONTRACTOR:

DRWG.: _____
SHEET _____ **of** _____ **DATE:** _____

MARK	STANDARD STEAM HOT WATER HEATED MODEL NUMBER ①	NO. REQ'D	LENGTH	DRY WEIGHT (LBS) 1ROW / 2ROW	MOTOR FAN DATA							HEATING CAPACITY OF COILS								dBA Measured 10ft. from Nozzle	REMARKS
					MOTOR HP 1750** RPM	FLA† SINGLE PHASE		FLA† THREE PHASE		MAX FPM** @ NOZZLE	MAX CFM** @ NOZZLE	STEAM ②				HOT WATER ②					
						115V	208/230V	208/230V	460V			HEAT MBH		TEMP RISE ° F		HEAT MBH		TEMP RISE ° F			
												ONE ROW	TWO ROW	ONE ROW	TWO ROW	ONE ROW	TWO ROW	ONE ROW	TWO ROW		
	STD236-1*		3'	80/90	1/2	5.1	2.5/2.5	1.8/1.6	0.8	3400	2550	78	-	29	-	55	93	20	30	66	
	STD242-1*		3'6"	95/105	1/2	5.1	2.5/2.5	1.8/1.6	0.8	2925	2550	86	-	31	-	61	101	20	30	66	
	STD248-1*		4'	110/120	1/2	5.1	2.5/2.5	1.8/1.6	0.8	2550	2550	93	-	34	-	64	105	20	30	66	
	STD260-1*		5'	130/140	1/2	5.1	2.5/2.5	1.8/1.6	0.8	2550	2550	123	-	30	-	73	117	20	30	66	
	STD260-2*		5'	140/150	Two 1/2	10.2	5.0/5.0	3.6/3.2	1.6	3825	5100	151	-	27	-	80	125	20	30	68	
	STD264-2*		5'4"	145/155	Two 1/2	10.2	5.0/5.0	3.6/3.2	1.6	3825	5100	153	-	27	-	83	130	20	30	68	
	STD272-2*		6'	175/185	Two 1/2	10.2	5.0/5.0	3.6/3.2	1.6	3475	5100	159	-	28	-	91	145	20	30	68	
	STD278-2*		6'6"	190/205	Two 1/2	10.2	5.0/5.0	3.6/3.2	1.6	3200	5100	182	-	33	-	118	189	20	30	68	
	STD284-2*		7'	205/210	Two 1/2	10.2	5.0/5.0	3.6/3.2	1.6	2925	5100	175	-	32	-	120	193	20	30	68	
	STD296-2*		8'	225/240	Two 1/2	10.2	5.0/5.0	3.6/3.2	1.6	2550	5100	188	-	34	-	120	189	20	30	68	
	STD296-3*		8'	235/250	Three 1/2	15.3	7.5/7.5	5.4/4.8	2.4	3825	7650	224	-	27	-	171	277	20	30	71	
	STD2108-3*		9'	255/285	Three 1/2	15.3	7.5/7.5	5.4/4.8	2.4	3400	7650	245	-	30	-	178	280	20	30	71	
	STD2120-3*		10'	275/295	Three 1/2	15.3	7.5/7.5	5.4/4.8	2.4	3060	7650	256	-	31	-	181	286	20	30	71	
	STD2144-3*		12'	300/320	Three 1/2	15.3	7.5/7.5	5.4/4.8	2.4	2550	7650	283	-	34	-	189	293	20	30	71	
	STD2144-4*		12'	330/355	Four 1/2	20.4	10.0/10.0	7.2/6.4	3.2	3400	10,200	322	-	29	-	247	396	20	30	73	

NOTES: ① *When specifying one row design use "Y" for steam and "W" for hot water, for two row design, use "X" for Hot Water and "Z" for steam. See Code Chart below.

†-For Ampacity Multiply FLA X 1.25
**-17% Reduction in Performance on units with 50Hz.

② MBH and air temperature rise based on 70° ambient air and (5 psi steam) or (200°F hot water).

EQUIPMENT SPECIFICATIONS - Standard Features

ACCESSORIES

Refer to the optional features and accessories page.

GENERAL: Air curtain shall be a Mar® Air Systems brand air curtain: Type STD2 Steam or Hot Water heated.

EXAMPLE

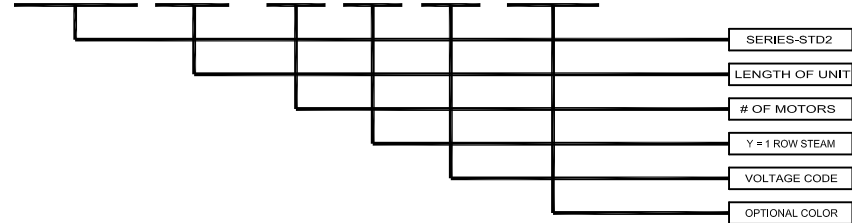
APPROVALS

Air curtains, excluding coils, shall be Underwriters Listed, Canadian Standards Association Certified and meet the requirements of the National Electric Code, (N.E.C.), ETL Listed for US & Canada, and bear the CE mark.

① **STD2 64 - 2 Y H - TS**

CABINET

Cabinet shall be a self contained one piece housing with sufficient strength for fastening to wall on both ends without intermediate support. Cabinet constructed of fire retardant, Corrosion proof paint lock metal double protected with baked on Obsidian Black color, rust preventative electrostatic polyurethane powder coating. Discharge air outlet is internal wedge shaped containing adjustable air directional aluminum vanes with 40° sweep front to back. Motor/Fan assembly to be easily accessible for maintenance.



COIL CONSTRUCTION FOR BOTH HOT WATER & STEAM

Coils shall be constructed of .035" heavy tube wall x 5/8" OD seamless copper tubing with die formed aluminum fins. Tubes shall be arranged in a staggered pattern in the direction of air flow. Casings shall not be less than 16 gauge galvanized steel with tube holes formed with extruded collars. Tubes shall mechanically expanded into fins to ensure a uniform pressure bond throughout the entire length of each tube. Manifolds shall be of heavy seamless copper construction. All joints shall be brazed with high temperature silver brazing alloy. Fittings shall be of wrought copper or similar construction such that the entire fluid circuit shall be of compatible nonferrous materials. Manifold shall be fitted with 1/4" vent or drain fittings. Supply fitting is on the right side of coil. Return fitting is on the left side. Coils are shipped mounted.

HEATING OPTION	CODE
1 ROW HOT WATER	W
2 ROW HOT WATER	X
1 ROW STEAM	Y

MOTORS AND BLOWER WHEELS

Motor(s) shall be totally enclosed air over (TEAO) type suitable for continuous heavy duty, all angle operation. Construction shall include sealed lifetime pre-lubricated ball bearings, resilient mounted and protected by an automatic reset thermal overload switch. Motor(s) to have quick disconnect plugs for fast easy removal of motor/fan assembly for inspection and cleaning. Motor(s) to have double extended shaft and direct drive, double inlet, dynamically balanced, forward curve squirrel cage blower wheels. Shipped loose for units over 4 feet long.

SIZE	VOLTAGE	CODE
36"-144"	115/1/60	A
36"-144"	208-230/1/60	D
36"-144"	220/1/50	U
36"-144"	208-230/3/60	G
36"-144"	460/3/60	H
36"-144"	575/3/60	I

ELECTRICAL WIRING

All junction boxes are internally mounted one motor (1) - 2"x4"; two motors (1) 4"x4"; three or four motors (2) 4"x4".

COLOR	CODE
OBSIDIAN BLACK	OB
TITANIUM SILVER	TS
PEARL WHITE	PW
SPARTAN BRONZE	SB
BATTLESHIP GRAY	BG

GUARANTEE Shall be 18 months on all parts.

MADE WITH PRIDE IN THE USA

STANDARD2 (STD2) 1/2 HP STEAM AND HOT WATER HEATED MODELS