

# JET-TECH

## model F-22

High-temp door type dishwasher

- Built-in booster for superior sanitation
- Fully automatic hood-type single rack dishmachine
- Program features wash phase at 150°F. (65°C.) and final rinse phase at 185°F. (85°C.)
- Capacity: 45 racks per hour
- Built-in automatic detergent pump for consistent results
- Built-in rinse-additive pump for sparkling results
- Wash dishes or trays with a maximum height of 18.5 in. (47 cm)
- Designed to be installed either in a corner or straight pass-thru set-up
- Standard equipment includes:  
One open combination rack and one peg dish rack  
19.75" x 19.75" (500 mm x 500 mm)

### OPTIONAL ACCESSORIES

- Pressure reducing valve (PRV) kit
- Splash shield for corner installations



# model F-22

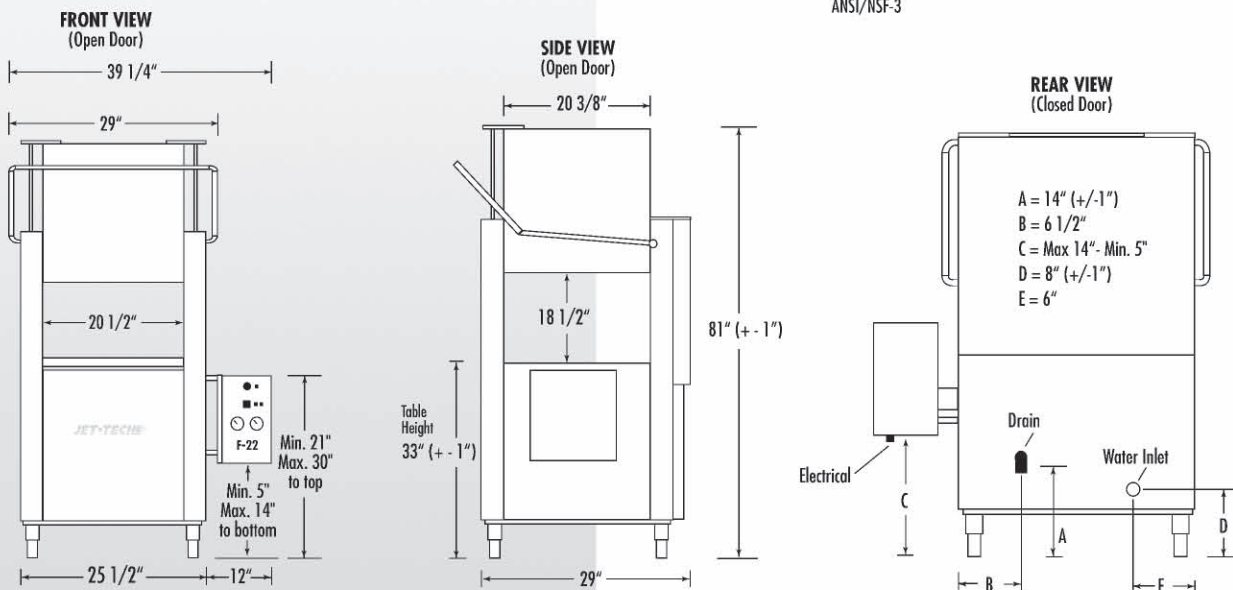
## High-temp door type dishwasher

### CONSTRUCTION FEATURES

- Body, external housing, wash tank, and all chassis components in brushed stainless steel - type 304 16 ga.
- Upper and lower wash and rinse jets on revolving arms constructed of stainless steel, easy to remove and clean without the need for tools
- Integrated AISI 18/10 stainless steel booster
- Adjustable bullet-style feet
- Safety two-way automatic micro-switch on the door controlling the operation of the wash motor-pump
- Independently-operated heating elements alternating between booster and wash tank
- Alternating heating resistors reduce maximum absorption thereby lowering energy costs
- Automatic fill and water level regulation of the wash tank
- Wash pump protected with double scrap filters easy to remove for quick cleaning and proper maintenance
- Additional scrap filter provided to protect wash motor pump
- Machine can be installed either as an in-line or corner application with simple field modification
- Side mounted control panel with easy access for service
- Individual analog thermometer gauges displaying wash and rinse temperatures

### TECHNICAL FEATURES

- **Rack capacity:** 19.75" x 19.75" (500 mm. x 500 mm.)
- **Complete cycle:** ~80 seconds
- **Wash tank capacity:** 4.75 U.S. gallons (18 liters)
- **Wash tank element:** 4000 Watts
- **Wash temperature:** 150°F. (65°C.)
- **Booster capacity:** 2.7 U.S. gallons (10.2 liters)
- **Booster element:** 9000 Watts
- **Booster (water) temperature:** 185°F. - 194°F. (85°C. - 90°C.)
- **Maximum power absorption:** 9,700 Watts
- **Wash motor-pump:** 1.25 HP with thermic drill to 320°F. (160°C.) and motor insulation
- **Power supply:** 208-240V / 60 Hz.
- **Amperage:** Single phase - 46.8A or Three phase - 33.8A  
**(Please specify when ordering)**
- **Water consumption:** 1.0 U.S. gallon per cycle (3.8 liters)
- **Water consumption/hr:** 49.75 U.S. Gallons / 188.3 Liters maximum
- **Water supply:** 1/2" hot water supply 140°F/60°C
- **Flow pressure:** 25 p.s.i. (dynamic) (PRV may be required)
- **Water inlet connection:** 3/4" male hose connector (hose included)
- **Drain connection:** 1.5" ID (38mm) hose connection (hose included)
- **Shipping weight:** 342 lbs. (155 kg)



### MVP GROUP CORPORATION

HEAD OFFICE: 5659 Royalmount Ave., Montreal, QC, Canada H4P 2P9

TEL: (514) 737-9701 • TOLL FREE: (888) 275-4538 • FAX: (514) 342-3854 • TOLL FREE FAX: (877) 453-8832

www.mvpgroupcorp.com • e-mail: sales@mvpgroupcorp.com

In line with our continuing policy on research and product development, we reserve the right to alter specifications and prices without notice.