



JOB:
ITEM:
QTY:



PRODUCE/STOCKING CART

APPLICATION:

These all welded aluminum carts provide maximum strength and durability. The solid top carts have a marine edge to help contain spills. The T-Bar top carts provide air circulation.

MATERIAL:

Framework is constructed of 1 1/4"x1 1/4"x.070" wall tubing. Solid shelves are constructed with .080" aluminum sheet with raised marine edge. T-Bar shelves are constructed using 1 1/4"x2 1/4"x.100" wall T-Bar. Legs and handles are constructed out of 1 5/16" diameter pipe.

CASTERS:

These carts come equipped with 5" platform type casters.

GUARANTEE:

These carts carry a **Lifetime Guarantee** against rust and corrosion and also carry a **Five-Year Guarantee** against workmanship and material defects.



Model #1415



Model #1420

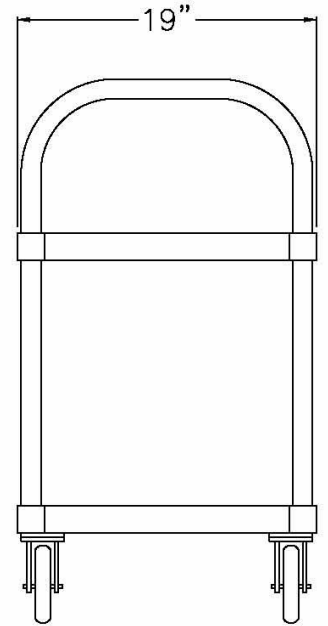
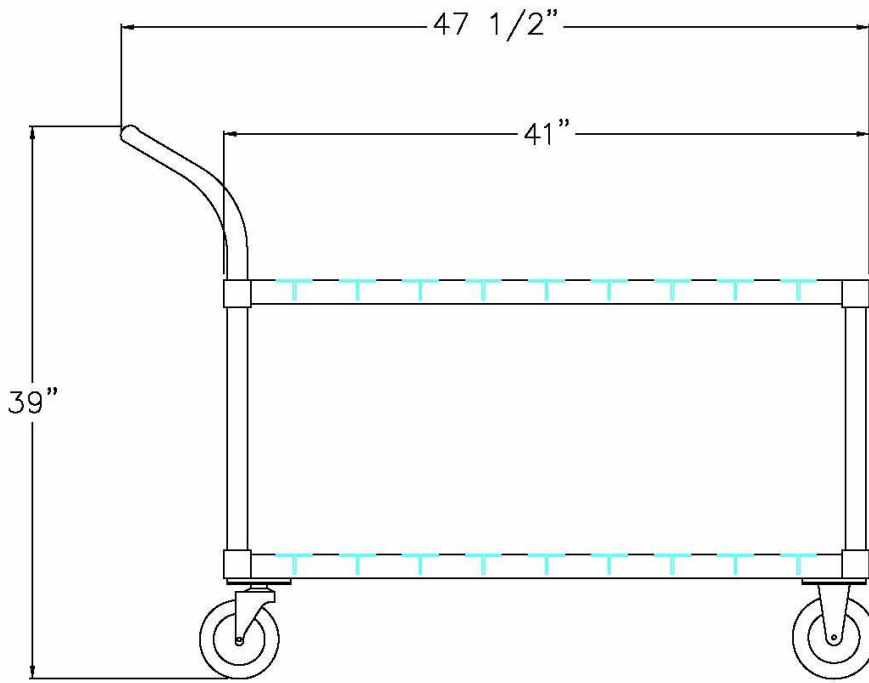


Model #1490



Phone:800-255-0104
Fax: 877-877-7687
www.newageindustrial.com
sales@newageindustrial.com

New Age Industrial reserves the right to modify or make changes at any time without notice to materials and specifications.



Model #1420

Model No.	Size-W	Size-H	Size-D	Wt. Cap.	No. Casters
Solid Top Shelf - T-Bar Bottom Shelf					
1415	19"	30"	41"	800#	4
Solid Top Shelf - T-Bar Bottom Shelf W/Handle					
1416	19"	39"	47 1/2"	800#	4
T-Bar Top & Bottom Shelf W/Handle					
1420	19"	39"	47 1/2"	800#	4
Solid Top & Bottom Shelf W/Handle					
1490	19"	39"	47 1/2"	800#	6



Phone: 800-255-0104
 Fax: 877-877-7687
www.newageindustrial.com
sales@newageindustrial.com

New Age Industrial reserves the right to modify or make changes at any time without notice to materials and specifications.