



JOB:  
ITEM:  
QTY:



# ADJUSTABLE TRAY DRYING RACKS

## APPLICATION:

These racks conveniently stack pans and trays for drying without contact, allowing air to circulate freely for faster drying and to reduce pan-to-pan contamination.

## MATERIAL:

Upright posts are 1 5/16" diameter pipe, framework for shelves is constructed of 1 1/2"x1 1/2"x.070" wall tubing, tray guides are constructed of .090" thick angle that are ideally spaced on 1 1/2" and 2 3/4" centers.

## CASTERS:

These racks come equipped with four 5" platform type swivel casters.

## GUARANTEE:

These racks carry a **Lifetime Guarantee** against rust and corrosion and also carry a **Five-Year Guarantee** against workmanship and material defects.

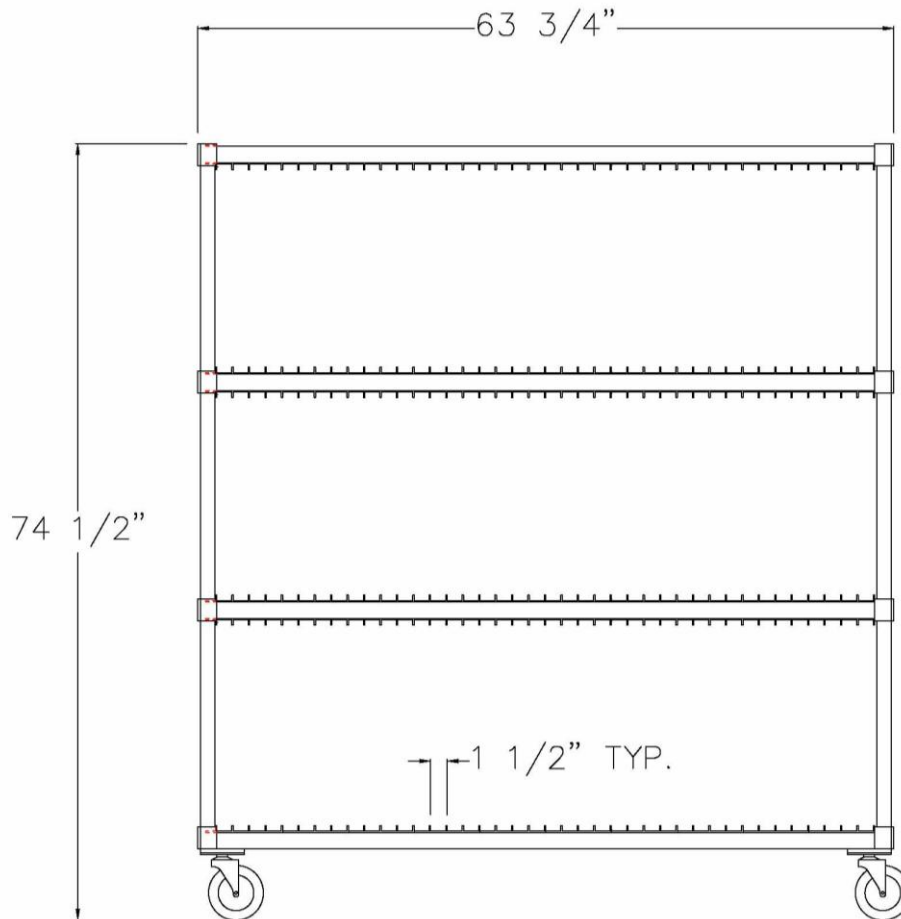


Model #95333



Phone: 800-255-0104  
Fax: 877-877-7687  
[www.newageindustrial.com](http://www.newageindustrial.com)  
[sales@newageindustrial.com](mailto:sales@newageindustrial.com)

New Age Industrial reserves the right to modify or make changes at any time without notice to materials and specifications.



**Model #95333**

Model No.	Size-D	Size-H	Size-W	Tray Levels	Guide Clearance
95413	28"	50 1/2"	63 3/4"	2	1.4"
96090	28"	50 1/2"	59"	2	2.65"
95333	28"	74 1/2"	63 3/4"	3	1.4"
96087	28"	74 1/2"	59"	3	2.65"

\*Standard posts limit the maximum spacing available.

2-Tier = 19 1/2" Evenly Spaced

3-Tier = 20 3/8" Evenly Spaced



Phone: 800-255-0104  
 Fax: 877-877-7687  
[www.newageindustrial.com](http://www.newageindustrial.com)  
[sales@newageindustrial.com](mailto:sales@newageindustrial.com)

New Age Industrial reserves the right to modify or make changes at any time without notice to materials and specifications.