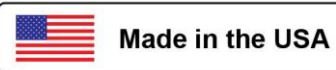




JOB:
ITEM:
QTY:



PIZZA PAN RACK

APPLICATION:

These racks are specially designed to adjust to your pan's needs. Will adjust to hold anything from a 10" pan through to a 16" pan.

MATERIAL:

Framework is constructed of 1"x1"x.070" wall tubing, angle runners are 1 1/2"x2 3/4"x.080" wall.

CASTERS:

These racks come equipped with four 5" stem type swivel casters. Uprights are reinforced to help prevent breakage.

GUARANTEE:

These racks carry a **Lifetime Guarantee** against rust and corrosion and also carry a **Five-Year Guarantee** against workmanship and material defects.

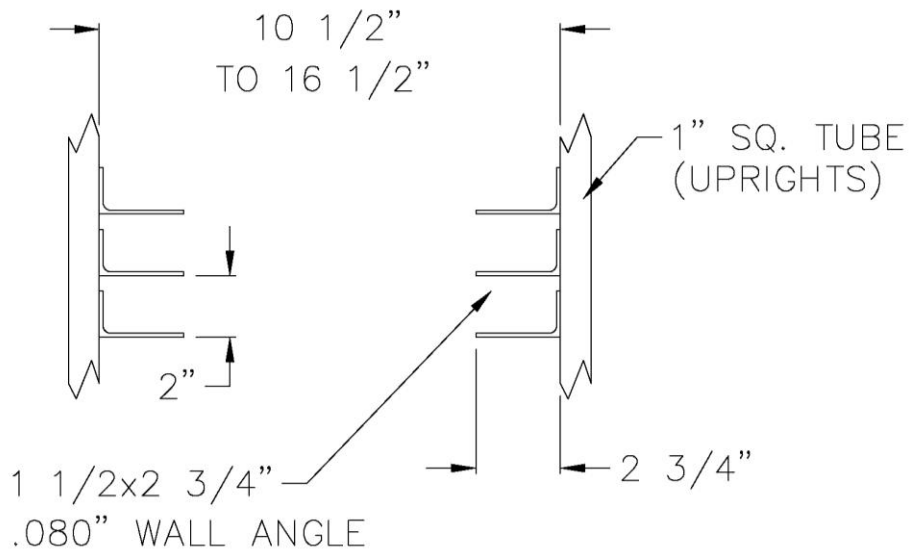


MODEL #NS590A



Phone: 800-255-0104
Fax: 877-877-7687
www.newageindustrial.com
sales@newageindustrial.com

New Age Industrial reserves the right to modify or make changes at any time without notice to materials and specifications.



RACK IS ADJUSTABLE ON 1" INCREMENTS

Model No.	Size-W	Size-H	Size-D	Pan Cap.	Description	Runner Spacing
NS590A	ADJ.	34 3/4"	13 3/8"	13	1 WIDE/ 1 HIGH	2"
NS599A	ADJ.	62 1/8"	13 3/8"	26	1 WIDE/ 2 HIGH	2"
NS603A	ADJ.	62 1/8"	13 3/8"	52	2 WIDE/ 2 HIGH	2"
NS596A	ADJ.	62 1/8"	13 3/8"	78	3 WIDE/ 2 HIGH	2"
NS600A	ADJ.	34 3/4"	13 3/8"	26	2 WIDE/ 1 HIGH	2"

*ANGLE RUNNERS ARE **NOT** ADJUSTABLE



Phone: 800-255-0104
 Fax: 877-877-7687
www.newageindustrial.com
sales@newageindustrial.com

New Age Industrial reserves the right to modify or make changes at any time without notice to materials and specifications.