

NOR-LAKE, INCORPORATED
 727 Second Street
 P.O. Box 248
 Hudson, Wisconsin 54016

800-955-5253
 715-386-2323
 866-961-5253 Parts
 800-388-5253 Service
 715-386-4291 FAX
 www.norlake.com



NOVA™ HEATED ROLL-THRU CABINETS



PROJECT:

 ITEM NUMBER:

 MODEL NUMBER:

HEATED ROLL-THRU CABINETS

SPECIFICATIONS FOR: PWW332 & PWW724

- **Exterior finish:** Exterior side and doors are stainless steel. The exterior top and bottom are galvanized steel. All exterior joints and seams fold in without lap joints. No exposed raw edges.
- **Interior finish:** Interior liner and interior door panels are stainless steel.
- **Insulation:** The complete cabinet and door(s) are foamed-in-place with polyurethane insulation.
- **Hardware:** Heavy duty, pivot hinges; centered key locks; Horizontal work flow handles; self adjusting magnetic gaskets. Each compartment has stainless steel bumper/cart guides.
- **Electrical:** All models are standard with an interior incandescent light activated by a switch for the doors.
- **Instrumentation:** Digital LED thermometer reading degrees F.
- **Heating system:** Electrically operated 1500 watt heating system for 2 door model and a 3000 watt heating system for the 4 door model, is controlled by a thermostat mounted in front of the cabinet. Heating element is located in the interior ducting. Forced air distribution maintains desired uniform temperature throughout the cabinet. Operating temperature is adjustable from 180°F to a maximum of 200°F.
- **Approvals:** UL listed
 C-UL listed**
 UL Sanitation listed**

STANDARD FEATURES

- Digital thermometer
- Ducted air distribution
- Horizontal work flow handle
- Incandescent interior light
- Key locks
- Magnetic gasketing
- Operating temperature: To 200°F.
- Polyurethane insulation
- Roll-in entrance ramp
- Stainless steel exterior
- Stainless steel interior
- UL, C-UL & UL Sanitation listed**
- Warranties: 12 months parts and labor

OPTIONAL FEATURES*

- Alarm systems

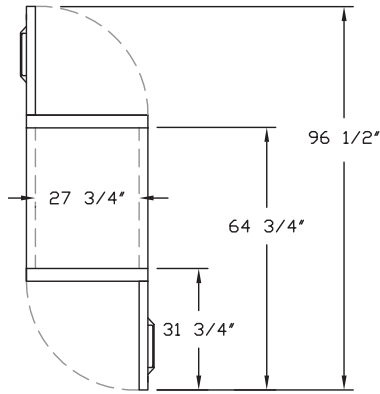


Nor-Lake, Inc.
 Registered to ISO 9001:2008
 File No. 10001816

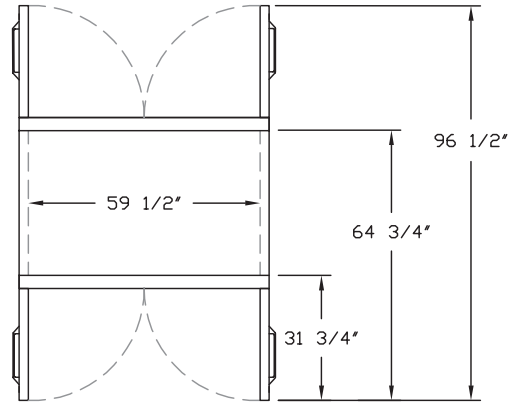
* Most options are available two weeks from receipt of order. Please contact us for specific questions.

** C-L is Underwriters Laboratories Safety Certification Mark which indicates that UL has tested the equipment to applicable CSA Standards.

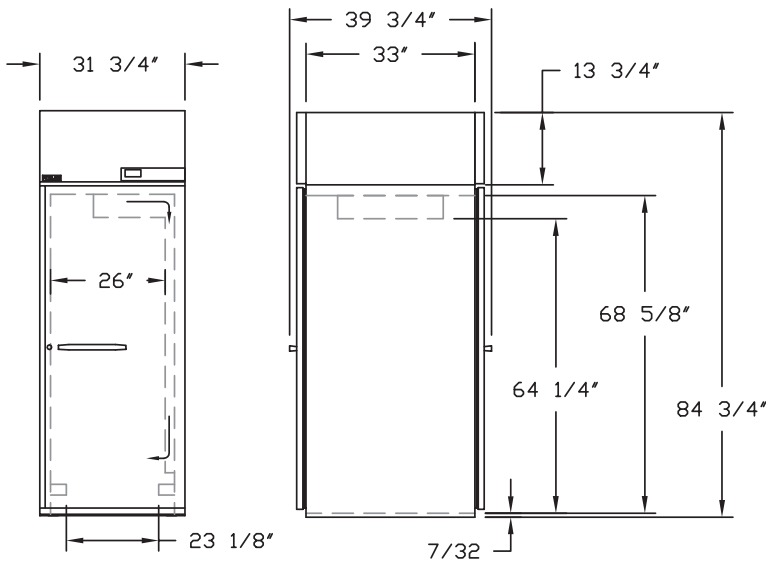
** UL Sanitation is Underwriters Laboratories Sanitation Mark which indicates that UL has tested the equipment to applicable NSF Standards.



TOP
PWW332



TOP
PWW724

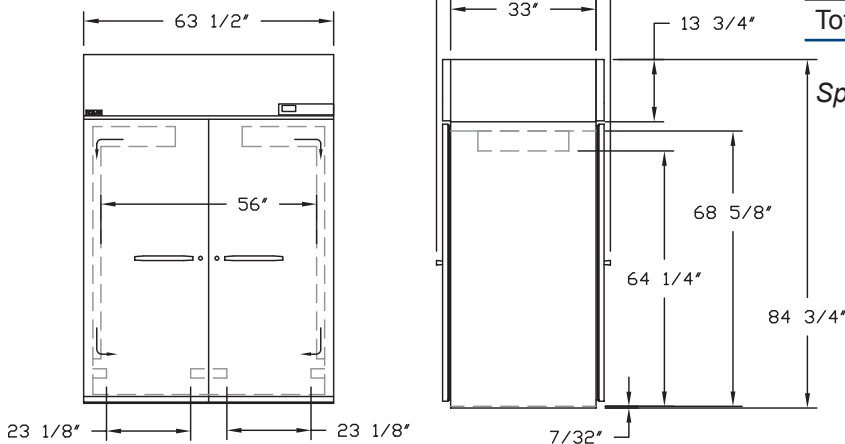


FRONT
PWW332

SIDE

SPECIFICATIONS

	PWW332	PWW724
Crated Height	89"	89"
Crated Width	35-1/2"	67"
Crated Depth	42"	42"
Crated Weight (lbs)	375	575
Interior Height	68-5/8"	68-5/8"
Interior Width	27-3/4"	59-1/2"
Interior Depth	33"	33"
Overall Height	84-3/4"	84-3/4"
Overall Width	31-3/4"	63-1/2"
Overall Depth	39-3/4"	38-3/4"
Gross Cubage (ft.3)	36.4	78.1
Ramp Incline (deg.)	7°	7°
Heater Wattage	1500	3000
Electrical Characteristics	115/60/1	208-230/60/1
Cord & Plug Furnished	Yes	No
Maximum Fuse Size	20	20
NEMA Plug Configuration	5-20P	N/A
Total Amp Draw	12.5	15.2



FRONT

PWW724

SIDE

Specifications subject to change without notice.



Revision Date: 11/12
© 2012 NOR-LAKE, INC.
Printed in the U.S.A.
Part Number: 116934

